



User Guide

Description	Part Number
Short Support Rod Kit	AS4.P500.004-S
Long Support Rod Kit	AS4.P500.004-L

NOTE:

Short Support Rod Kit [AS4.P500.004-S] is for installations where a rod length in a range from 10.25" up to 16.25" is needed.

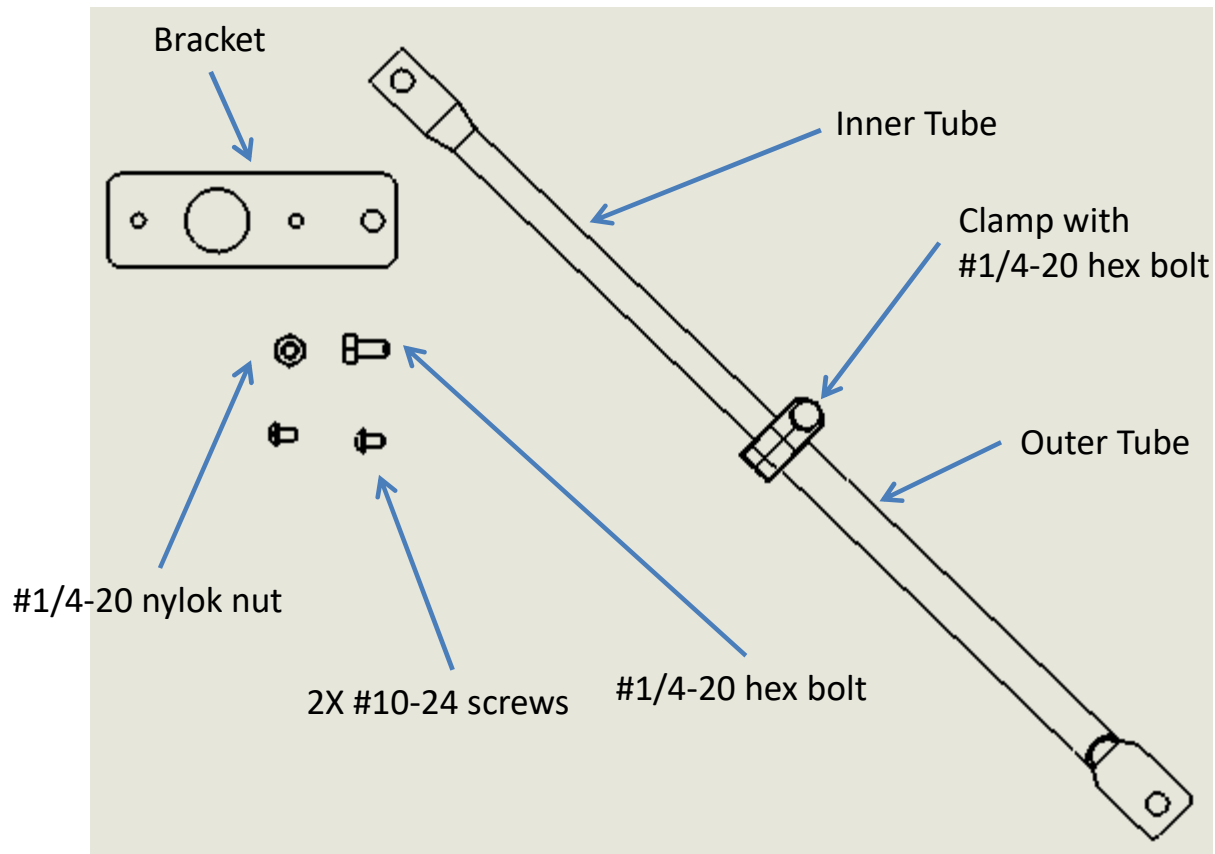
Long Support Rod Kit [AS4.P500.004-L] is for installations where a rod length in a range from 10.25"* up to 35.25" inches is needed.

**Lengths less than 29.25" require cutting.

www.precisionmounts.com

call us at 1-888-869-7652 | info@precisionmounts.com

Description of Parts and Layout



NOTE:

- Support Rod Kit might be installed to already installed vehicle pedestal mount (mount not included in this kit).
- When positioning the Short Support Rod, do not exceed a length of 16.25". It is recommended that the inner and outer tubes have minimum of 1" of overlap.
- When positioning a Long Support Rod, it may be necessary to cut the inner tube to a length suitable for your installation. It is recommended that the inner and outer tubes have minimum of 2" and a maximum of 6" overlap.

Installing the Support Rod

Step 1:

Remove the 2X #10-24 screws (shown in the Figure 1 aside) and the strap belts from the Baseline Pedestal Vehicle Mount.

Step 2:

Attach the Bracket to the Vehicle Mount using the 2X #10-24 screws provided with the kit. Depending on where you want mount the support rod, the Bracket can be flipped such that the mounting hole for the rod is to the right or the left. (see Figure 2 below)

Step 3:

Attach the bracket to the Inner Tube using the #1/4-20 hardware provided. DO NOT tighten at this time. Slide the Inner tube into the Outer Tube and slide the Clamp to the center as shown. DO NOT tighten.

Step 4:

Attach the other end of the Outer Tube to the vehicle using customer supplied hardware. If needed, bend the tabs on the Support Rod to achieve desired mounting location.

Step 5:

Tighten all the hardware.

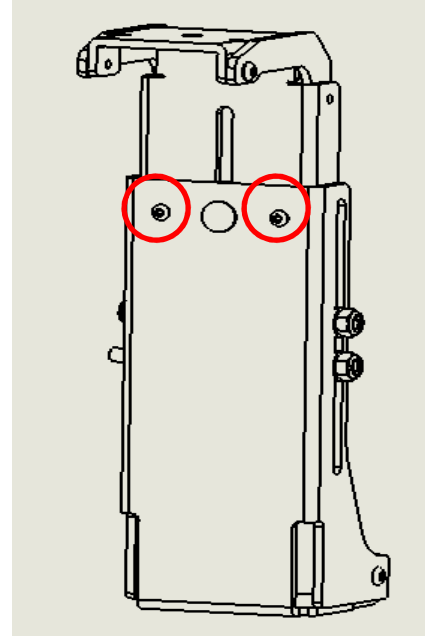


Figure 1

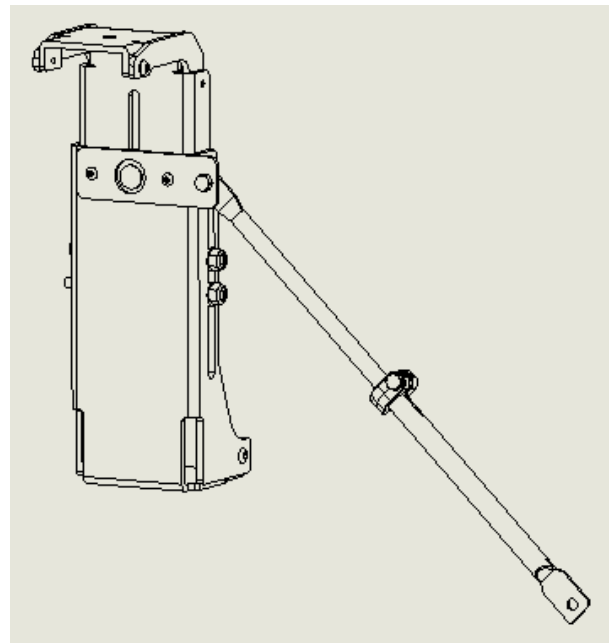


Figure 2