



UNIVERSAL TABLET CRADLE USER GUIDE

Description	Part Number
Universal Tablet Cradle (UTC)	AS7.U102.100
UTC with Alternate Clamps	AS7.U102.101
UTC for HP Elite X2	AS7.U102.102
UTC for HP Elite X2 with Case	AS7.U102.102-1
UTC for Samsung Galaxy Tab S2	AS7.U102.103
UTC for ECOM TAB1	AS7.U102.104
UTC for Samsung Galaxy Tab Active Pro	AS7.U102.105

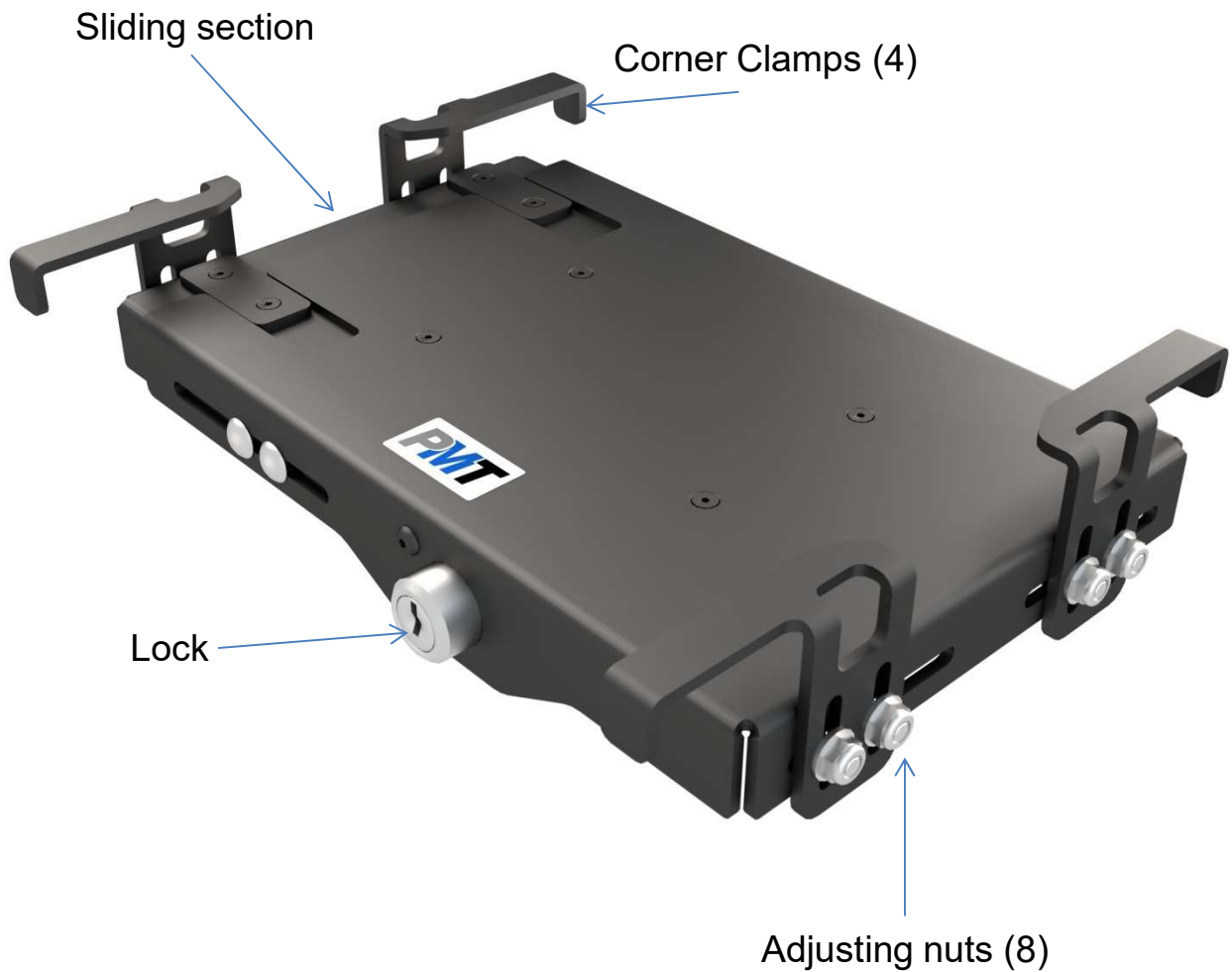
Tool(s) Required:

- 3/8" Wrench
- Cable Ties



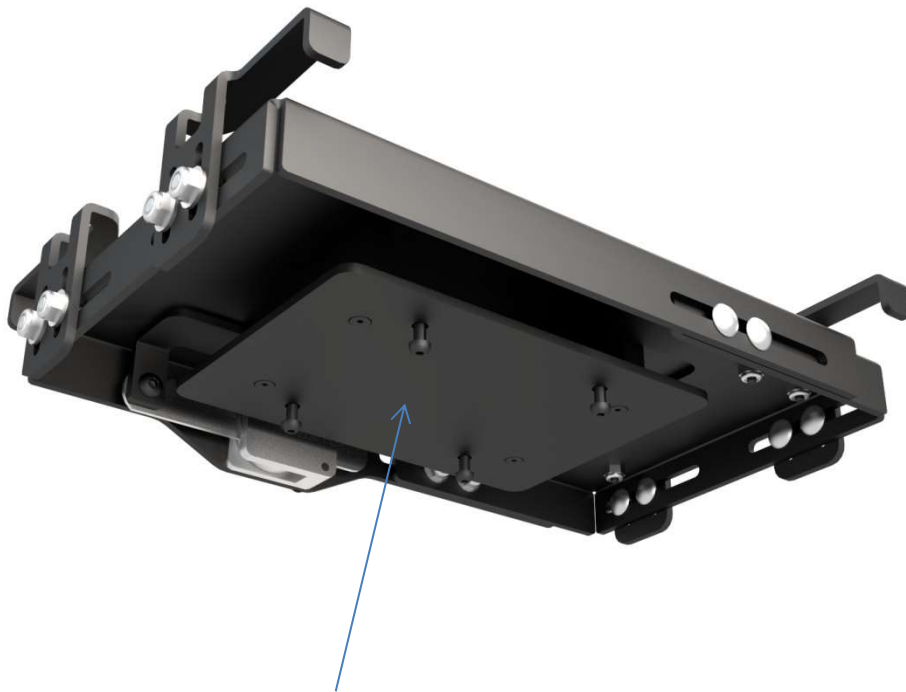
DESCRIPTION OF PARTS AND LAYOUT

Top View



DESCRIPTION OF PARTS AND LAYOUT

Bottom View



VESA 75mm x 75mm interface / mounting plate (M4 threaded inserts)

ADJUSTING CRADLE FOR FIRST USE



Step 1:

- Unlock cradle by turning key horizontal to the left
- Open cradle by pulling the sliding section outwards



Step 2:

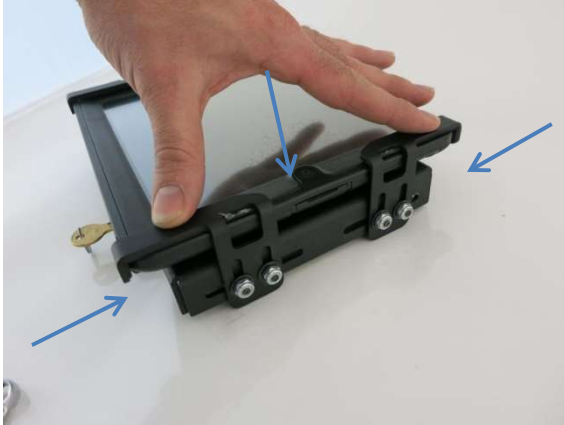
- Loosen the adjusting nuts with 3/8" wrench so that the corner clamps can move freely



Step 3:

- Insert the tablet into the fixed side of the cradle

ADJUSTING CRADLE FOR FIRST USE



Step 4:

- Position the tablet so it is centered
- Press the corner clamps down and together so the clamps are resting against the tablet



Step 5:

- Tighten the adjusting nuts to secure their position
- Ensure clamp hooks lay flat against the tablet



Step 6:

- Close the sliding section until it contacts the tablet
- Repeat steps 4 & 5 for the clamps located on the sliding section

ADJUSTING CRADLE FOR FIRST USE



Part# AS7.U102.001

Step 4 (Optional):

If the size of the tablet you are using is larger than what our standard universal tablet cradle can accommodate, you can utilize a “fit kit” to adjust the range the cradle will accommodate. Fit kits are available from PMT at an extra cost



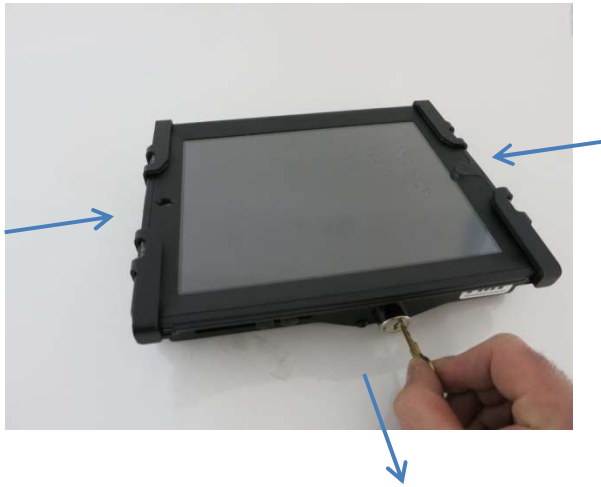
Remove existing carriage bolts and replace with longer versions from fit kit. Install 2 spacers in between cradle and corner clamps on non-sliding section side of the cradle. If you need more width, repeat the process on the sliding section



Tip:

Reverse the orientation of the adjusting nuts so that the nut is on the inside of the UTC for a cleaner/more ergonomic install (works with or without fit kits)

USING THE UNIVERSAL TABLET CRADLE



Locking:

- With the cradle now adjusted and all nuts tightened, the tablet can be fully secured by locking the cradle
- Turn the key vertical and remove the key
- Close the sliding section tight against the tablet, you should hear a distinct click when it locks



Unlocking:

- Unlock the cradle with the key
- Pull the sliding section outward
- Slide the tablet out of the clamps in the fixed section of the cradle
- Remove the tablet

MOUNTING



VESA 75

The standard mounting/interface plate that comes with the cradle features an industry standard VESA 75mm x 75mm hole pattern (M4 threaded inserts). This allows easy mounting to many pre-existing mounts as well as dedicated mounts from PMT.

WIRING

- Secure all cables with cable ties to prevent strain/entanglement
- PMT recommends powering vehicle cradles by hard wiring, using a clean ground direct from the vehicle battery (-) post, and (+) supply from a fused 12v location also directly from the vehicle battery.
- We do NOT recommend relying on a cigarette socket adaptor for powering vehicle cradles.
- All peripherals connecting to the docking station should get power and ground from the same location as the dock.

Visit www.precisionmounts.com/faqs for a copy of our general wiring and troubleshooting guide