



Universal Laptop Cradle

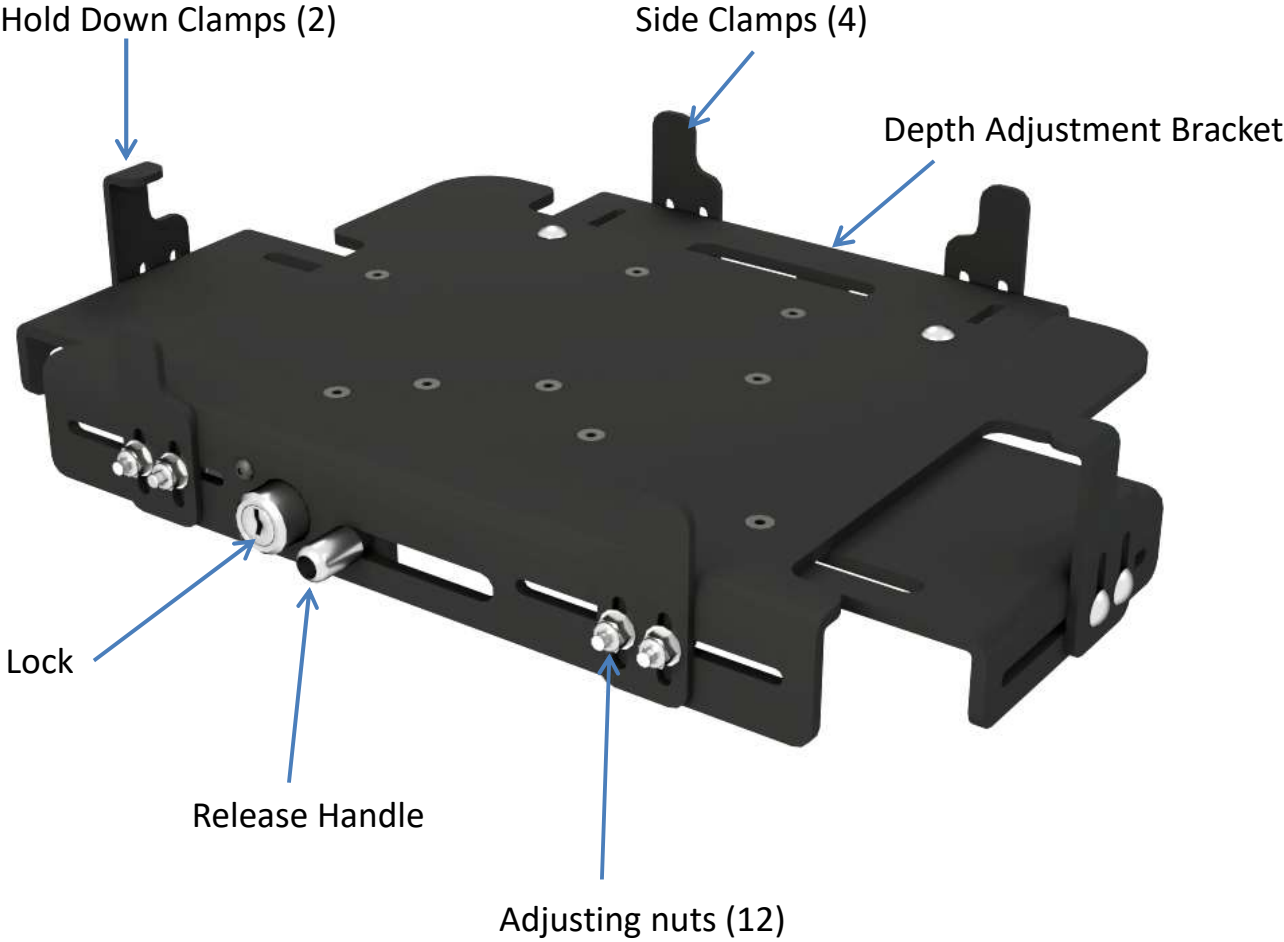
User Guide

Description	Part Number
UNIVERSAL LAPTOP CRADLE	AS7.U101.100
UNIVERSAL LAPTOP CRADLE WITH 1" LONGER SIDE CLAMPS	AS7.U101.101
UNIVERSAL LAPTOP CRADLE FOR THIN WIDESCREEN	AS7.U101.102
UNIVERSAL LAPTOP CRADLE PRE CONFIGURED FOR DURABOOK S14 LAPTOP (NO ADJUSTMENTS REQUIRED)	AS7.U101.104

www.precisionmounts.com

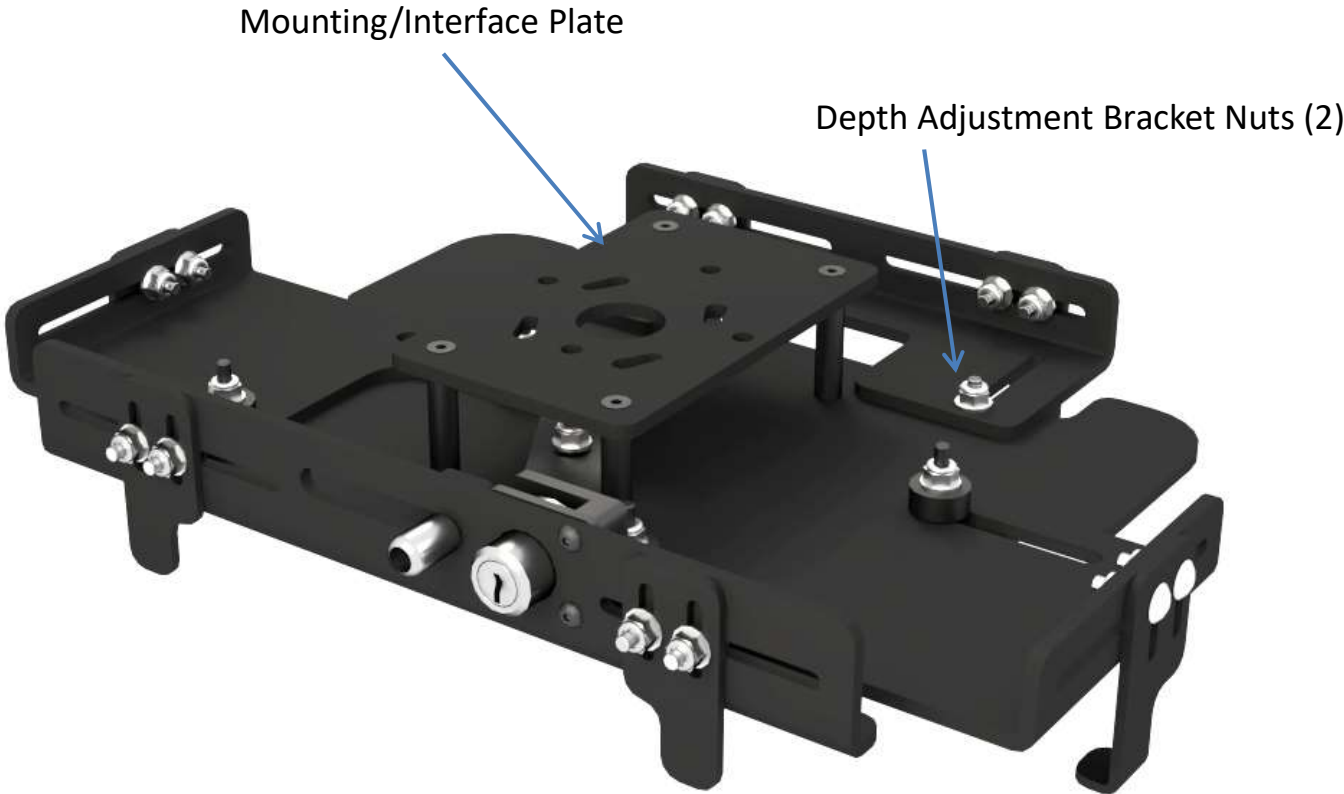
Description of Parts and Layout

Top View



Description of Parts and Layout

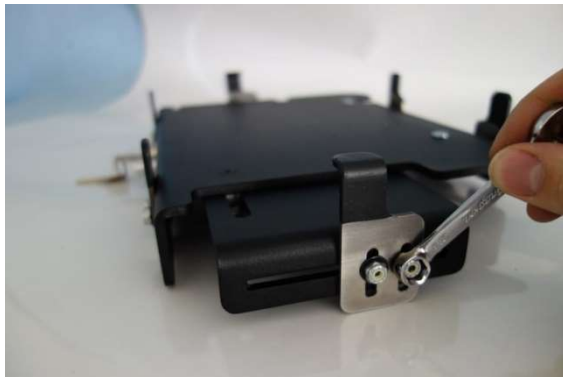
Bottom View



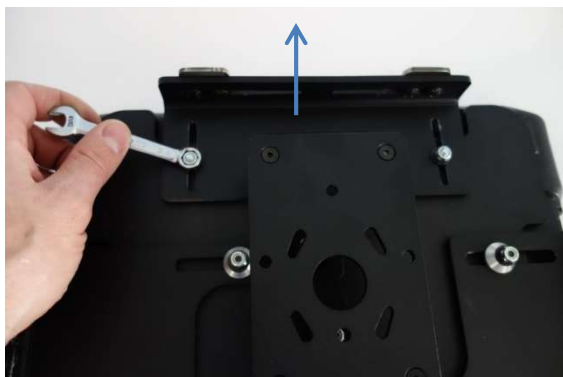
Adjusting Cradle for First Use/Fitment



Step 1:
Unlock cradle by turning key horizontal, then open cradle by squeezing the release handle towards the lock



Step 2:
Using a 3/8" wrench, loosen the nuts on the side and hold down clamps so they can move freely



Step 3:
With the cradle turned upside down, loosen the nuts for the depth adjustment bracket, and slide the bracket out

Adjusting Cradle for First Use/Fitment Continued



Step 4:

Position the laptop so it is centered on the cradle, then slide it forward towards the front of the cradle resting on the front side clamps



Step 5:

With the screen of the laptop open, slide the release handle to the right (away from lock) which will close the side hold down clamps against the laptop. Ensure that the tops of the clamps sit over the top edge of laptop



Step 6:

Position the side hold down clamps so that they avoid any required ports or buttons on the laptop. Tighten the nuts while the clamps are resting on the top edge of the laptop

Adjusting Cradle for First Use/Fitment Continued



Step 7:

Position the back side clamps so that they do not interfere with any necessary ports or buttons, and so they are as far apart as possible. Ensure that the tops of the clamps do not interfere with the laptop screen when open, then tighten the nuts



Step 8:

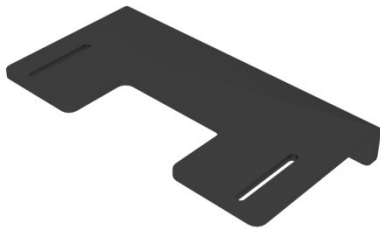
Turn the cradle over (with the laptop) and slide the depth bracket down so that the side clamps are resting against the laptop, then tighten the 2 nuts. (Ensure the laptop is also tight against front clamps)



Step 9:

Position the front clamps so they do not interfere with any necessary ports or buttons and so they are as far apart as possible. Ensure that the top of the clamps do not interfere with the screen when it is closed then tighten the nuts

Adjusting Cradle for First Use/Fitment Continued



Step 10(optional):

If the size of the laptop you are using is larger than what our standard Universal Laptop Cradle can accommodate, you can utilize a “Depth Fit Kit” to increase the min and max depth range the cradle will accommodate by 1 ¾”. Fit Kits are available from PMT at an extra cost.

Part# AS7.U101.002-1



Remove existing bracket from cradle by removing the 2, 3/8” nuts then replace with the deeper bracket from the fit kit. Remove the side clamps from the original bracket and re-install on the new bracket

You have now successfully setup your Universal Laptop Cradle for use



Tip:

Reverse the orientation of the nuts on the side clamps so that the nut is on the inside of the ULC for a cleaner/more ergonomic install (works with or without fit kits).

Using the Universal Laptop Cradle



Locking:

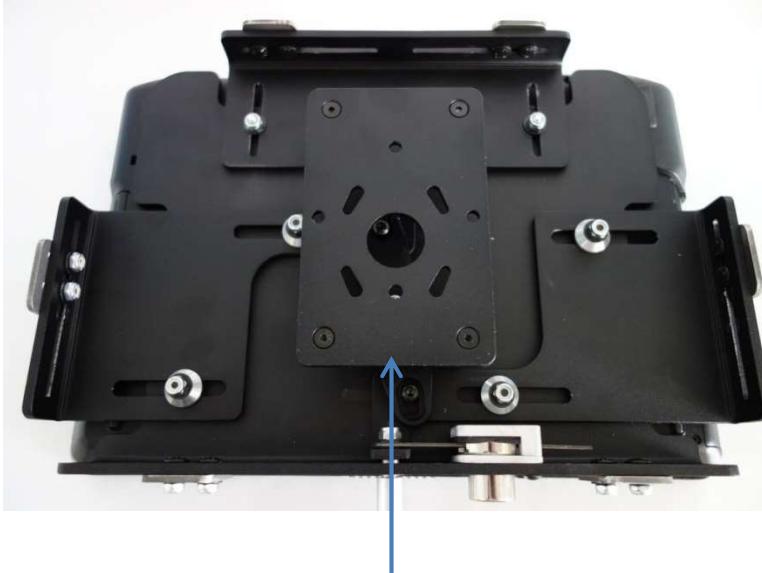
With the cradle now adjusted and all nuts tightened completely, the laptop can be fully secured by locking the cradle (key vertical), removing the key, then sliding the release handle away from the lock



Unlocking:

To remove the laptop simply unlock the cradle with the key (key horizontal), then slide the release handle towards the key. You can now remove the laptop from the cradle

Mounting



Secure all cables with cable ties where possible to reduce strain and prevent entanglement.

The standard mounting/interface plate that comes with the cradle features many common industry standard hole patterns. This allows easy mounting to many pre-existing mounts as well as dedicated mounts from PMT.

Wiring Tip:

PMT does not recommend relying on a cigarette socket adaptor for powering vehicle cradles. We recommend hard wiring using a good clean ground direct from the vehicle battery (-) post, and (+) supply from a fused 12v location also directly from the vehicle battery. All Peripherals connecting to the docking station should get power and ground from the same location as the dock.

Visit www.precisionmounts.com for a copy of our general wiring and troubleshooting guide.



For more info visit: www.precisionmounts.com

Or call us at 1-888-869-7652
info@precisionmounts.com