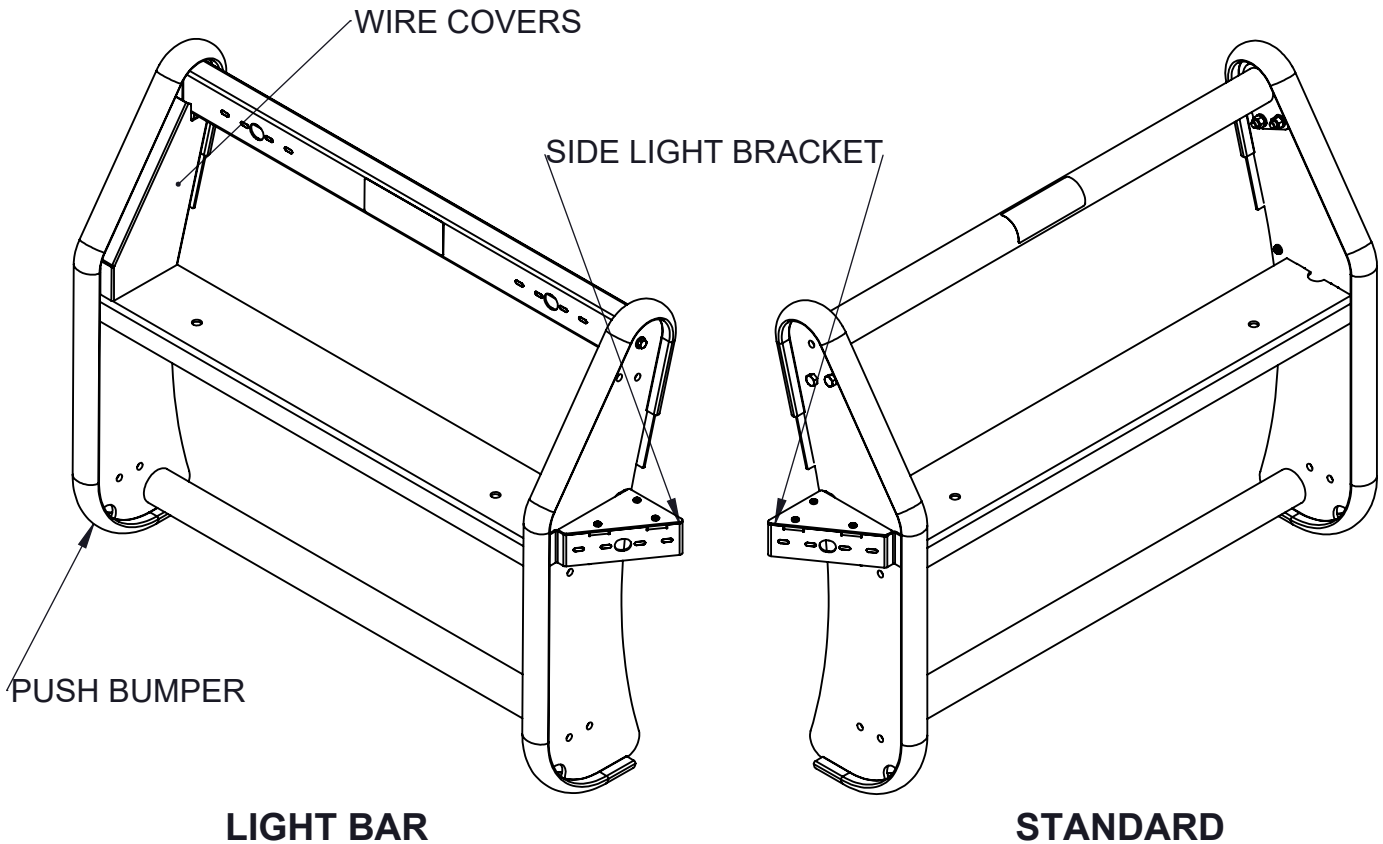




INSTALLATION INSTRUCTIONS

<u>Product</u> 7160-1435 PUSH BUMPER SIDE LIGHT BRACKET	<u>Revision</u> Rev A	<u>Form</u> INST-938 Printing Spec: PS-001
--	---------------------------------	---



These instructions cover the installation of the Gamber-Johnson push bumper side light brackets. The side light brackets can be installed on any size Gamber-Johnson push bumper. The side light brackets can also be installed on both standard and light bar configurations of the push bumper.

Product Mounting Disclaimer

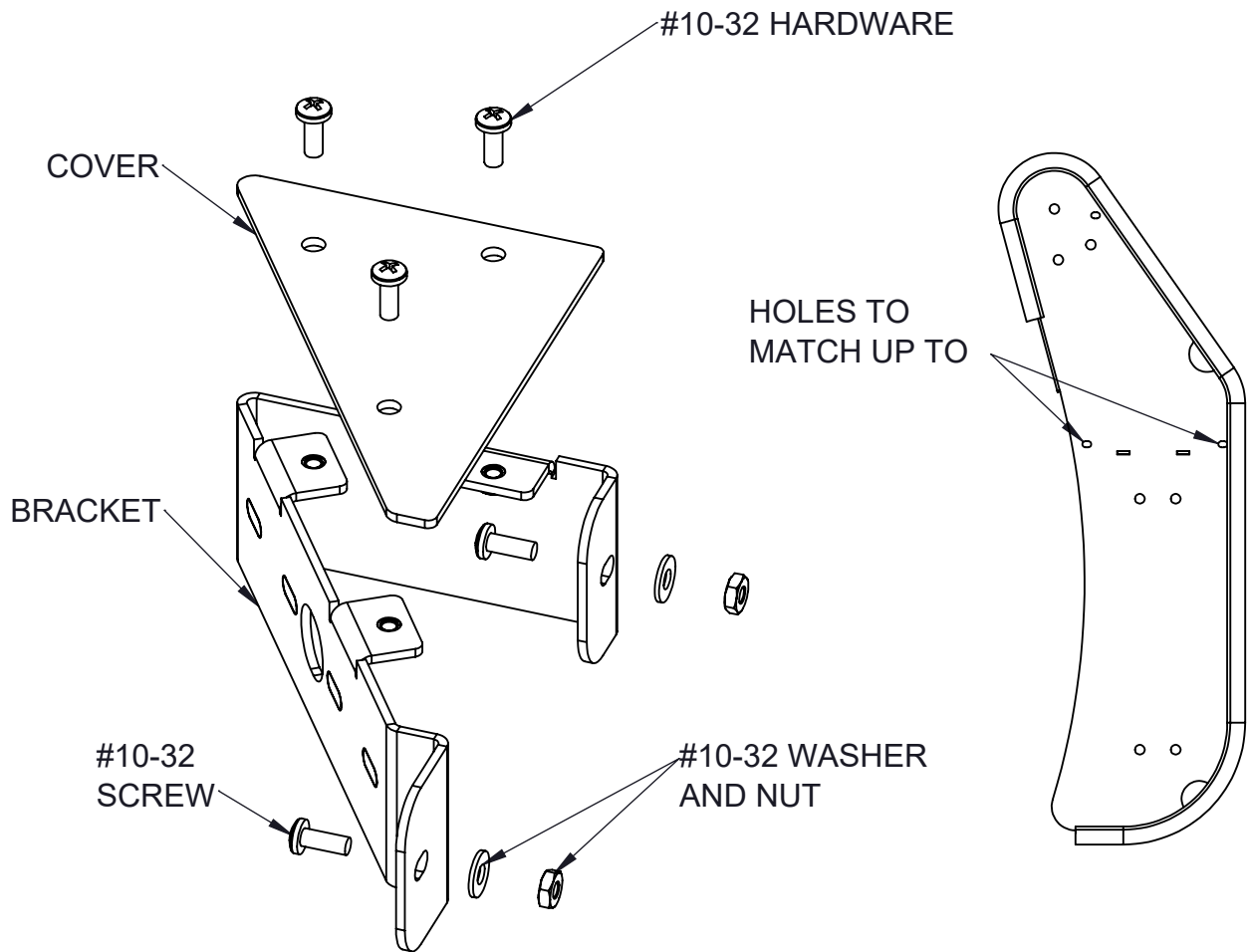
Gamber-Johnson is not liable under any theory of contract or tort law for any loss, damage, personal injury, special, incidental or consequential damages for personal injury or other damage of any nature arising directly or indirectly as a result of the improper installation or use of its products in vehicle or any other application. In order to safely install and use Gamber-Johnson products full consideration of vehicle occupants, vehicle systems (i.e., the location of fuel lines, brake lines, electrical, drive train or other systems), air-bags and other safety equipment is required. Gamber-Johnson specifically disclaims any responsibility for the improper use or installation of its products not consistent with original vehicle manufactures specifications and recommendations, Gamber-Johnson product instruction sheets, or workmanship standards as endorsed through the Gamber-Johnson Certified Installer Program.

© Copyright 2020 Gamber-Johnson, LLC

If you need assistance or have questions, call Gamber-Johnson at 1-800-456-6868

To Install Side Light Bracket:

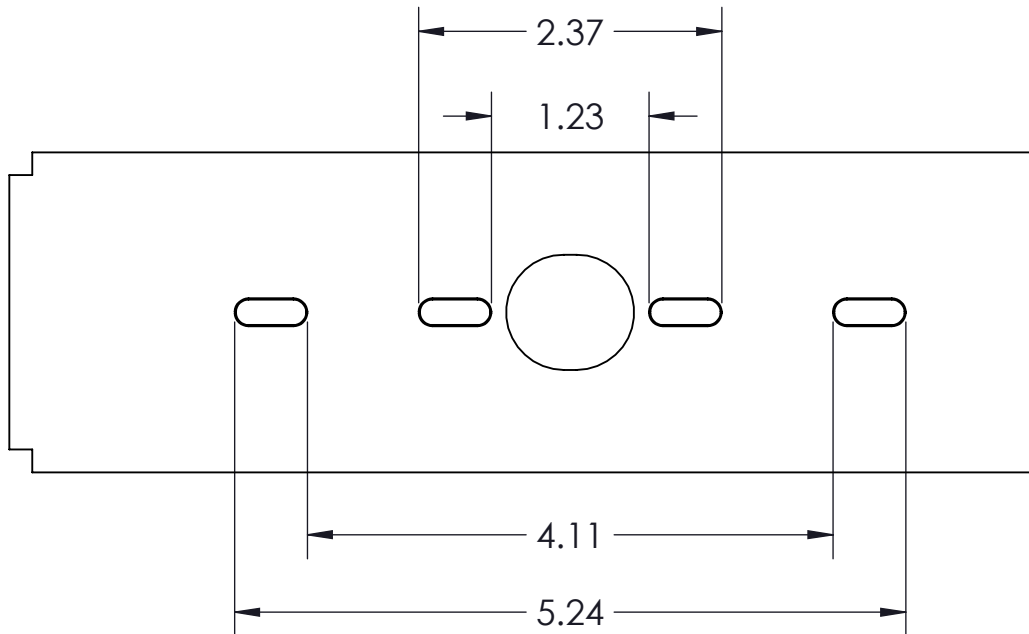
1. Using #10-32 from hardware bag provided, attach bracket to side of Gamber-Johnson push bumper lining up the holes on the bracket to the holes on the side of the push bumper. For light bar configuration, only the screws are used. For standard configuration, the washer and nut are also used.



2. Install light on bracket using light hardware and holes mapped out on page 3. Light can be installed on bracket before or after bracket is installed on push bumper.
3. Once bracket and light are attached to push bumper, attach cover to bracket using #10-32 hardware provided.

To Install Lights on Bar:

1. Knock out the two knockouts that line up with the mounting holes of chosen light. Bolt light onto bar per light instructions.



Acceptable Lights:

1. The light bar knockouts are designed for the following light models:

Code3:	M180 (surface mount)
	MR6 (surface mount)
Federal Signal:	MicroPulse
	MicroPulse Ultra
	MicroPulse Wide Angle
Feneix:	Fusion (surface mount)
Sound Off Signal:	mPower 3" Stud
	mPower 4" Stud
	nForce (surface mount)
Whelen:	ION (surface mount)
	T-ION