



# INSTALLATION INSTRUCTIONS

**Product**

7160-1387-02

FORD PI UTILITY, 2020+, REAR CARGO PARTITION

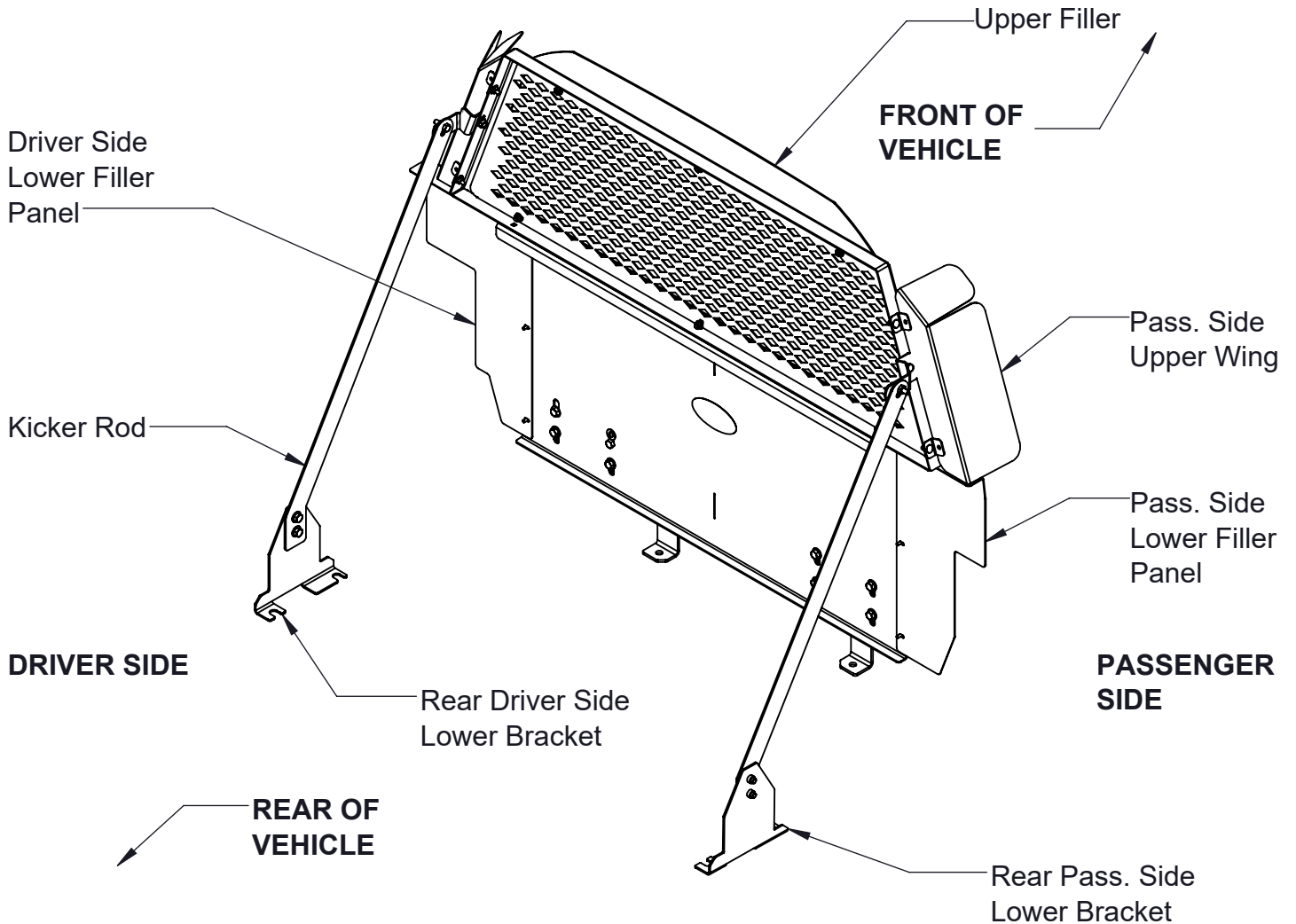
**Revision**

Rev C

**Form**

INST-932

Printing Spec: PS-005



**WARNING: LOCATE WIRING, FUEL LINES, BRAKE LINES, COOLANT LINES AND REFRIGERANT LINES BEFORE DRILLING ANY HOLES OR INSTALLING ANY SELF-DRILLING FASTENERS.**

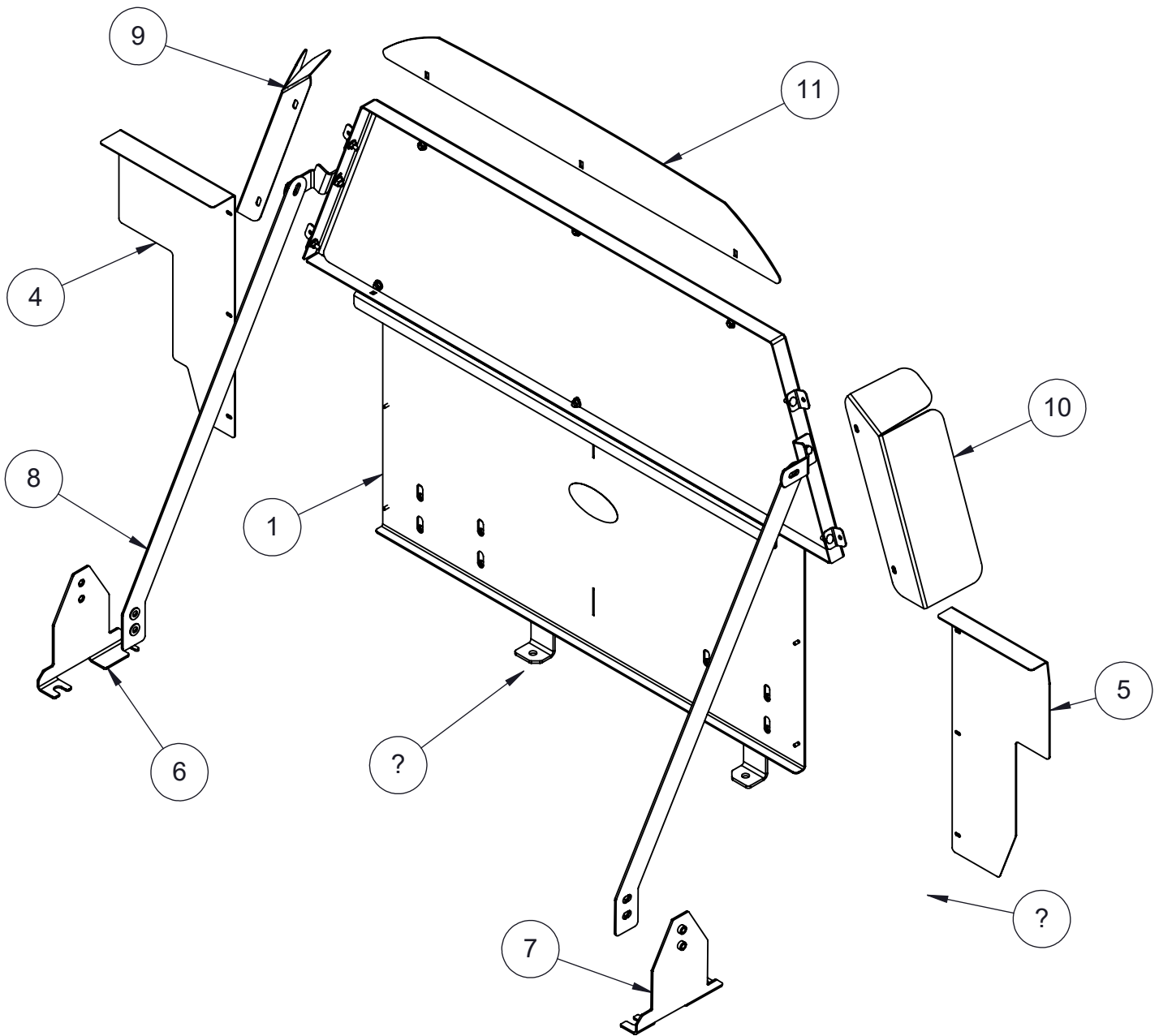
**Product Mounting Disclaimer**

Gamber-Johnson is not liable under any theory of contract or tort law for any loss, damage, personal injury, special, incidental or consequential damages for personal injury or other damage of any nature arising directly or indirectly as a result of the improper installation or use of its products in vehicle or any other application. In order to safely install and use Gamber-Johnson products full consideration of vehicle occupants, vehicle systems (i.e., the location of fuel lines, brake lines, electrical, drive train or other systems), air-bags and other safety equipment is required. Gamber-Johnson specifically disclaims any responsibility for the improper use or installation of its products not consistent with original vehicle manufactures specifications and recommendations, Gamber-Johnson product instruction sheets, or workmanship standards as endorsed through the Gamber-Johnson Certified Installer Program.

© Copyright 2020 Gamber-Johnson, LLC

If you need assistance or have questions, call Gamber-Johnson at 1-800-456-6868

ITEM	QTY	PART NO	DESCRIPTION
1	1	19496	MAIN FRAME
2	1	19283	DRIVER SIDE LOWER BRACKET
3	1	19501	PASSENGER SIDE LOWER BRACKET
4	1	19527	DRIVER SIDE LOWER FILLER PANEL
5	1	19528	PASSENGER SIDE LOWER FILLER PANEL
6	1	19650	REAR DRIVER SIDE LOWER BRACKET
7	1	19648	REAR PASSENGER SIDE LOWER BRACKET
8	2	19651	KICKER ROD
9	1	19548	DRIVER SIDE UPPER WING
10	1	19549	PASSENGER SIDE UPPER WING
11	1	19007	UPPER FILLER



## CARGO AREA PREPARATION:

1. First remove the OEM trunk load panels, the smaller panel is bolted down by 2- T 55 Torx head bolts. (Fig.1)

\* Remove the 2 foam pieces next to the spare tire, use 8mm socket to remove the bolts holding it in place. (Fig.2)



Fig.1

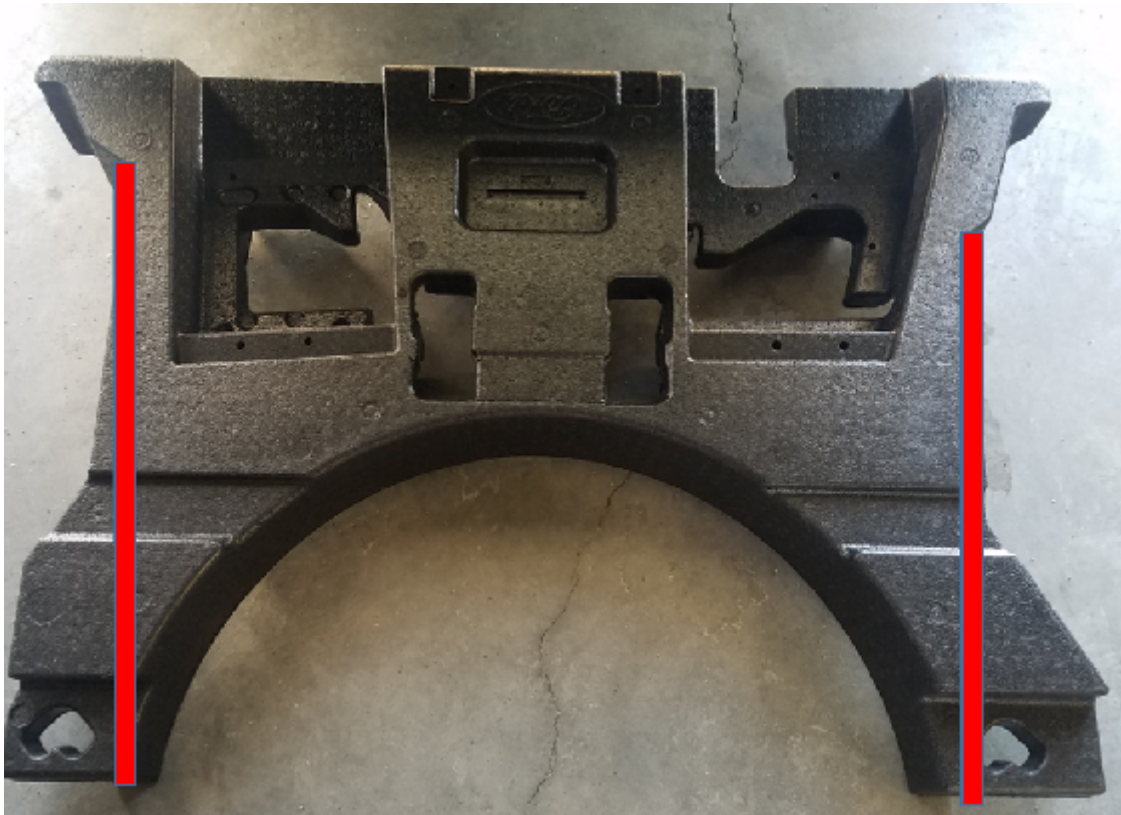
IMAGE FROM REAR END - TORX HEAD BOLTS



Fig.2

IMAGE FROM REAR END - 8MM BOLTS EXPOSED

2. Remove OEM foam in trunk as shown in Fig.3. Cut the foam as along lines, to expose OEM bolts.



**Fig.3 IMAGE SHOWING LINES WHERE TO CUT THE FOAM**

3. Remove Six OEM bolts using 18mm socket both driver & passenger side. (Fig.4, Fig.5, Fig.6). Repeat same step on driver side referring to (Fig.6)



**Fig.4 IMAGE SHOWING SIX OEM BOLTS NEEDED TO BE REMOVED**

**Fig.4 IMAGE  
FROM REAR END  
DRIVER SIDE**



**Fig.5 IMAGE  
FROM  
REAR END  
PASSENGER SIDE**



**NOTE: UNPLUG OEM 12 VOLT POWER SUPPLY TERMINAL AND  
FEED ALL THE WIRES TO THE BOTTOM OF THE FOAM.**

**INSTALLATION LOWER MOUNTING BRACKETS**

4. Place driver side & passenger side lower bracket (Item #2 & 3) in place & tighten to OEM specs using OEM bolts. (Fig.7 & Fig.8). Replace foam back.



**Fig.7 IMAGE FROM REAR END  
INSTALLED DRIVER SIDE  
LOWER BRACKET**

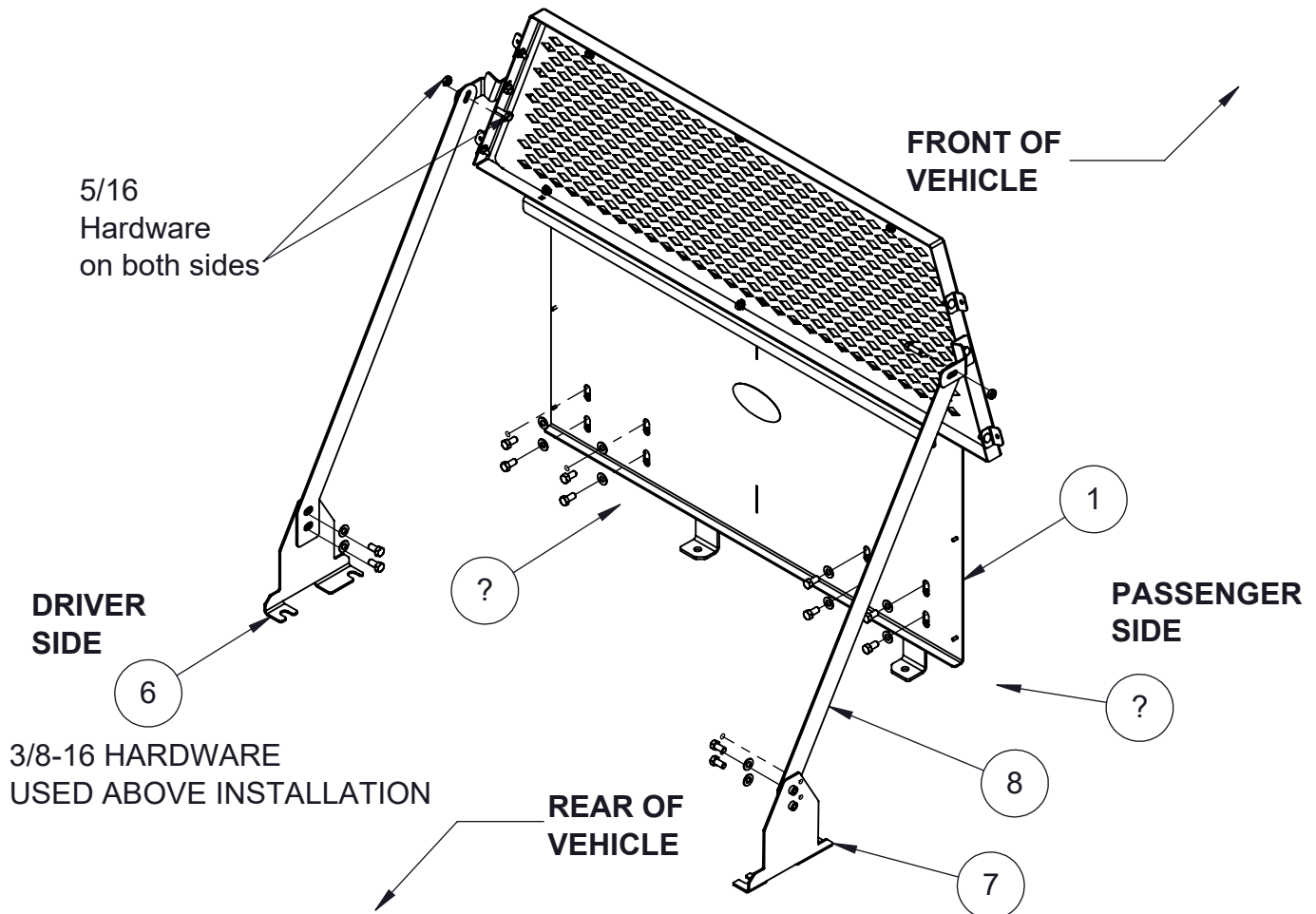


**Fig.8 IMAGE FROM REAR END  
INSTALLED PASSENGER  
SIDE LOWER BRACKET**

5. Install front cargo panel (Item#1) back & tighten it back using the T-55 Torx head bolts.(Fig.9)



**Fig.9 IMAGE FROM REAR END CARGO PANEL INSTALLED**



**Fig.10**

**INSTALLATION OF MAIN CARGO BARRIER**

6. Place main frame ( Item#1) inside vehicle such that label faces towards rear door.

7. Using 3/8-16 hardware provided attach driver & passenger lower brackets ( item#2 & #3) to main frame (item#1). See (Fig.10)

8. Install rear passenger & driver lower brackets (Item #6 & Item#7) and tighten OEM Bolts to OEM specs (Fig.11)



**Fig.11**  
**IMAGE SHOWN FROM REAR END**  
**PASSENGER BRACKET INSTALLED**

9. Attach kicker rods ( Item#8) to the rear driver & passenger side lower brackets ( Item#6 & Item#7) using 3/8-16 hardware provided, (Fig.10 & Fig.13)

10. Attach kicker rods ( Item#8) to main frame (Item#1). See (Fig.10 & Fig.12 ) using 5/8 -16 hardware provided.

11. Ensure main frame (Item#1) is straight & tighten all the bolts.



**Fig.12**

**IMAGE FROM REAR END  
PASSENGER BRACKET INSTALLED**



**Fig.13**

**IMAGE FROM REAR END DRIVER SIDE  
BRACKET INSTALLED WITH KICKER ROD**

#### **INSTALLATION OF WINGS/FILLER PANEL**

12 Using 1/4-20 hardware provided install Driver & Passenger side upper wing ( Item#9 & Item#10) to the main frame (Item #1).See (Fig. 14).



**Fig.14  
IMAGE DRIVER SIDE  
UPPER WING INSTALLED**

13. As shown in Fig.15 & Fig.16 cut the cargo panel accordingly & install it back into vehicle.  
\* *Skip this step if Gamber Johnson Trunk Tray is being installed*

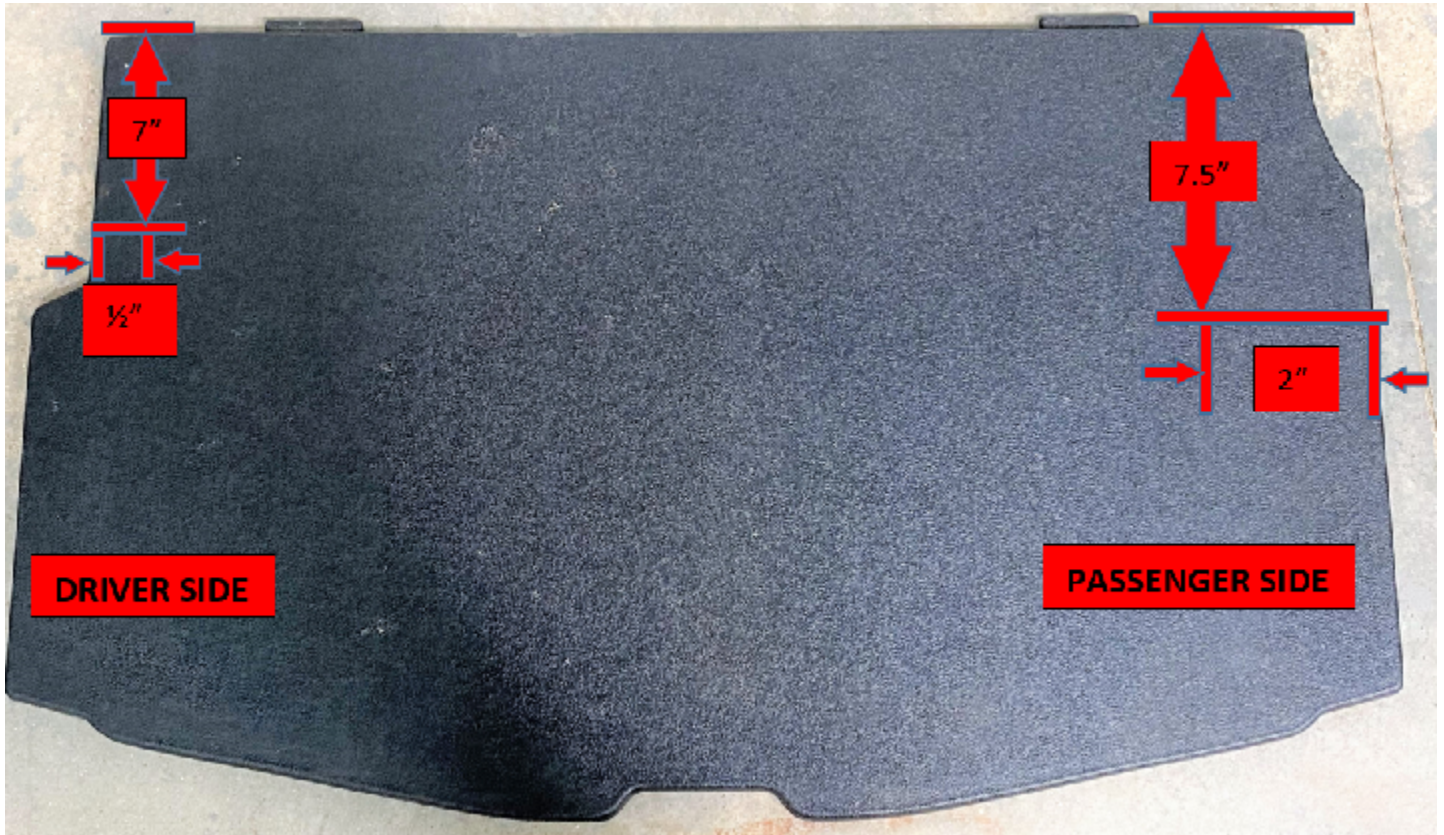


Fig.15

DRIVER SIDE- 7" X 1/2"  
PASSENGER SIDE- 7.5" X 2"





**Fig.17**  
**IMAGE SHOWN FROM REAR END**  
**PASSENGER BRACKET INSTALLED**

14. Using 10-32 hardware nuts provided install the driver and passenger side lower wings ( Item#4 & Item#5) to the main frame (item#1)

15. Remove three 1/4-20 bolts on Main Frame (Item#1) and reinstall upper filler panel (Item# 11)  
See (Fig.17)



**Fig.18**  
**INSTALLATION**  
**COMPLETED**