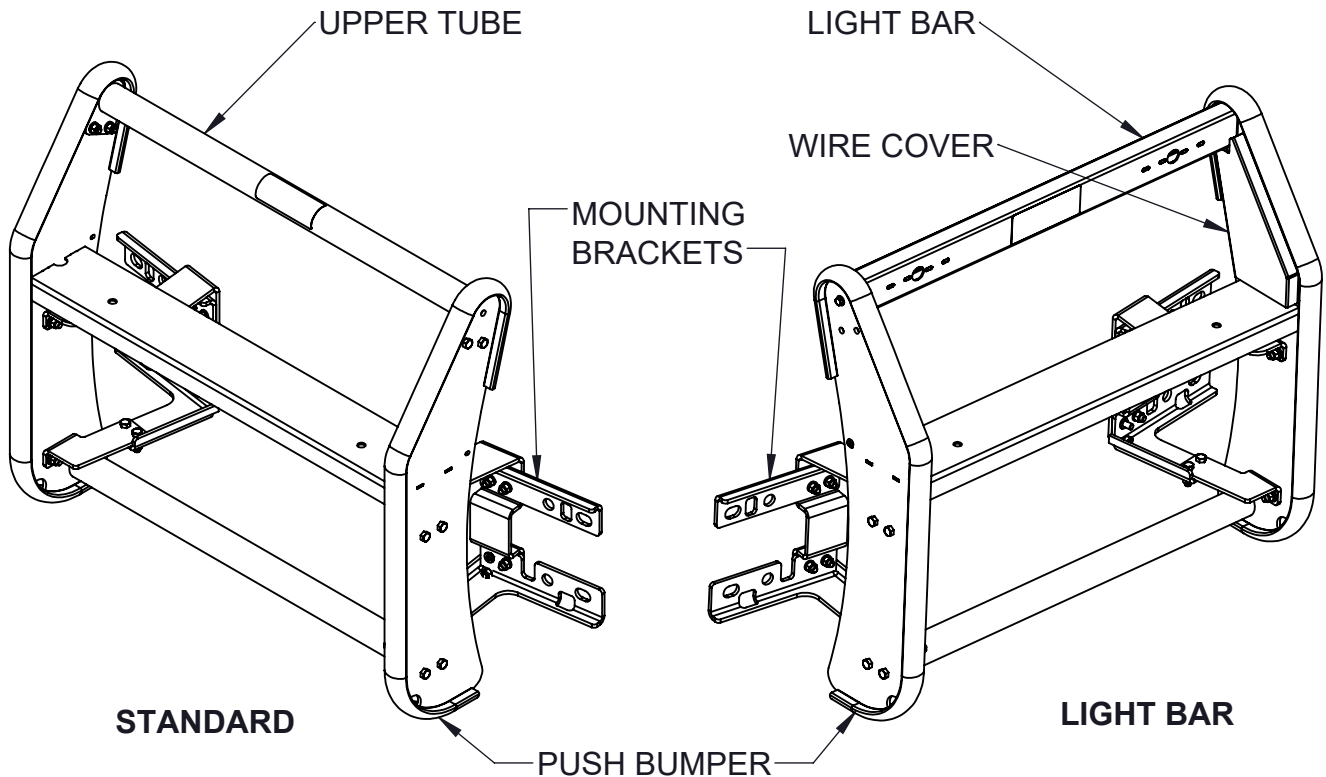




# INSTALLATION INSTRUCTIONS

<u>Product</u>	<u>Revision</u>	<u>Form</u>
7170-0736-01 - STEEL STANDARD BAR 7170-0736-02 - STEEL LIGHT BAR 7170-0736-03 - ALUMINUM STANDARD BAR 7170-0736-04 - ALUMINUM LIGHT BAR	B	INST-929
PUSH BUMPER - FORD PI UTILITY 2020+		Printing Spec: PS-005



These instructions cover the installation of the Gamber-Johnson push bumper on 2020+ FORD PI Utility. The push bumper can be purchased in the standard and light bar configurations. In the standard configuration the push bumper features a bolt in round top bar. In the light bar configuration the push bumper features a flat mounting bar for lights as well as two wire chase covers for routing wires down the sides of the push bumper. Both configurations feature the same push bumper as well as mounting brackets.

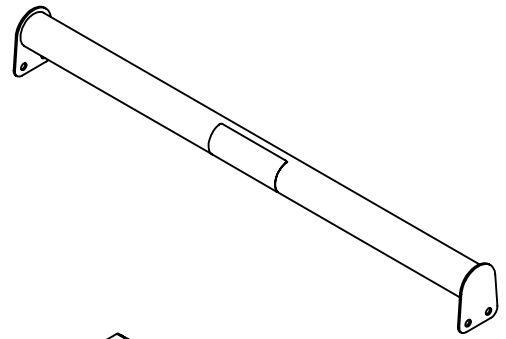
**Product Mounting Disclaimer**

Gamber-Johnson is not liable under any theory of contract or tort law for any loss, damage, personal injury, special, incidental or consequential damages for personal injury or other damage of any nature arising directly or indirectly as a result of the improper installation or use of its products in vehicle or any other application. In order to safely install and use Gamber-Johnson products full consideration of vehicle occupants, vehicle systems (i.e., the location of fuel lines, brake lines, electrical, drive train or other systems), air-bags and other safety equipment is required. Gamber-Johnson specifically disclaims any responsibility for the improper use or installation of its products not consistent with original vehicle manufactures specifications and recommendations, Gamber-Johnson product instruction sheets, or workmanship standards as endorsed through the Gamber-Johnson Certified Installer Program.

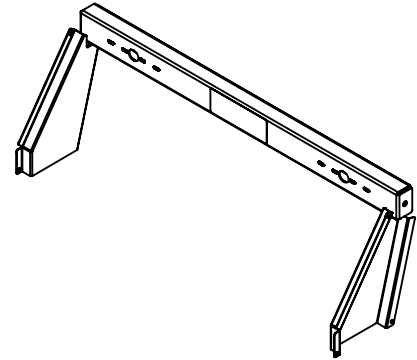
© Copyright 2019 Gamber-Johnson, LLC

If you need assistance or have questions, call Gamber-Johnson at 1-800-456-6868

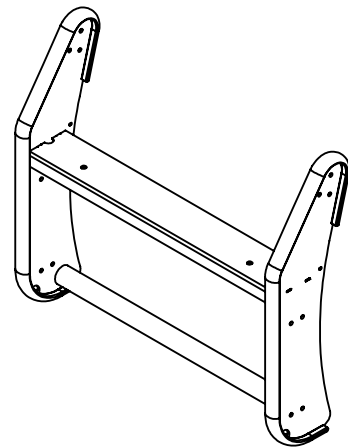
ITEM	QTY	PartNo	DESCRIPTION
1	1	7160-1269	PUSH BUMPER UPPER TUBE (ALUMINUM)
		7160-1122	PUSH BUMPER UPPER TUBE (STEEL)



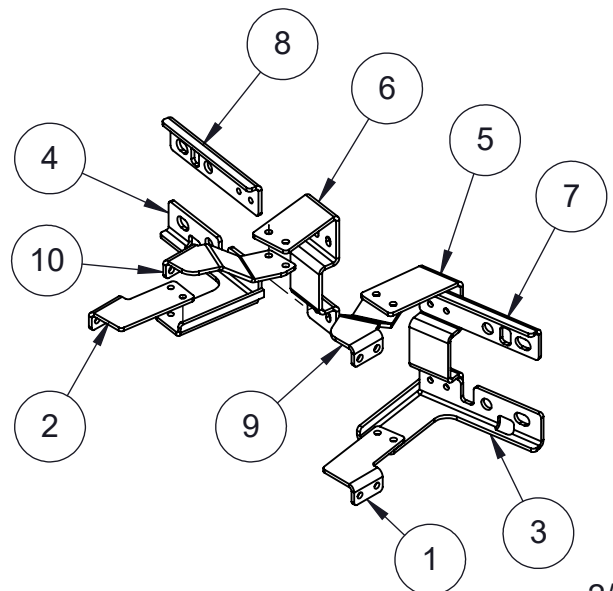
ITEM	QTY	PartNo	DESCRIPTION
1	1	7160-1123	PUSH BUMPER LIGHT BAR (STEEL)
		7160-1271	PUSH BUMPER LIGHT BAR (ALUMINUM)



ITEM	QTY	PartNo	DESCRIPTION
1	1	7160-1427	PUSH BUMPER SUV (STEEL)
	1	7160-1428	PUSH BUMPER SUV (ALUMINUM)



ITEM	QTY	PartNo	DESCRIPTION
1	1	18895	FORD UTILITY PUSH BUMPER DRIVER SIDE LOWER - OUTER
2	1	18914	FORD UTILITY PUSH BUMPER PASSENGER SIDE LOWER - OUTER
3	1	18858	FORD UTILITY PUSH BUMPER DRIVER SIDE LOWER - INNER
4	1	18910	FORD PUSH BUMPER PASSENGER SIDE LOWER - INNER
5	1	18897	FORD PUSH BUMPER CARRIER DRIVER SIDE
6	1	18913	FORD PUSH BUMPER CARRIER PASSENGER SIDE
7	1	18896	FORD PUSH BUMPER DRIVER SIDE - UPPER
8	1	18911	FORD PUSH BUMPER PASSENGER SIDE - UPPER
9	1	18908	FORD PUSH BUMPER DRIVER SIDE - UPPER
10	1	18912	FORD PUSH BUMPER PASSENGER SIDE - UPPER
11	1	7120-0927	HARDWARE BAG - PUSH BUMPER FORD PI UTILITY 2020+



## REMOVING FRONT OEM FASCIA:

1. Open engine bay by pulling lever on driver side 2 times, then remove 4 flange bolts on top of front fascia with 10mm socket.



Fig. 1

2. On bottom of front fascia there are 5 more flange bolts in the center and 2 in front of each wheel (Blue Arrow), remove them with 7mm socket



Fig. 2

3. On the driver side remove 4 flange bolt in wheel well with 7mm socket and 3 plastic push-in clips that hold wheel well liner, pull back the liner.

\*For easier access turn the wheel



Fig. 3

4. With the driver side wheel well liner pulled back, there 2 more bolts in the fascia remove with 10mm socket and repeat step 3 & 4 on the passenger side.



Fig. 5

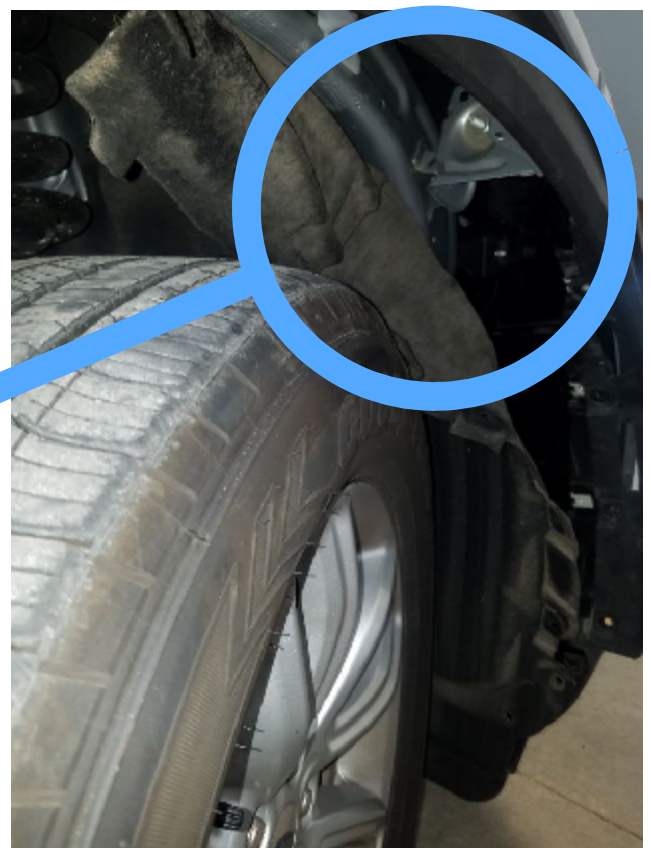


Fig. 4

5. With bolts removed, remove fascia by lifting up the top of fascia, there are 2 clips (blue arrow) holding fascia, lift up and pull forward on fascia to remove it from vehicle.



Fig. 6

6. With the Front fascia removed, you can now remove the upper and lower air inlet (Yellow Arrow)

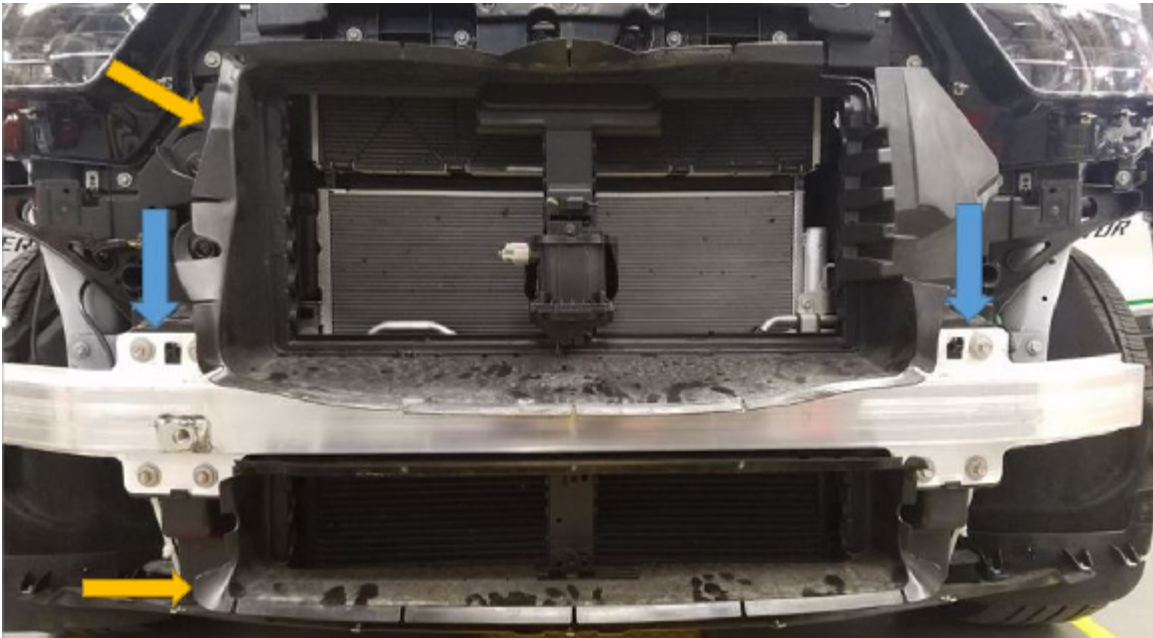


Fig. 7

7. Trim the upper air inlet, from the lower corners cut 3" horizontally and 2.5" vertically, as shown below.



Fig. 8

Then trim lower air inlet, cut from top corners 5" horizontally and 3" vertically, as shown below  
After trimming both air inlets, reinstall back on the vehicle



\* bottom of air inlet, with square shape

Fig. 9

8. Remove bolts that hold the bumper bar ( blue arrow) with 13MM socket, do not remove the bumper bar.

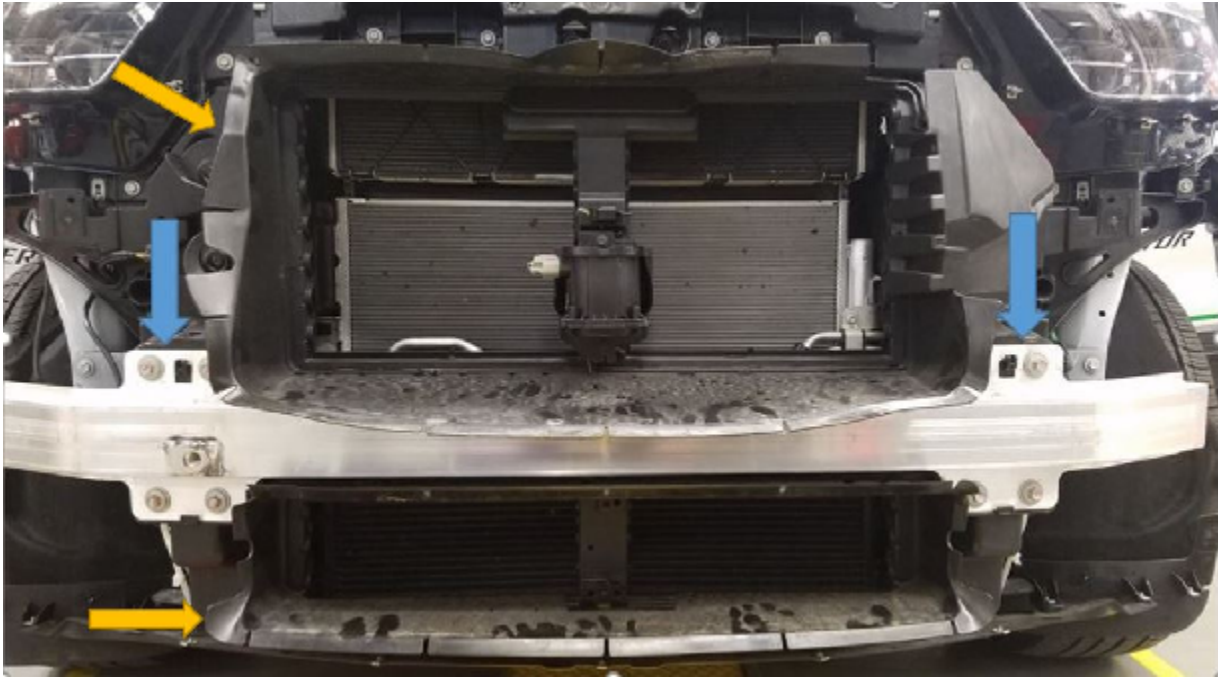
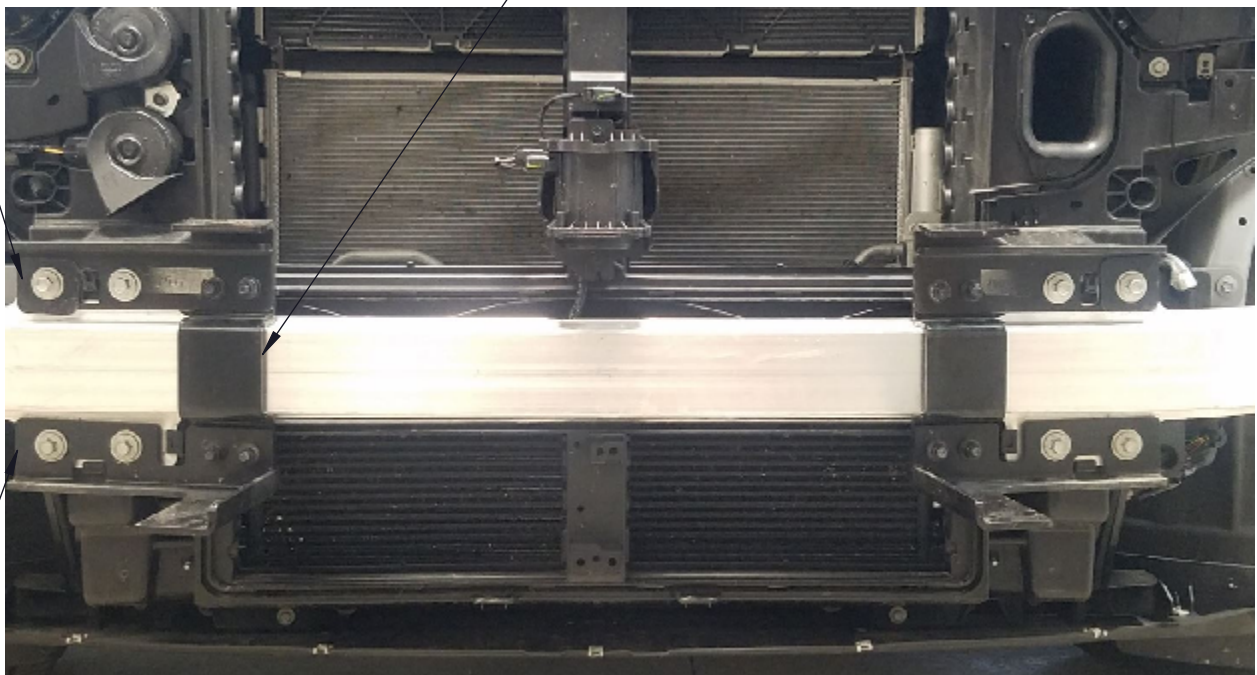


Fig. 10

- Install upper and lower brackets to bumper with OEM bolts (as shown Fig. 11)
- Install brackets with provided 3/8 bolts - washer - "bracket" - lockwasher - 3/8 nut
  - \*the vertical bracket installs behind the Upper & lower bracket
- Torque the OEM bolts to OEM spec and tighten down G8 3/8 bolts
- \*for Bracket Layout see next page.

Upper Bracket

Vertical Bracket



Lower Bracket

Fig. 11

Inner bumper bracket layout, all bracket are installed with provided hardware  
G8 3/8 bolts - washer - "bracket" - lock washer - G8 3/8 nut.

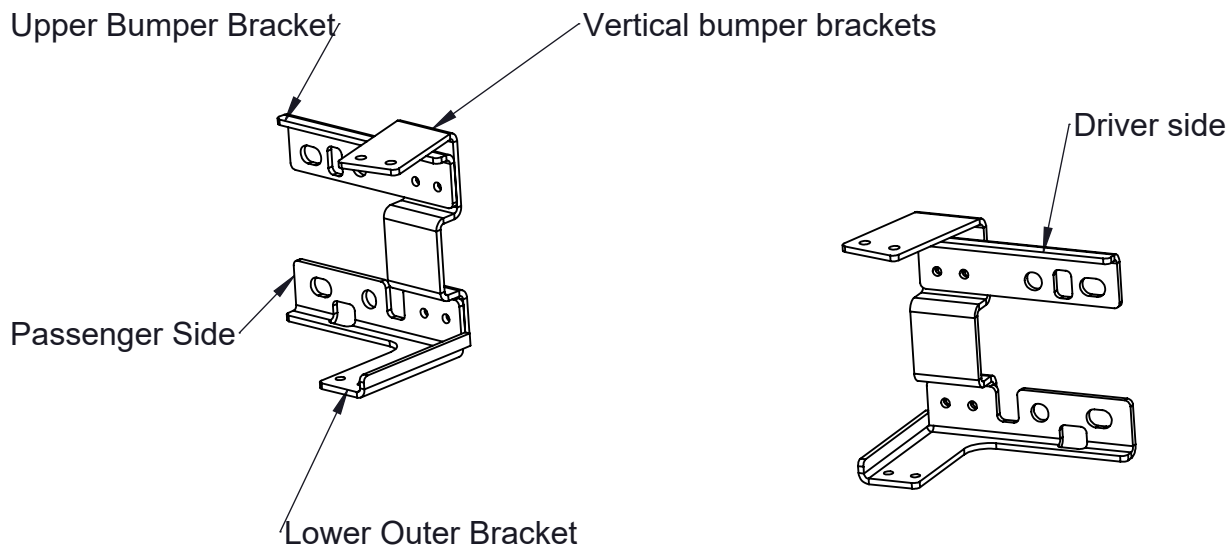


Fig. 12

9. Bumper Modification -

Trim away the lower grill as shown in Fig. X, cut away 3" wide section on both side of middle section.

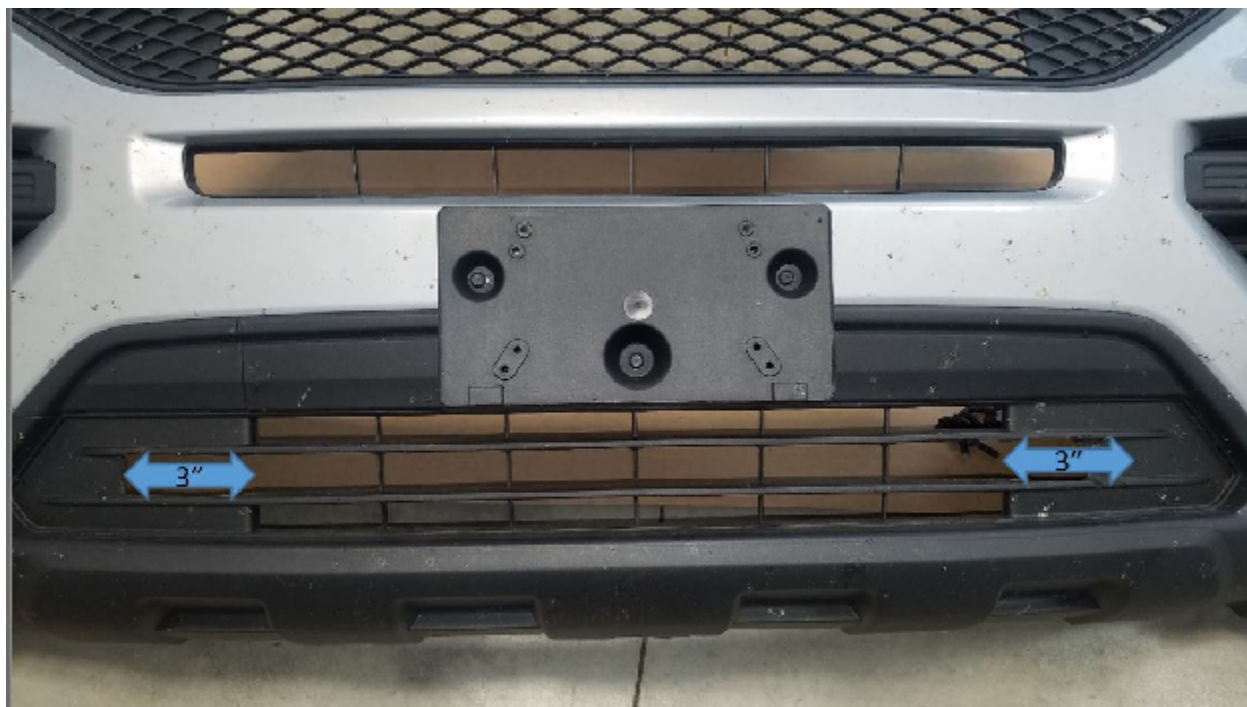


Fig. 13



10. After completing modification of front fascia, tighten down all inner bracket hardware, then install the front fascia.  
-when reinstalling the OEM fascia align the OEM tabs on the side and make sure the upper bracket go through the upper opening and the lower bracket slide through the cut out (blue arrow).



Fig. 14

11. With the OEM Fascia in place, attached Upper & Lower outer push bumper bracket as shown below with the provided 3/8-16 hardware.

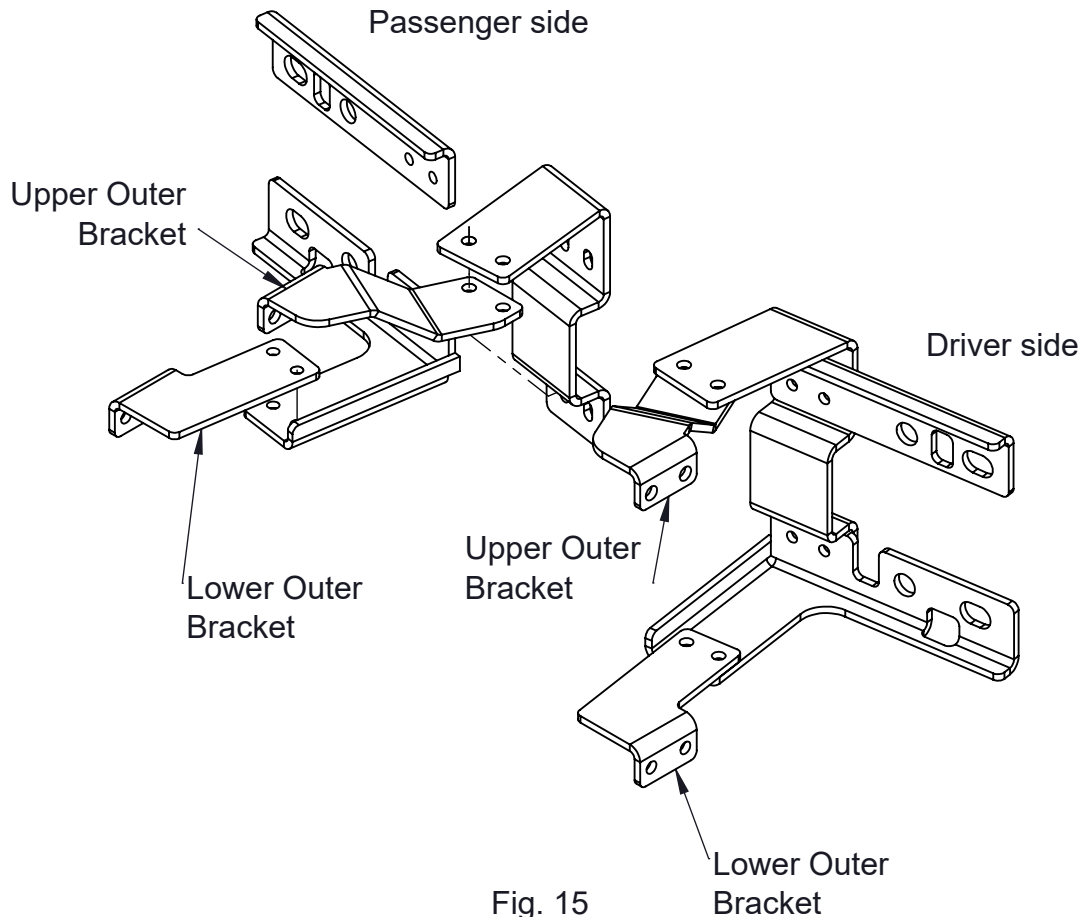


Fig. 15

12. With the Outer Bracket bolted on, bolt the Push Bumper on the bracket with provided 3/8 hardware.



Fig. 16

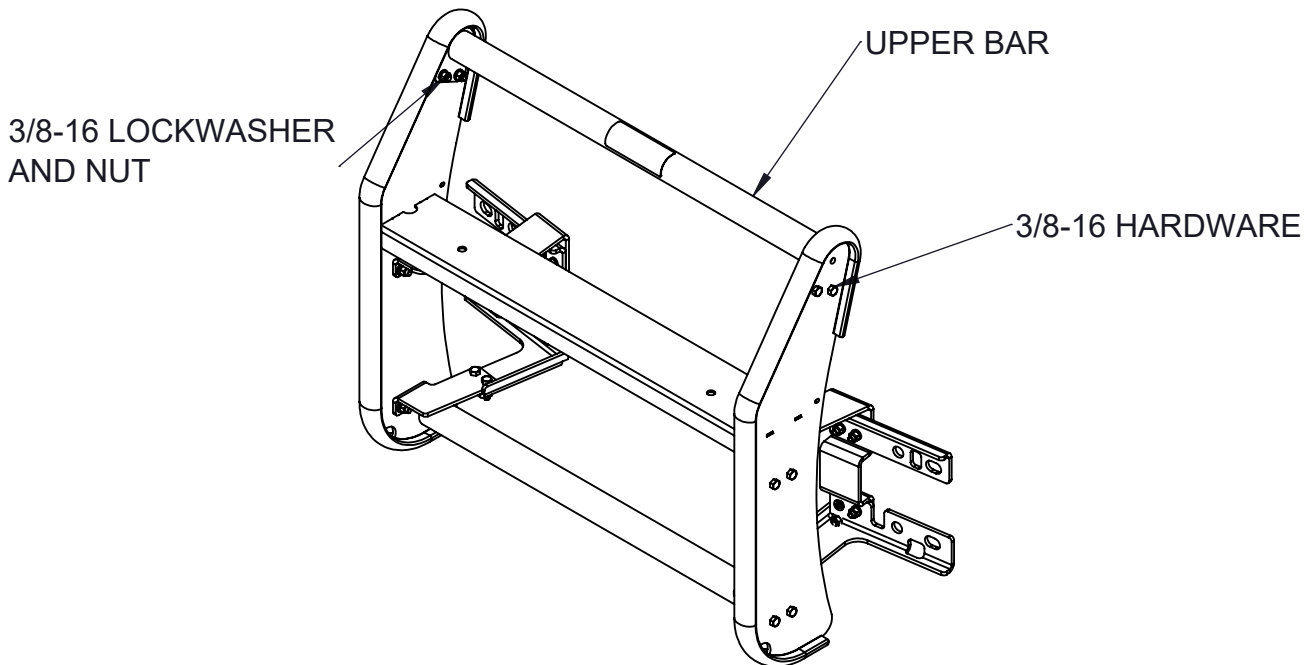
13. With everything bolted on, make adjustment to level if necessary, then tighten down all push bumper hardware and re-attach all OEM fascia bolts and torque to OEM spec.



Fig. 17

## To Install Round Top Bar:

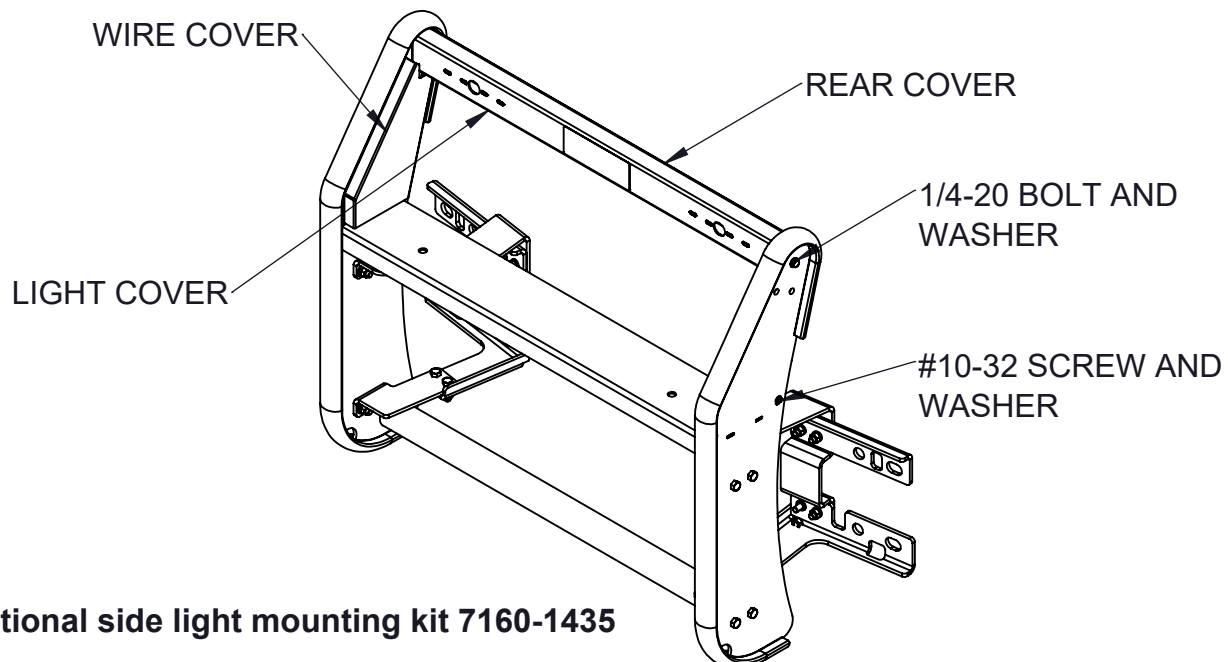
1. Bolt upper bar in place using the 3/8-16 x 1.00 bolts, lock washers and nuts provided.



## To Install Light Bar:

1. After the lights have been installed in the light bar, align the light bar and rear cover with the top holes in the push bumper. Wires can be guided through the notches at either end of the light bar. Install the light bar and cover using the 1/4-20 x 1.00 bolts and washers provided.

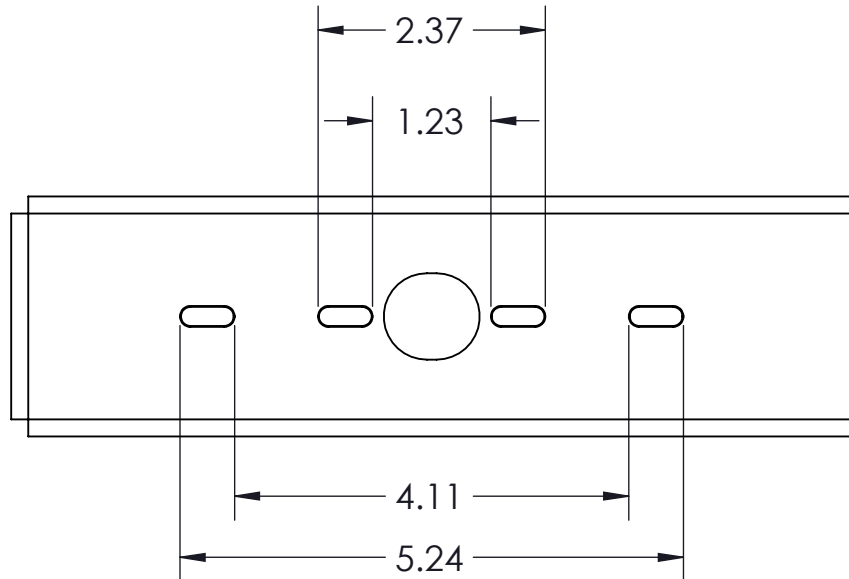
2. The side wire chase covers can be installed to guide wires down from the light bar to the flat plate in the middle of the push bumper. The covers are installed using #10-32 x 0.500 machine screws and #10 washers. The edges of the cover may need to be tucked underneath the flexible rubber strip on the front of the push bumper to be installed.



\* Optional side light mounting kit 7160-1435

**To Install Lights on Bar:**

1. Knock out the two knockouts that line up with the mounting holes of chosen light. Bolt light onto bar per light instructions.



**Acceptable Lights:**

1. The light bar knockouts are designed for the following light models:

<b>Code3:</b>	M180 (surface mount)
	MR6 (surface mount)
<b>Federal Signal:</b>	MicroPulse
	MicroPulse Ultra
	MicroPulse Wide Angle
<b>Feneix:</b>	Fusion (surface mount)
<b>Sound Off Signal:</b>	mPower 3" Stud
	mPower 4" Stud
	nForce (surface mount)
<b>Whelen:</b>	ION (surface mount)
	T-ION