



# INSTALLATION INSTRUCTIONS

## Product

7160-1515  
TRUNK BOX LEG KIT 2020+ FORD UTILITY  
W/CARGO PARTITION

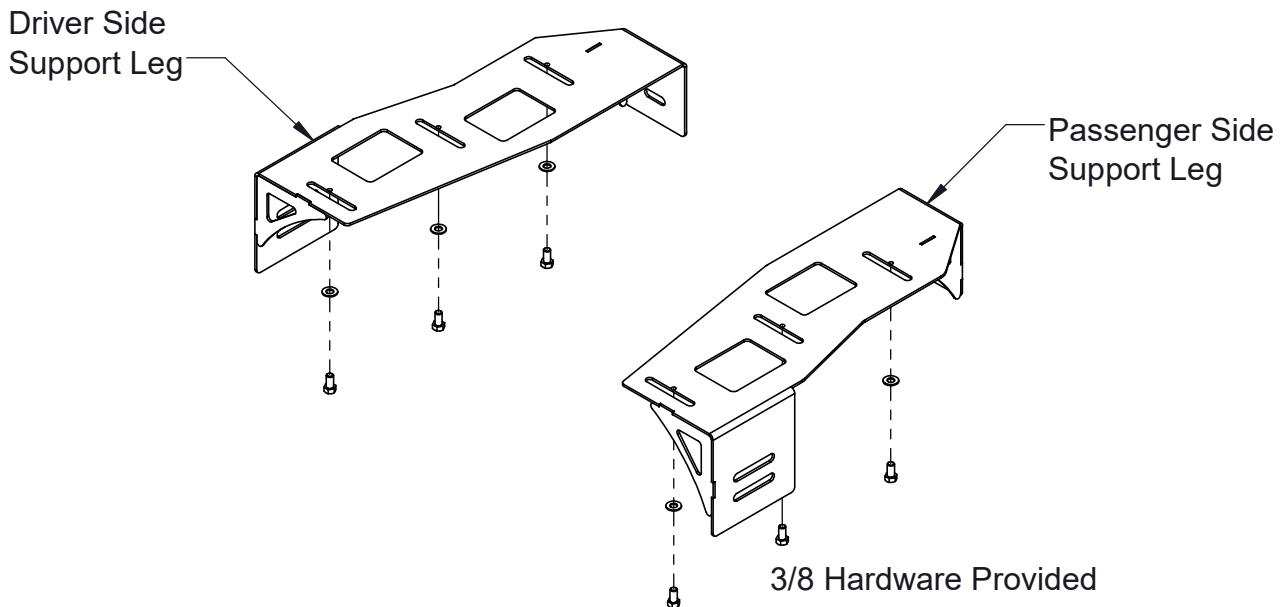
## Revision

Rev A

## Form

INST-1011

Printing Spec: PS-001



1. Remove two 3/8 hardware attached to each kicker rod lower on driver and passenger side.
2. Remove two 3/8 hardware attached to the center barrier on driver and passenger side.
3. Install the driver side support leg using the same hardware removed.. Repeat the same step on passenger side.Do not tighten hardware.
4. Place the trunk box on the support leg. Using the 3/8 hardware supplied install the hardware bag install the box to the support leg
5. Tighten all hardware.

### Product Mounting Disclaimer

Gamber-Johnson is not liable under any theory of contract or tort law for any loss, damage, personal injury, special, incidental or consequential damages for personal injury or other damage of any nature arising directly or indirectly as a result of the improper installation or use of its products in vehicle or any other application. In order to safely install and use Gamber-Johnson products full consideration of vehicle occupants, vehicle systems (i.e., the location of fuel lines, brake lines, electrical, drive train or other systems), air-bags and other safety equipment is required. Gamber-Johnson specifically disclaims any responsibility for the improper use or installation of its products not consistent with original vehicle manufactures specifications and recommendations, Gamber-Johnson product instruction sheets, or workmanship standards as endorsed through the Gamber-Johnson Certified Installer Program.

© Copyright 2021 Gamber-Johnson, LLC

If you need assistance or have questions, call Gamber-Johnson at 1-800-456-6868