



INSTALLATION INSTRUCTIONS

Product

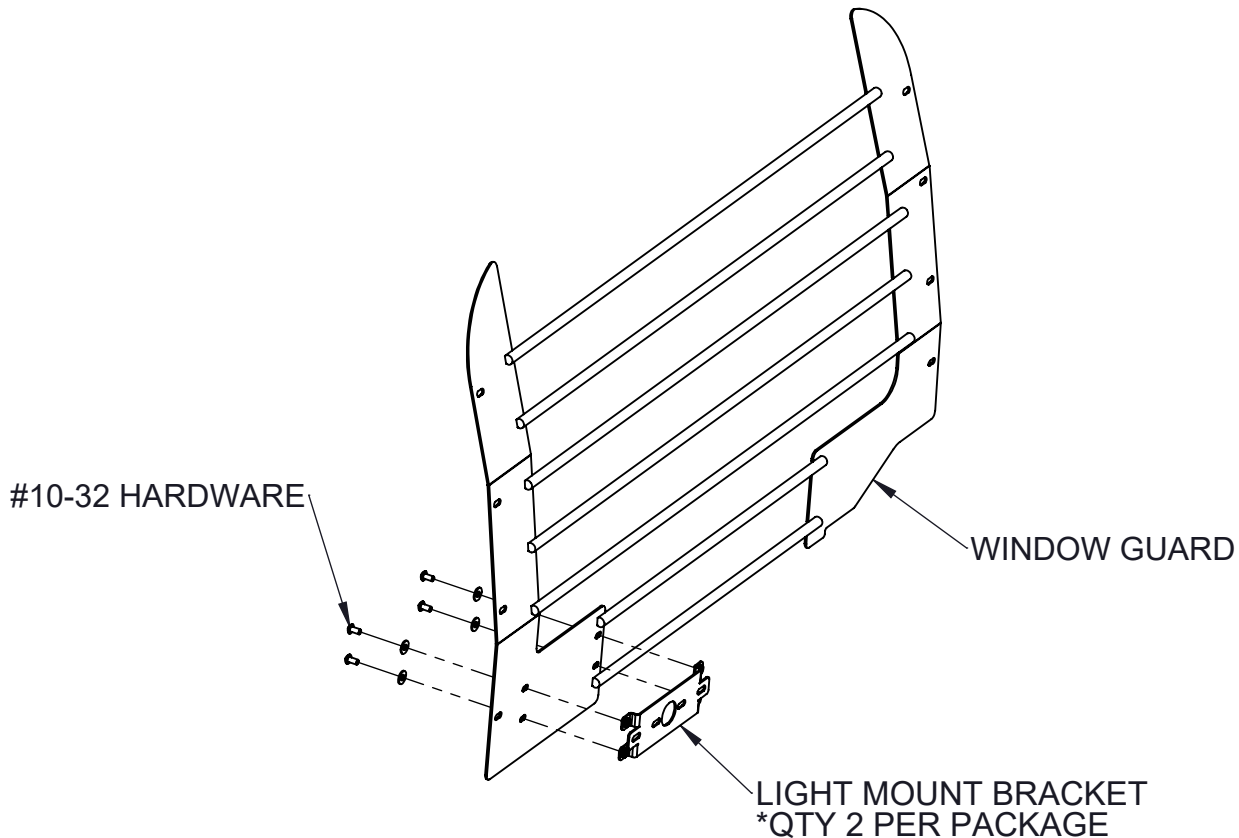
7160-1594

WINDOW GUARD LIGHT MOUNT BRACKET

Revision

Form

Printing Spec: PS-001



To Install:

1. Mount the light of user's choice to the Light Mount Bracket. (see page 2 for light compatibility)
2. Attach the bracket to the window guards with provided #10-32 hardware.
3. Install the Window guard on to the vehicle.

Product Mounting Disclaimer

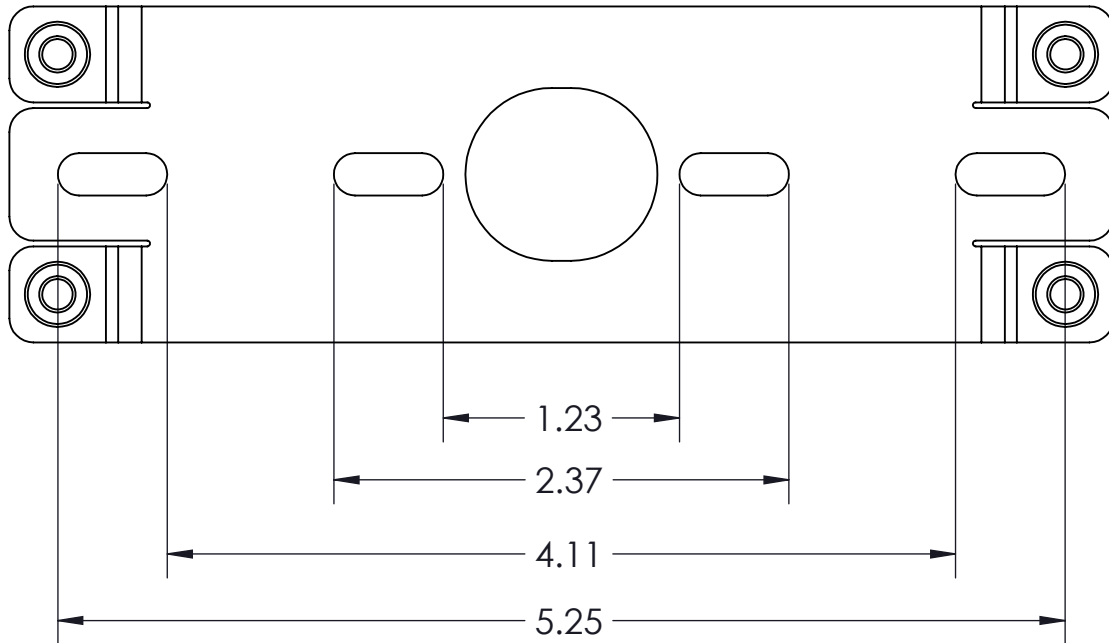
Gamber-Johnson is not liable under any theory of contract or tort law for any loss, damage, personal injury, special, incidental or consequential damages for personal injury or other damage of any nature arising directly or indirectly as a result of the improper installation or use of its products in vehicle or any other application. In order to safely install and use Gamber-Johnson products full consideration of vehicle occupants, vehicle systems (i.e., the location of fuel lines, brake lines, electrical, drive train or other systems), air-bags and other safety equipment is required. Gamber-Johnson specifically disclaims any responsibility for the improper use or installation of its products not consistent with original vehicle manufactures specifications and recommendations, Gamber-Johnson product instruction sheets, or workmanship standards as endorsed through the Gamber-Johnson Certified Installer Program.

© Copyright 2020 Gamber-Johnson, LLC

If you need assistance or have questions, call Gamber-Johnson at 1-800-456-6868

Light Pattern:

1. Light hole Pattern dimension:



Acceptable Lights

1. The light bar knockouts are designed for the following light models (other lights may fit):

Code3:	M180 (surface mount) MR6 (surface mount)
Federal Signal:	MicroPulse MicroPulse Ultra MicroPulse Wide Angle
Feneix:	Fusion (surface mount)
Sound Off Signal:	mPower 3" Stud mPower 4" Stud nForce (surface mount)
Whelen:	ION (surface mount) T-ION