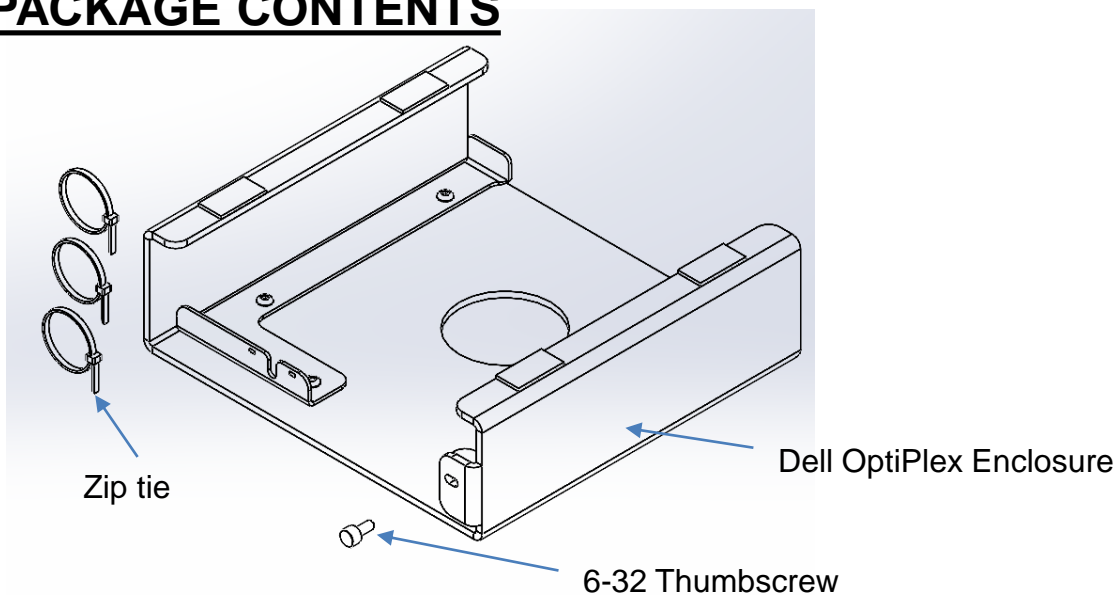


DELL OPTIPLEX ENCLOSURE USER GUIDE

Description	Part Number
ENCLOSURE FOR DELL OPTIPLEX MICRO OPTICAL DISK DRIVE	AS9.C080.100

PACKAGE CONTENTS



INSTALLATION ITEMS REQUIRED:

QTY DESCRIPTION

- 1 Dell OptiPlex Enclosure (Included)
- 1 6-32 Thumbscrew (Included)
- 3 Zip tie (Included)
- 1 Dell DW316 Optical Drive (with USB cable) (not included)
- 1 Dell OptiPlex 5000 Micro (not included)

INSTALLATION PROCEDURE

Step 1: Lay the enclosure on a flat surface as shown



Step 2: Place the DW316 optical drive in the pocket upside down as shown. The tray should face the front side of the enclosure



Front side

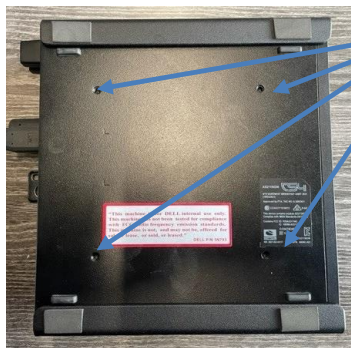
Step 3: Invert and slide the OptiPlex into the enclosure on top of the optical drive as shown. Note that the USB cable is connected to both devices before fully inserting the OptiPlex



Step 4: Fasten the retaining Thumbscrew



Step 5: The VESA 100 holes on the OptiPlex are available for mounting to compatible equipment



VESA holes

Step 6: Connect remaining cables and installation is now complete

