

DISPLAY PEDESTAL USER GUIDE

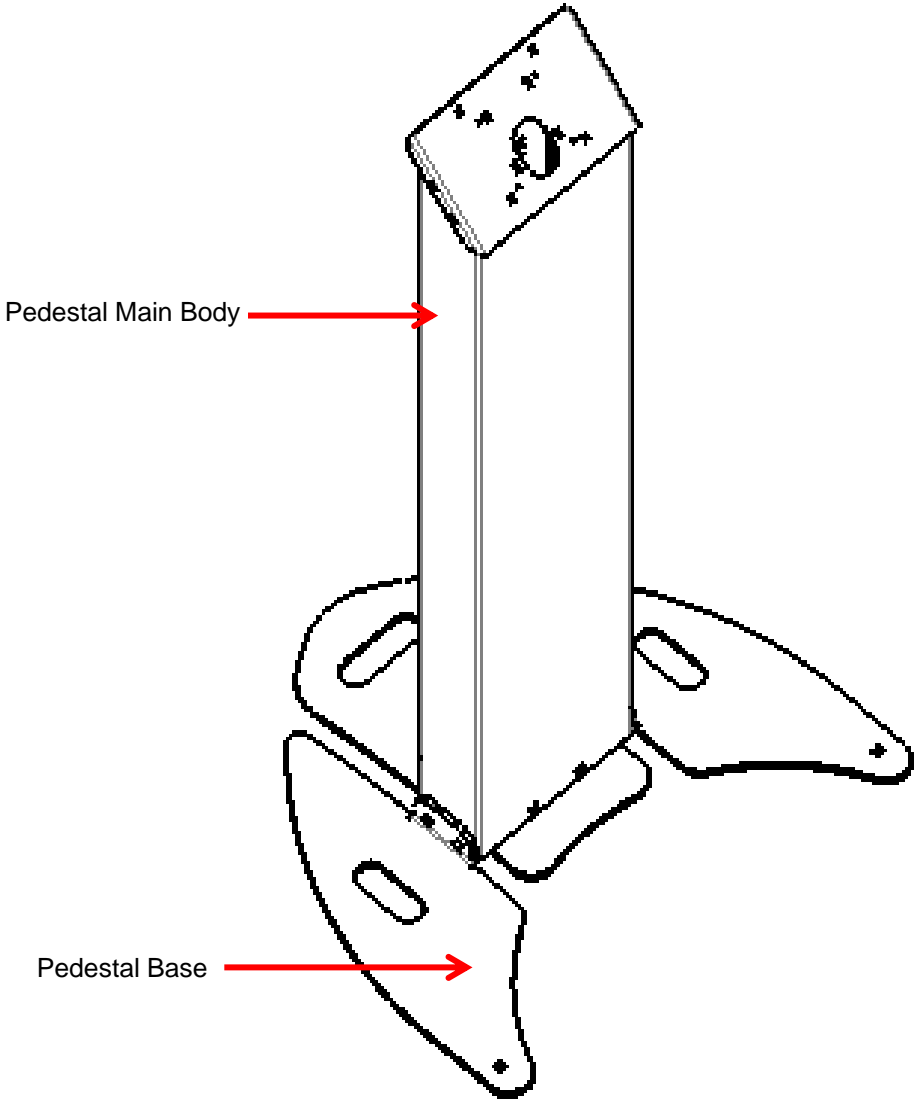
Description	Part Number
DISPLAY PEDESTAL	AS9.C185.027

Product Mounting Disclaimer

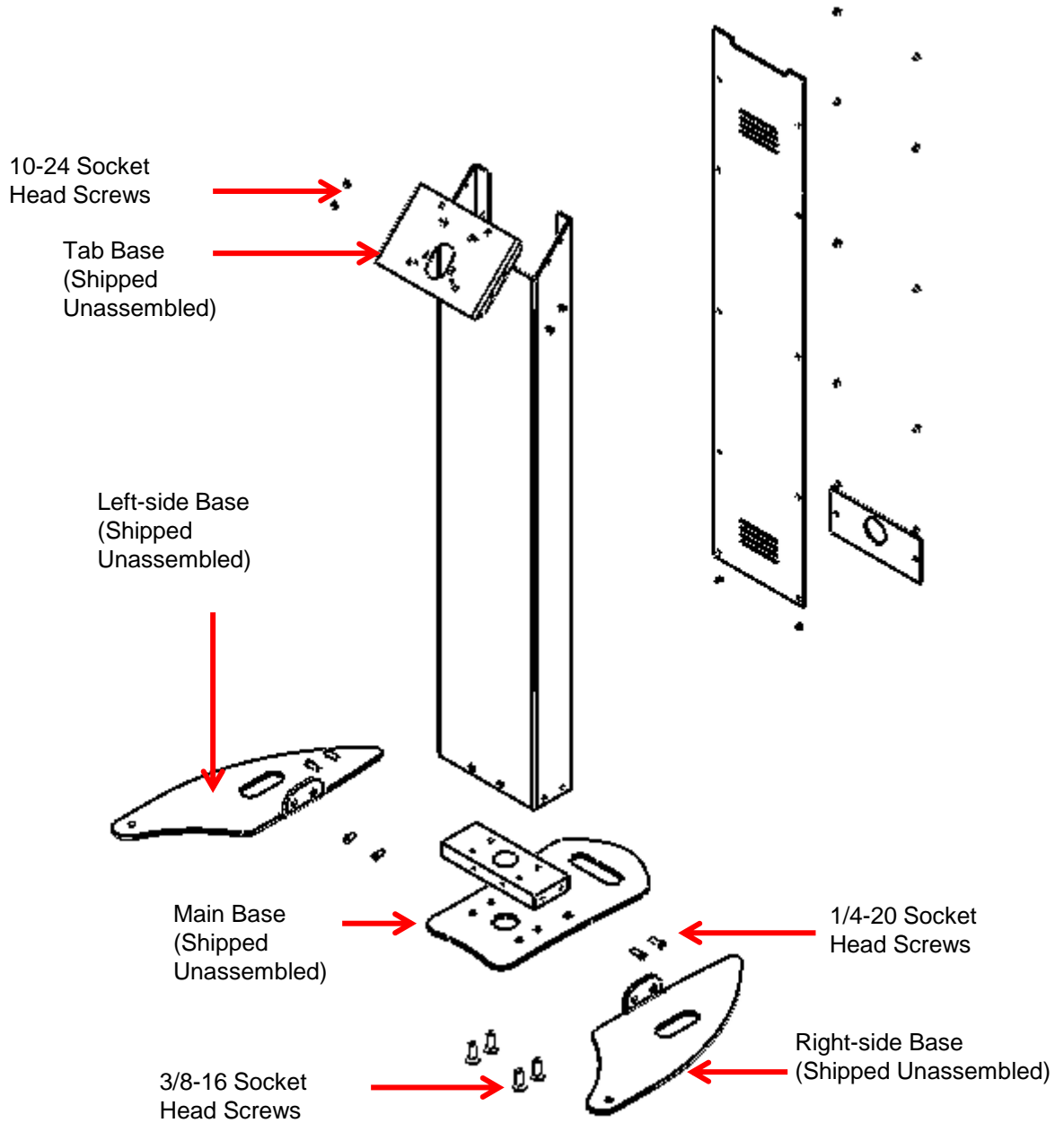
Precision Mounting Technologies Ltd (PMT) are not liable under any theory of contract or tort law for any loss, damage, personal injury, special, incidental or consequential damages for personal injury or other damage of any nature arising directly or indirectly as a result of the improper installation or use of its products in vehicle or any other application. In order to safely install and use PMT products full consideration of vehicle occupants, vehicle systems (i.e., the location of fuel lines, brake lines, electrical, drive train or other systems), air-bags and other safety equipment is required. PMT specifically disclaims any responsibility for the improper use or installation of its products not consistent with original vehicle manufactures' specifications and recommendations, PMT product instruction sheets, or workmanship standards as endorsed through PMT policies and EULA.



DESCRIPTION OF PARTS



DESCRIPTION OF PARTS



INSTALLATION INSTRUCTIONS

Tools and hardware required:

- Allen Wrench 7/32" suitable for # 3/8-16 screw
- Allen Wrench 5/32" suitable for #1/4-20 screw
- Allen Wrench 7/64" suitable for # 10-24 screw

Installation parts:

Quantity	Description
1	Main Base
1	Right-side Base
1	Left-side Base
1	Tab Base

Step 1

Attach the main base to the main body using the four 3/8-16 socket head screws.



INSTALLATION INSTRUCTIONS

Step 1.1

Attach left-side & right-side bases to the sides of the pedestal main body using the ¼-20 socket head screws.



Step 2

Attach the Tab Base to the device mount (device mount purchased separately) before attaching it to the Pedestal Main Body using supplied hardware.



Step 2.1

Attach the Tab Base to the main body using the 10-24 socket head screws.

INSTALLATION INSTRUCTIONS

Installation complete



Shown here assembled including tablet enclosure attached (tablet enclosure sold separately)