



2022+ FORD F150 LIGHTNING CONSOLE

Featuring a built in wireless cell phone charger, 14 inches of space for equipment faceplates and accessories and relocation positions for OEM sockets such as 12 Volt, USB and 120 Volt, this console for the Ford F150 Lightning is packed with features fit for a vehicle of this caliber.

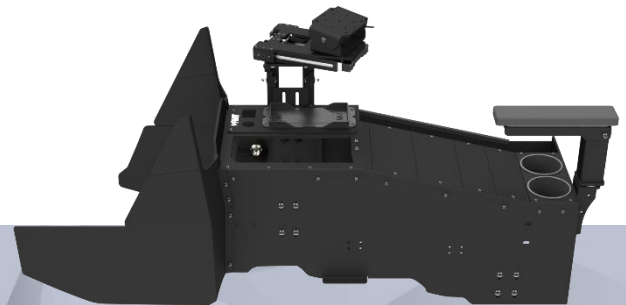
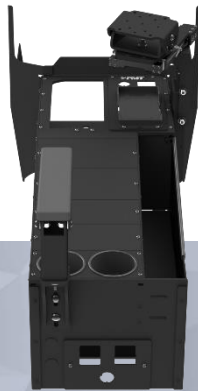
FEATURES

- Wireless cell phone charger
- Houses relocated gear shifter
- Relocation holes for OEM 12 Volt, USB and 120V
- Extra width for side storage pocket measuring 3.2" wide and 4.5", up to 7.5" in height with a full pocket length of 19"
- Ergonomic, compact, and flexible fit solution for safety and comfortable use
- Aircraft-grade aluminum construction
- Dual 12V sockets
- Single Armrest / Dual Cup holder (version dependent)
- Ample room to mount radios, lights and siren controllers
- Equipment specific faceplates
- Customizable with an array of accessories
- Limited Lifetime Warranty



MOUNTING SPACE

- 14" space in the body
- 4" space for dual cup holder





2022+ FORD F150 LIGHTNING CONSOLE

PART NUMBERS, WEIGHTS AND DIMENSIONS

ITEM NO.	DESCRIPTION	HEIGHT	WIDTH	DEPTH	WEIGHT
AS4.C247.101	Includes mounting kit and trim panels. Includes wireless phone charger. Includes rear mount breakaway armrest (AS4.A100.016) and dual cup holder (AS4.C501.016). 14" space in the body, 4" space for cup holder	20.62"	18.61"	50.90"	34.35 lbs
AS4.C247.102	Includes mounting kit and trim panels. Includes wireless phone charger, in mount bracket (AS9.C187.003-2) and mousetrap with adjustable multi pattern tilt (AS5.N101.009). Includes rear mount breakaway armrest (AS4.A100.016) and dual cup holder (AS4.C501.016). 14" space in the body, 4" space for cup holder	24.00"	18.61"	50.90"	42.55 lbs
AS4.C247.105	Includes mounting kit and trim panels. Includes wireless phone charger. No armrest, no cup holder, no faceplates, no blanks - all need to be ordered separately, includes top plate. 14" space in the body, 4" space for cup holder	20.62"	18.61"	48.45"	30.10 lbs

