



## FORD F-150 LIGHTNING CONSOLE USER GUIDE

Description	Part Number
FORD F-150 LIGHTNING CONSOLE	AS4.C247.101
FORD F-150 LIGHTNING CONSOLE W/ MOUSETRAP	AS4.C247.102
FORD F-150 LIGHTNING CONSOLE BOX	AS4.C247.105

# GENERAL INSTRUCTIONS

## SAFETY:

- Safety is dependent on the proper installation and servicing of this product. It is important to read and follow all instructions before installing this product.
- Proper installation requires a good understanding of automotive electrical systems and is recommended to be performed by qualified technicians only.
- There are no adjustments or user serviceable parts within the wireless charger. Opening the charger will void the product warranty
- Do not install equipment or route wires in the deployment path of any air bag, or where it may interfere with critical safety or operating controls of any vehicle.

## POWER:

- The power input for the wireless charger should be 13v DC 2A

## WIRING:

- PMT does not recommend relying on a cigarette socket adaptor for powering critical equipment. We recommend hard wiring using a good clean ground direct from the vehicle battery neg(-) post, and pos(+) supply from a fused location also directly from the vehicle battery.
- Visit <https://www.precisionmounts.com/product-information> for a copy of our general wiring and troubleshooting guide.

## PROPER USE AND CARE:

- Proper care and use of this product is critical to maximize safety
- Clean equipment using a mild soap and water mix only
- Never use damaged equipment
- Inspect and tighten hardware periodically as required.
- Contact PMT for product and service support

## ENVIRONMENTAL:

- Wireless charger:
  - Storage: -20°C to 80°C
  - Operating: 0°C to 40°C

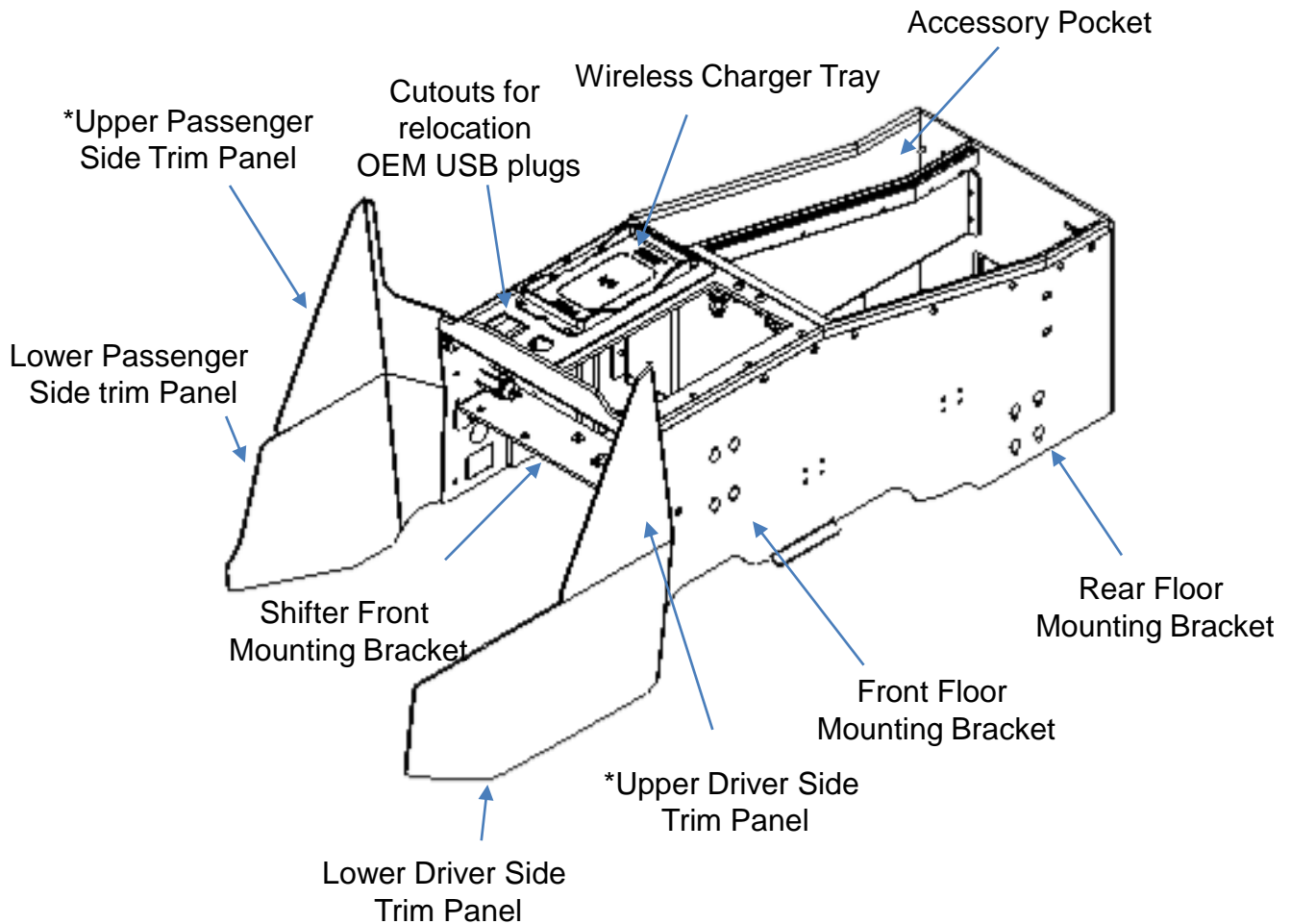
### Product Mounting Disclaimer

Precision Mounting Technologies Ltd (PMT) are not liable under any theory of contract or tort law for any loss, damage, personal injury, special, incidental or consequential damages for personal injury or other damage of any nature arising directly or indirectly as a result of the improper installation or use of its products in vehicle or any other application. In order to safely install and use PMT products full consideration of vehicle occupants, vehicle systems (i.e., the location of fuel lines, brake lines, electrical, drive train or other systems), air-bags and other safety equipment is required. PMT specifically disclaims any responsibility for the improper use or installation of its products not consistent with original vehicle manufactures specifications and recommendations, PMT product instruction sheets, or workmanship standards as endorsed through PMT policies and EULA.



# PARTS & HARDWARE DESCRIPTION

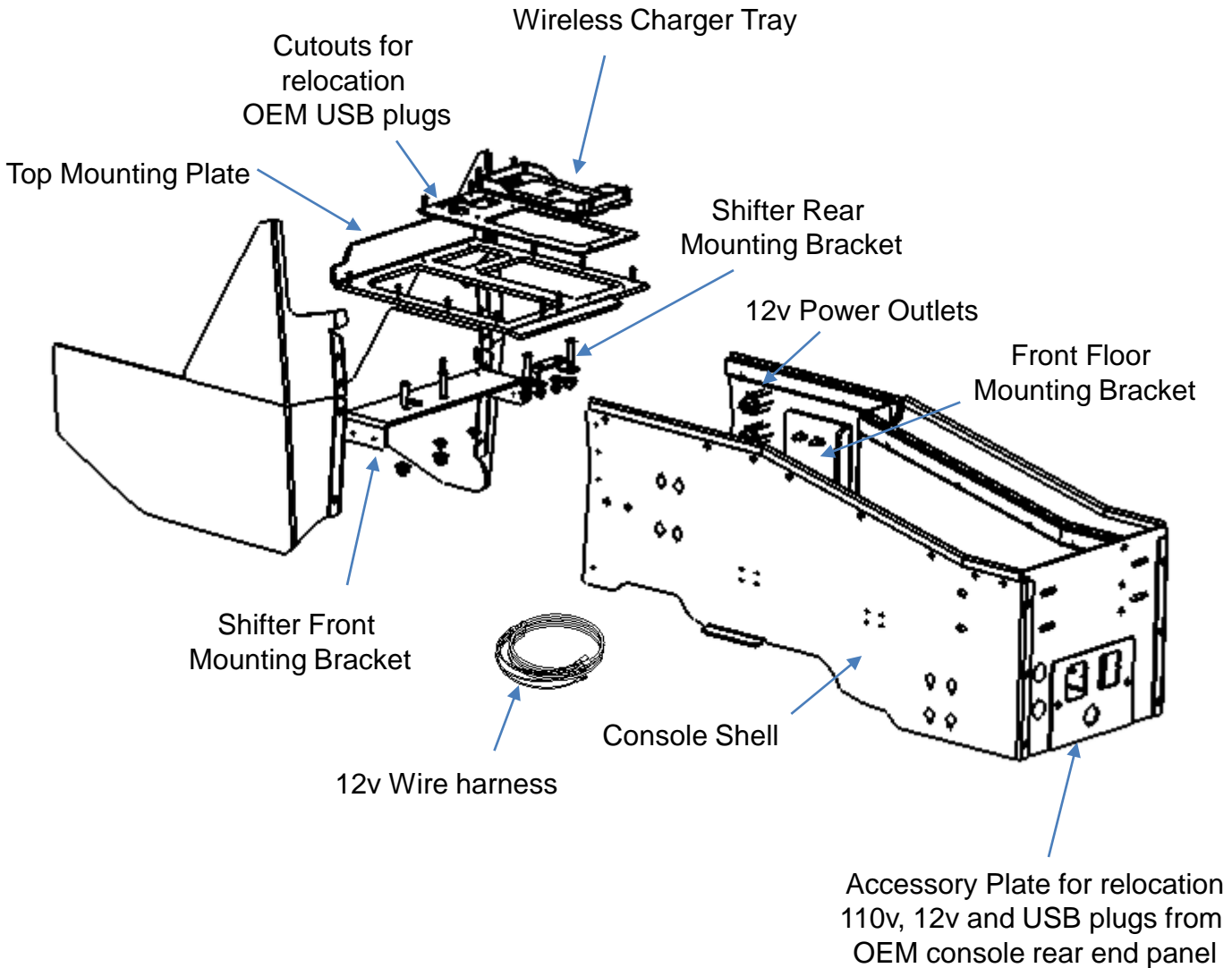
## AS4.C247.101/102/105



\*Two upper trim panel sets are included with the console for use with various trim levels of vehicle. Pro models with the smaller center screen will use the taller trim panels (shown above) where vehicles with the large center screen will use the smaller trim panels (shown on page 9)

# PARTS & HARDWARE DESCRIPTION

## AS4.C247.101/102/105



# PARTS & HARDWARE DESCRIPTION

## AS4.C247.101/102/105

### Tools and hardware required:

- Socket set suitable for #1/4-20 wrench
- Socket set suitable for 5/16-18 wrench
- Socket set suitable for #10-24 Hex Allen key
- Philips screwdriver

### INSTALLATION PARTS:

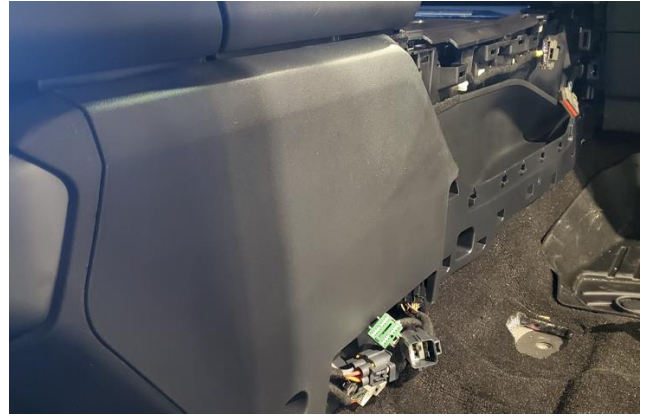
<u>QTY</u>	<u>DESCRIPTION</u>
1	Driver side top trim panel
1	Driver side bottom trim panel
1	Passenger side top trim panel
1	Passenger side bottom trim panel
1	Wire harness for the 12v ports

# INSTALLATION PROCEDURE

## STEP 1:



View of The OEM Console



A) Remove OEM console by detaching side trim panels, disconnecting wire harness and removing four mounting screws.



B) Remove wiring harness from the OEM console.



C) Remove the shifter. Remove all charging port modules and power plugs from the OEM console



# INSTALLATION PROCEDURE (CONTINUED)

## STEP 2:



A) Remove keyless entry antenna with its mount from underneath the cup holder. Only remove the antenna's mounting screws. (Don't remove the captive nuts)



B) Attach the keyless entry antenna to the front shifter bracket using 10-24 X 5/8 bolts, washers and Nylok nuts.



C) Install the front power port modules to the wireless charger face plate.



D) Install the rear power port modules to the USB plugs plate.

# INSTALLATION PROCEDURE (CONTINUED)

## STEP 3:



A) Attach the console shell to the floor using the OEM bolts. Adjust the front bottom trims while tightening the 16 carriage bolts.



B) Loosely attach the shifter to the rear mounting bracket using 5/16-18 X1-1/4 bolts, washers and Nylok nuts. Then attach the top plate to the console



C) Loosely attach the shifter to the front mounting bracket using 5/16-18 X1-1/4 bolts, washers and Nylok nuts.



D) Adjust the shifter in place and tighten all the hardware.



# INSTALLATION PROCEDURE (CONTINUED)

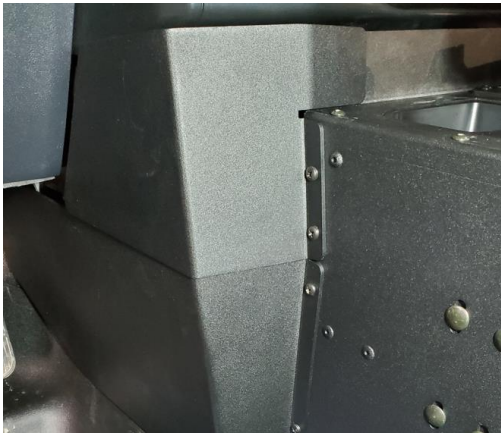
## STEP 4:



A) Attach all the wire harness connectors to the ports and vehicle. Test the connections after starting the vehicle.



B) Attach the wireless charger plate and tray to the top plate.



C) Attach the top side trims to the console using #10-32 – 3/8 Phillips PAN Head screws.



D) Install desired faceplates, equipment and accessories to complete the installation. Refer to “PMT Face Plate Installation Guide” found at [precisionmounts.com](http://precisionmounts.com) if required.

# COMPLETED CONSOLE AFTER INSTALLATION



[END]



[WWW.PRECISIONMOUNTS.COM](http://WWW.PRECISIONMOUNTS.COM)

515 58th Ave SE, Calgary, Alberta, T2H 0P7  
1-888-869-7652 | [info@precisionmounts.com](mailto:info@precisionmounts.com)

# WIRELESS CHARGER USER GUIDE

The mobile phone wireless charging module is compatible with 7.5W fast wireless charging for iPhone 8 to iPhone 13 series mobile phones, as well as wireless charging for other mobile phones and devices that support the Qi wireless charging protocol.

(Note: The greater the distance from the center point, the worse the charging effect. Cases may affect charging performance)

When wireless transmitter charges mobile phone and other receiving devices, the buzzer rings when charging starts (select function).

## Mobile Phone Wireless Charging Introduction:

Name	Power-on momentary state	Working state	Foreign Object Detection State	Standby prompt
Phone Charging indicator state	Blink for 1 second off	Long bright blue light	Flashing red light	Turn off the light after 3 seconds of red light

## Wireless Charging Output Protection

### Output Short Circuit Protection

When the output of the receiver is short-circuited, the receiver sends an abnormal signal to the transmitter, and the transmitter stops working. When the receiver is removed, the transmitter will return to the standby state.

### Over-temperature Protection

When the NTC temperature of the transmitter's temperature sensor is higher than the set value (default 65°C), the transmitter will stop working, and the temperature returns to a normal state. When the temperature is reduced to 50°C, the transmitter returns to normal working.

### Metal Detection

When a metal object larger than a coin-sized product is detected on the transmitter coil, the transmitter will stop working. After the metal object is removed, the transmitter returns to normal state.

### Foreign Object Detection

When the transmitter and receiver are working normally, a coin-sized metal object is inserted between the transmitter coil and the receiver coil, and the transmitter must stop working within 2 minutes (the receiver protocol version requires WPC1.1 or above).

[END]