



2021+ FORD F150 CONSOLE

Console to fit the 2021+ Ford F150 with vehicle specific mounting kit and trim panels to ensure best fitment within the cabin. This console is available with or without the ability to mount a Brother PocketJet 7-series printer within the console angle to best suit the mobile office needs.

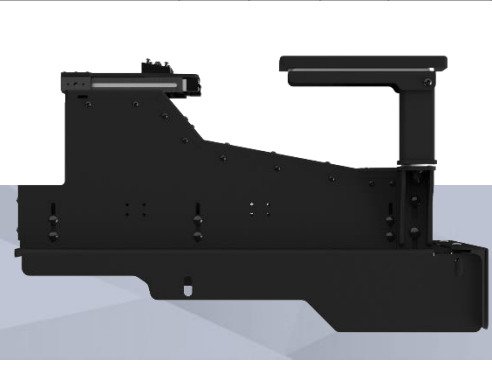
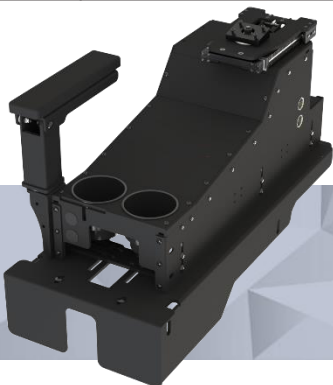
FEATURES

- Aircraft-grade aluminum construction
- High-durability black epoxy powder coat finish
- Dual 12v sockets
- Choice of part number kits to select from for different included equipment and ability to mount Brother PocketJet 7-series printer
- Armrest / cupholder and PMT mousetrap included (part number dependent)
- 'Stepped' front allows access to OEM dash shelf and 12V / USB connectors



- Customizable with an array of accessories such as armrest/printer, cupholders, equipment specific faceplates containment trays, locking boxes etc.
- 3.5" space in the angle (non-printer version) or 2.5" space in the angle (printer version), 10" space in the body, 4" space for armrest / cupholder
- Limited lifetime warranty

ITEM NO.	DESCRIPTION	HEIGHT	WIDTH	DEPTH	WEIGHT
AS4.C246.101	Non-printer version. Includes armrest cupholder and faceplates / blanks to fill	17.03"	13.41"	29.53"	34.20 LBS
AS4.C246.102	Non-printer version. Includes PMT mousetrap with wedge tilt, armrest cupholder and faceplates / blanks to fill	17.60"	13.41"	29.53"	30.25 LBS
AS4.C246.105	Non-printer version. Motion attachment, armrest, cupholder, faceplates, blanks not included, need to be ordered separately	15.16"	12.63"	29.53"	26.00 LBS
AS4.C246.111	Printer version. Includes armrest cupholder and faceplates / blanks to fill	17.03"	13.41"	29.53"	36.80 LBS
AS4.C246.112	Printer version. Includes PMT mousetrap with wedge tilt, armrest cupholder and faceplates / blanks to fill	17.60"	13.41"	29.53"	32.85 LBS
AS4.C246.115	Printer version. Motion attachment, armrest, cupholder, faceplates, blanks not included, need to be ordered separately	15.16"	12.63"	29.53"	28.60 LBS



2021+ Ford F150 Console Guide

What trim level of F150 do you have?

Police Responder or SSV (40/
blank/40 configuration)

Choose from and order:

AS4.C246.101
AS4.C246.102
AS4.C246.105
AS4.C246.111
AS4.C246.112
AS4.C246.115

NOTE: PMT 'U' brackets required, purchased separately as needed. Part number AS4.R121.004

XL or XLT with centre seat (40/
20/40 configuration)

Choose from and order:

AS4.C246.101
AS4.C246.102
AS4.C246.105
AS4.C246.111
AS4.C246.112
AS4.C246.115

NOTE: Centre seat must be removed and OEM 'U' brackets used for attaching PMT leg mounting kit

XL or XLT with full size centre
console (40/console/40
configuration)

Choose from and order:

AS4.C228.401
AS4.C228.402
AS4.C228.405

Note: OEM centre console must be removed and OEM 'U' brackets used for attaching PMT leg mounting kit. PMT trim panels not compatible. OEM dash trim panels to be purchased by customer from Ford dealer to suit the required needs.

If none of the above apply, please contact PMT sales to discuss your vehicle configuration and console needs:

sales@precisionmounts.com

+1 888-869-7652