



2021+ F150 Console & Printer-in Console User Guide

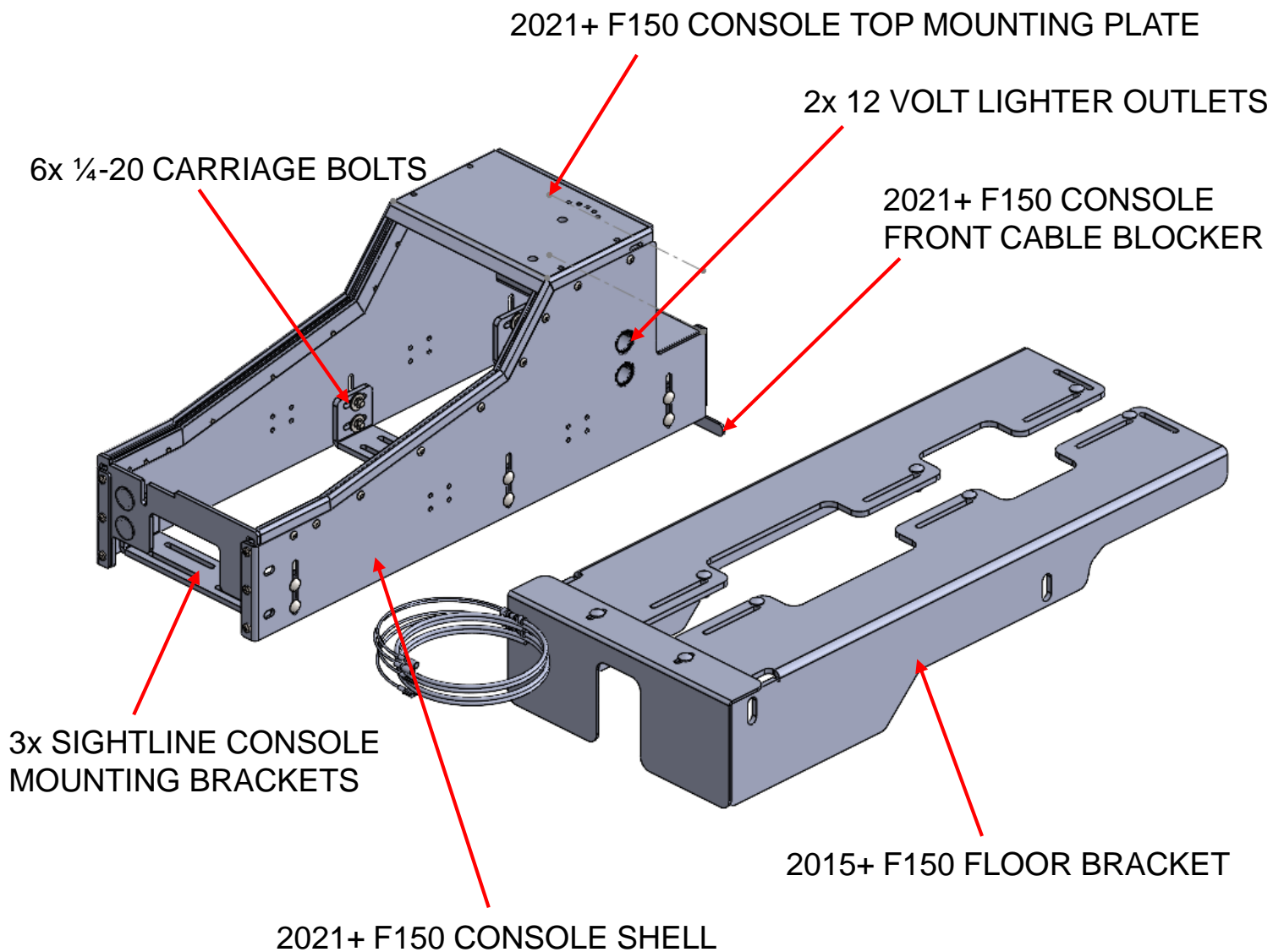
Description	Part Number
2021+ F150 Console	AS4.C246.101/102/105
2021+ F150 Printer-in Console	AS4.C246.111/112/115

www.precisionmounts.com

call us at 1-888-869-7652 | info@precisionmounts.com

PARTS & HARDWARE DESCRIPTION

AS4.C246.101/102/105



PARTS & HARDWARE DESCRIPTION

AS4.C246.111/112/115

2021+ F150 PRINTER-INCONSOLE
TOP MOUNTING PLATE

6x ¼-20 CARRIAGE BOLTS

IN CONSOLE PRINTER BOX

2x 12 VOLT LIGHTER OUTLETS

2021+ F150 CONSOLE
FRONT CABLE BLOCKER

3x SIGHTLINE CONSOLE
MOUNTING BRACKETS

2021+ F150 PRINTER-IN
CONSOLE SHELL

2015+ F150 FLOOR BRACKET

INSTALLATION INSTRUCTIONS

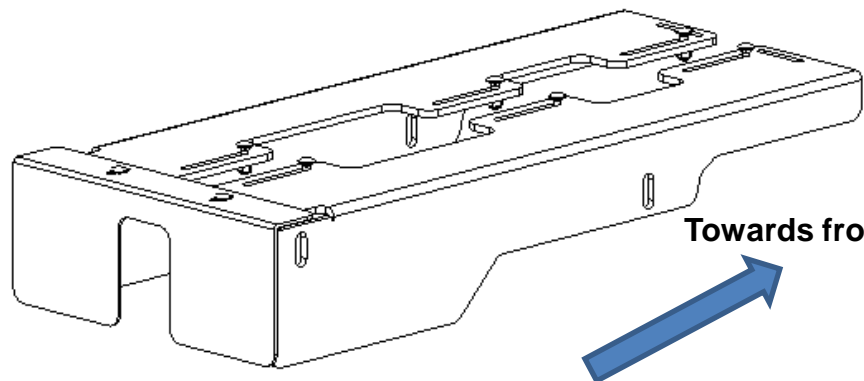
AS4.C246.101/102/105/111/112/115
2021+ F150 Console & Printer-in Console

Tools and hardware required:

- Socket set suitable for #1/4-20 wrench
- Socket set suitable for #10-24 Hex Allen key

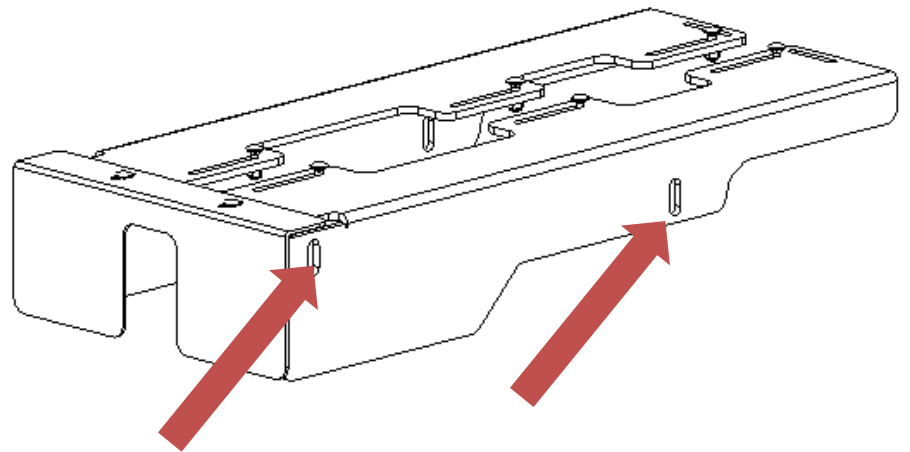
Step 1: Install Floor Bracket

Install 2015+ F150 floor bracket so that the cantilevered end goes towards the front of the vehicle as shown. The holes on the vertical part of the brackets line up with holes on the hump of the vehicle itself. The cantilevered end of the brackets also has a spacer screwed to the inside which will help identify direction. Use this time to insert the supplied carriage bolts in the slots as pictured for mounting the console in a later step.



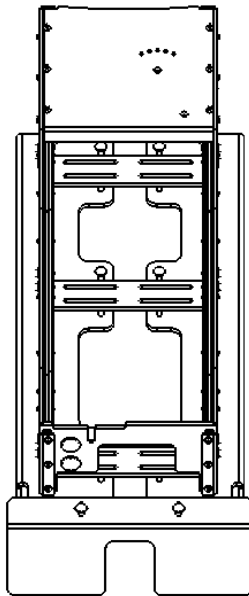
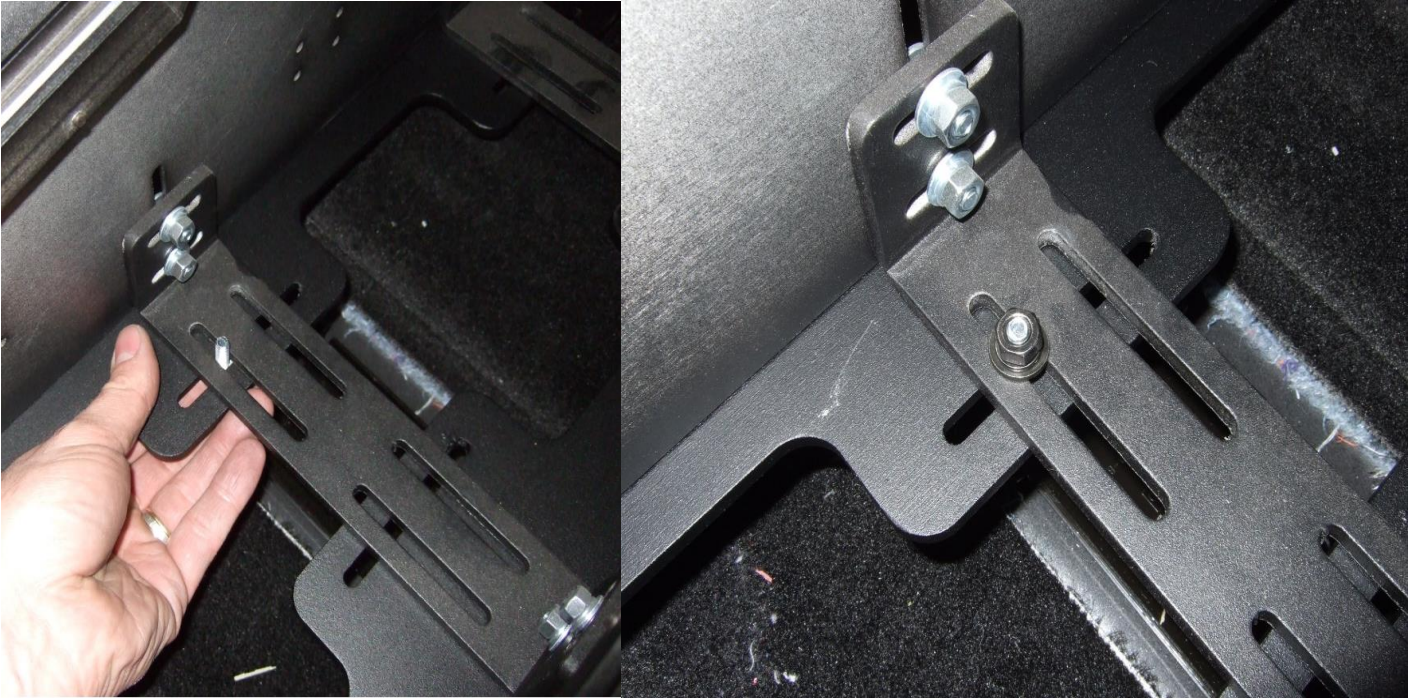
Towards front of vehicle

Use the supplied bolts to attach the front of the brackets to the vehicle and use the bolts that came with the vehicle to attach the rear end of the brackets to the vehicle. Do not fully tighten bolts yet. Note that some models of vehicles may need the holes in the hump threaded to match the bolt used.



Step 2: Position Console

Place console on top of floor brackets as shown and so that the front of the console is as close to the dash as possible. The cross brackets inside the console should line up with the floor bracket slots and carriage bolts that were inserted in step 1. Insert and loosely tighten any remaining carriage bolts and nuts so there is a minimum of 2x ¼-20 carriage bolts per cross bracket for a total of 6 bolts attaching the console to the Base Brackets.



Step 3: Tighten all Hardware



Go back and fully tighten the 4 bolts attaching the Base Brackets to the vehicle now that all bolts are in place, and console is positioned where you want it.

Side Mount Armrest bolts

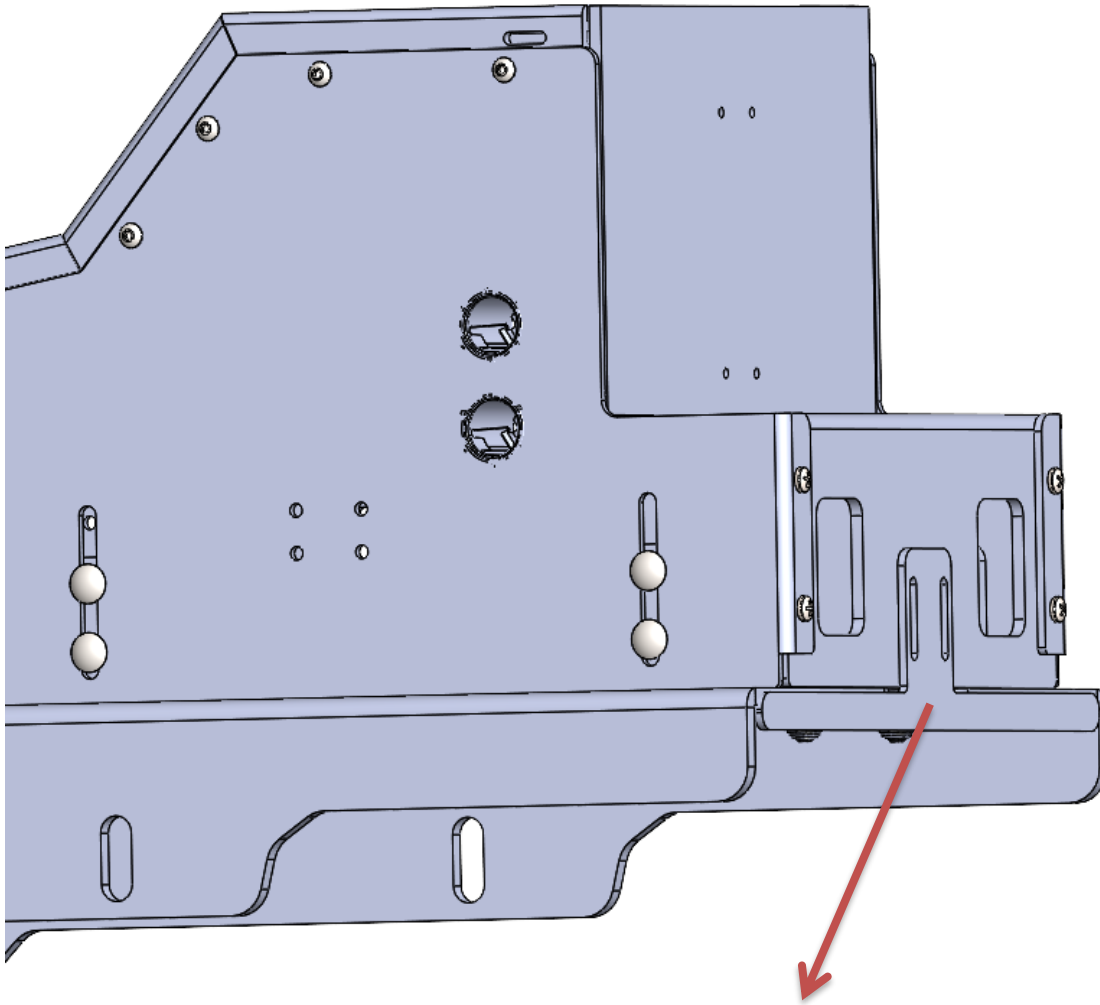


You can now go inside the console and tighten all bolts including the bolts attaching the cross brackets to the console itself.

If not already attached, install the side mount armrest to the driver side of the console at this time.

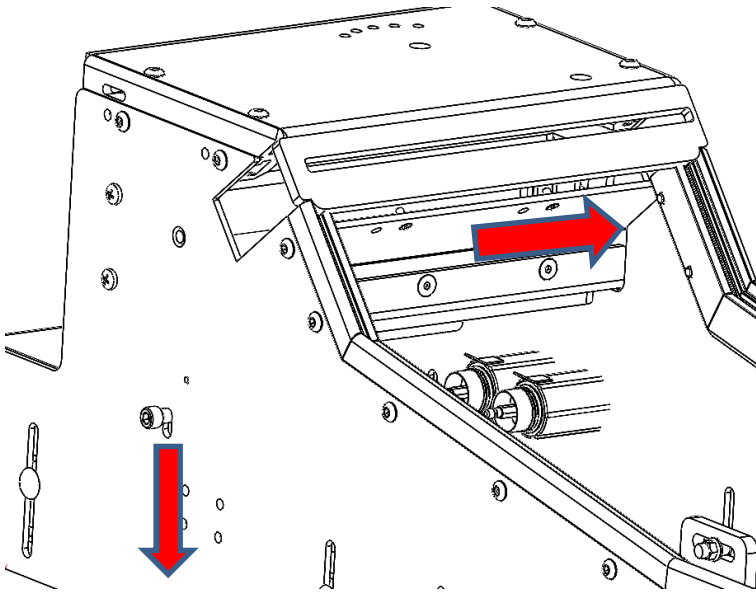


Step 4: Adjust the console front cable blocker

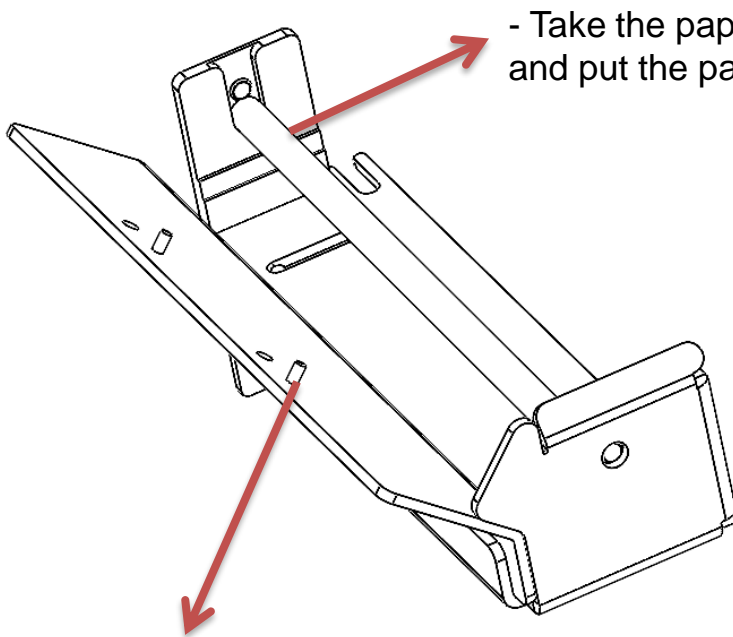


- The console front cable blocker can be adjust up and down after putting all the cables in place.
- It will prevent stuff falling front and go inside of the console floor bracket accidentally.

***Step 5: Install printer and paper roll**
F150 Printer-in Console ONLY(AS4.C246.111/112/115)



- Pull the lever down while slide the printer box in or out



- Take the paper rack shaft out gently, and put the paper roll in.



- Use the supplied M2.5x10mm flat head screws to mount the printer(*POCKETJET 7 SERIES*) on the plate.

Step 6: Install Face Plates



- Install the optionally supplied: dual cupholder plate, blank filler plates, radio faces plates, and laptop mounting plates.
- The plates are secured to the console using the supplied 10-24 nuts that are slid into the console rails, and then fastened with the supplied 10-24 x 5/8" screws.



Tip:
PMT consoles use a "floating nut" style rail for attaching face plates to the console. In the consoles that have angled rails, foam inserts are used to help position the nuts for easier alignment with the face plates mounting screws. Use an Allen (hex) key to position the foam and nut where desired, then mount the face plate.

Step 7: Final adjustments

- Go over everything to make sure that everything is fully tightened and secure.
- Adjust positioning, and go over how the built in adjustments are used to maximize comfort, safety and functionality.

