

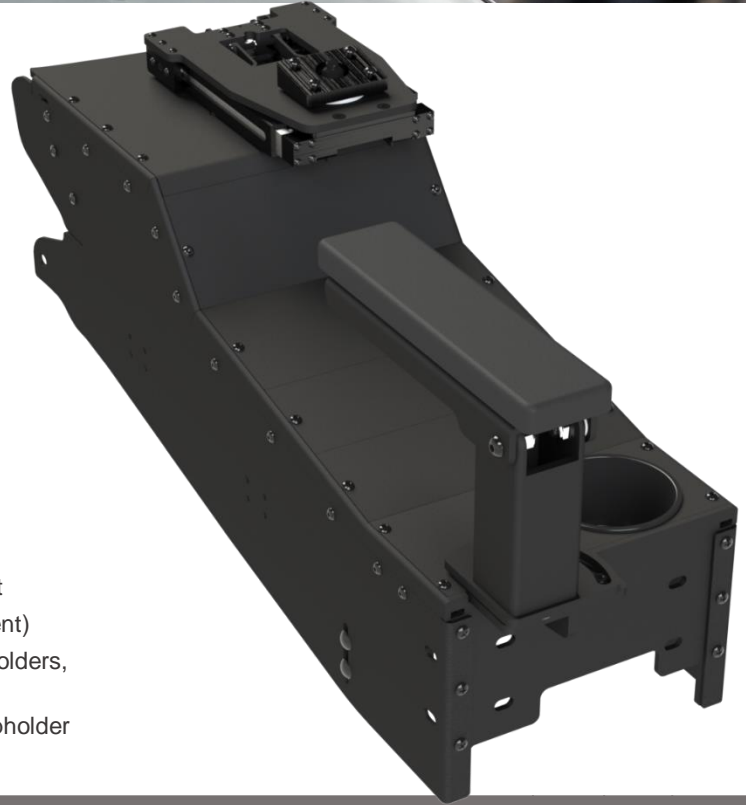


2021+ DODGE DURANGO CONSOLE

Console to fit the 2021+ Dodge Durango with vehicle specific mounting kit and contoured side panels to ensure best fitment within the cabin. This console is available in 3 different versions as detailed in the part number listing, to best suit the vehicle's application.

FEATURES

- Aircraft-grade aluminum construction
- High-durability black epoxy powder coat finish
- Dual 12v sockets
- Contoured design to meet vehicle dash gives an OEM finish and look
- Choice of part number kits to select from for different included equipment
- Armrest / cupholder and PMT mousetrap included (part number dependent)
- Customizable with an array of accessories such as armrest/printer, cupholders, equipment specific faceplates containment trays, locking boxes etc.
- 3.5" space in the angle, 10" space in the body, 4" space for armrest / cupholder
- Limited lifetime warranty



ITEM NO.	DESCRIPTION	HEIGHT	WIDTH	DEPTH	WEIGHT
AS4.C243.201	Includes armrest cupholder and faceplates / blanks to fill	13.72"	9.73"	29.88"	15.15 LBS
AS4.C243.202	Includes PMT mousetrap with wedge tilt, armrest cupholder and faceplates / blanks to fill	13.72"	9.73"	29.88"	19.50 LBS
AS4.C243.205	Motion attachment, armrest, cupholder, faceplates, blanks not included, need to be ordered separately	11.39"	9.73"	27.39"	11.10 LBS

