



# 2021+ CHEVROLET TAHOE TABLET DASHMOUNT

## User Guide

Description	Part Number
2021+ Tahoe Tablet Dashmount	AS5.E700.002

[www.precisionmounts.com](http://www.precisionmounts.com)

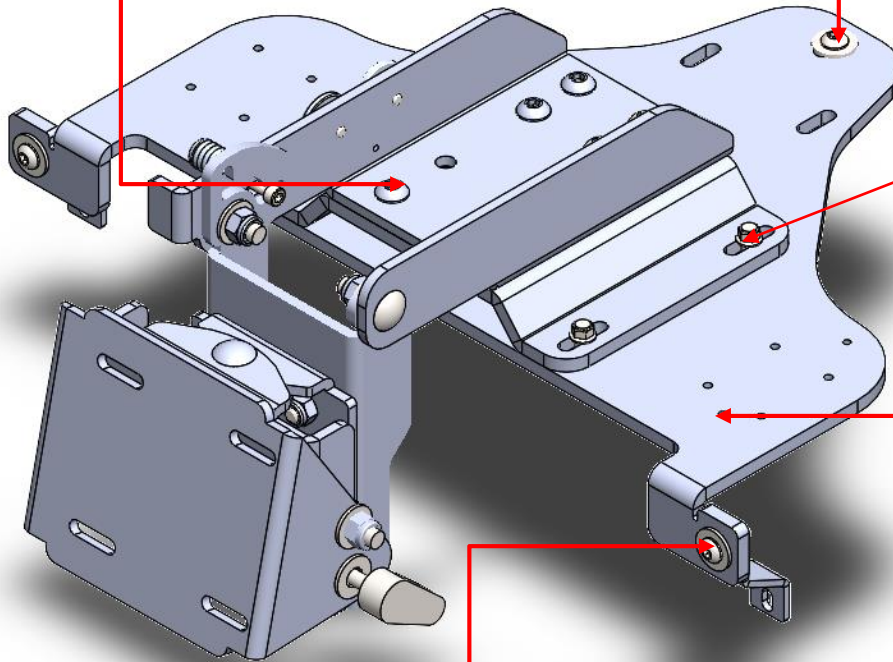
call us at 1-888-869-7652 | [info@precisionmounts.com](mailto:info@precisionmounts.com)

# HARDWARE DESCRIPTION

6x 5/16-18 x 1/2" SCREW FOR  
TABLET DASH MOUNT  
ASSEMBLY

1x 1/4-20UNC x 1" SCREW  
WITH 1/4 WASHER

4x 1/4-20UNC X 3/4"  
CARRIAGE BOLT  
AND 4x 1/4-20 HEX  
SERR FLANGE NUT



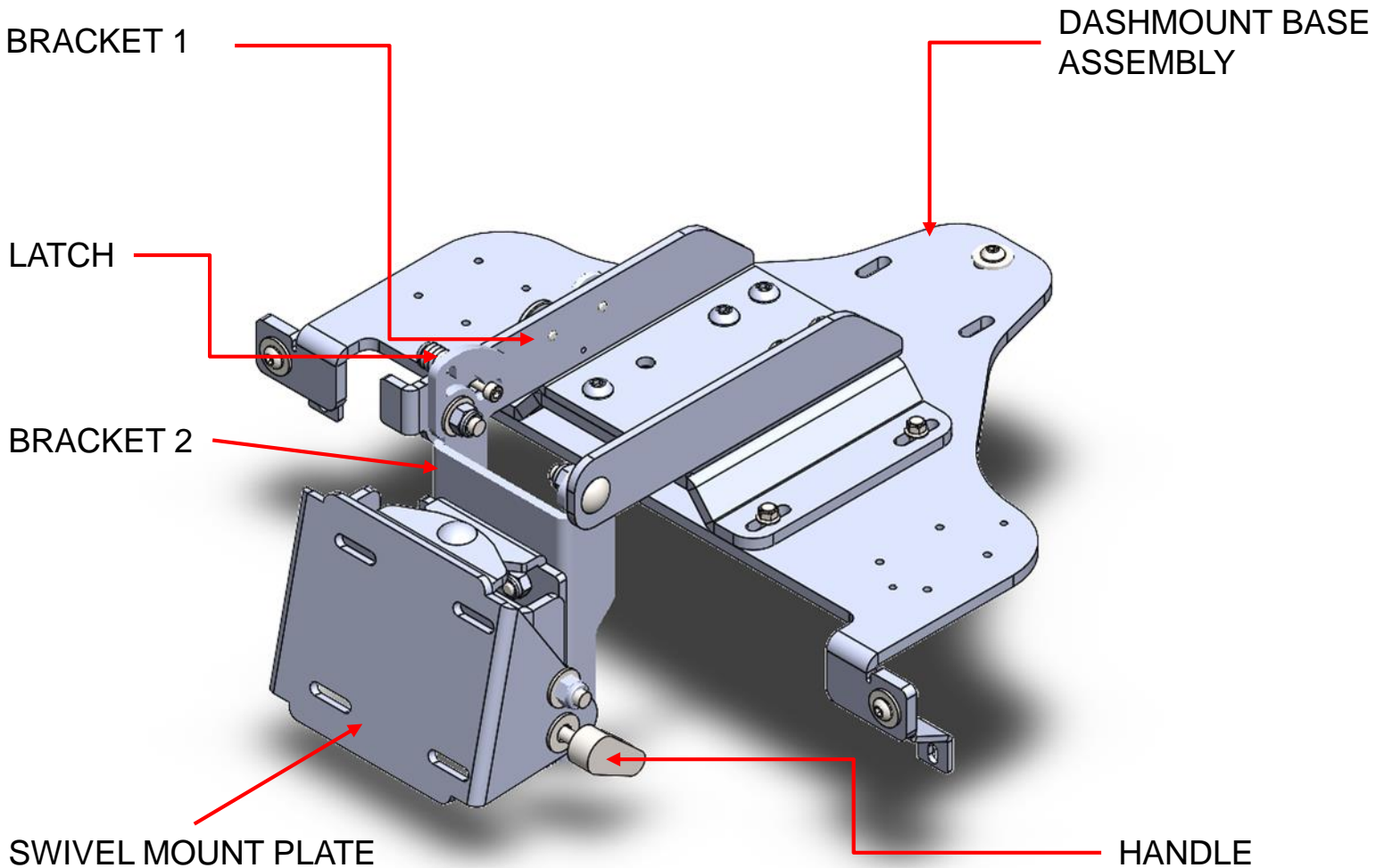
2x 1/4-20UNC x 3/4" SCREW  
WITH 1/4 WASHER AND  
1/4-20 NYLOC NUT

4x #10-32UNC TAPPED  
HOLES ON EACH SIDE  
FOR PHONE HOLDER  
AND TABLET  
MOUNTING SOLUTION

## Torque setting values for the hardware listed above:

- #10-32: 24-32 in-lbs
- #1/4-20: 45-60 in-lbs
- #5/16-18: 8-11 ft-lbs

# PARTS DESCRIPTION

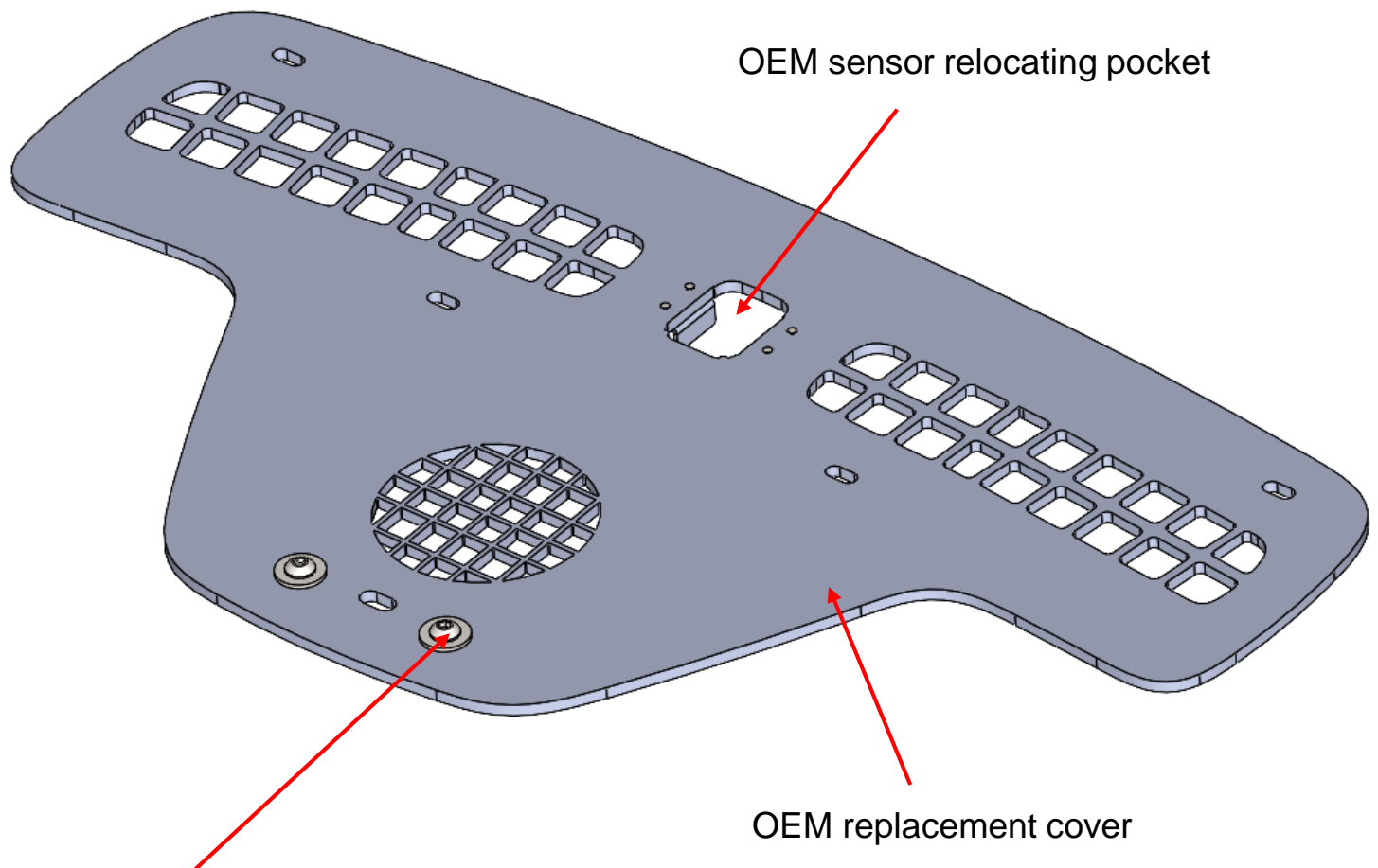


- **Dash mount assembly**: This assembly attaches to vehicle dash over the trim panel of vehicle dash.
- **Latch**: Pulling this will assist to raise and lower the tablet, to access the vehicle dash controls.
- **Bracket 1**: Attached to the dash mount plate, supports to hold bracket 2.
- **Bracket 2**: Holds the swivel assembly, which directly attaches to the tablet dock mounting plate.
- **Handle**: to be used for adjusting/ to tilt screen as desired by the user.
- **Swivel mount plate**: this has a Vesa pattern slots and a tablet dock can be mounted.

# PART AND HARDWARE DESCRIPTION (OPTIONAL)

2021+ Tahoe dashmount OEM replacement cover(AS4.C235.400-1)  
is used to replace the OEM trim panel on top of the dash in 2021+  
Tahoe vehicle that are equipped with OEM center speaker on top  
of the dash. (Purchase separately)

Used for installation steps 5A, 6A and 6B



1/4-20UNC X 1/2" screws and washers

# INSTALLATION INSTRUCTIONS

AS5.E700.002

2021+ Chevrolet Tahoe Tablet Dashmount

## Tools required:

- Ø 3/8" Diameter drill
- 5/32" Hex Allen wrench
- 7/16" Wrench

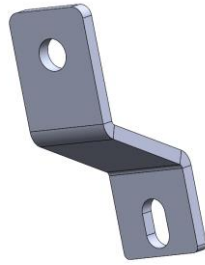
**Step 1:** Gently pry and remove the OEM trims beside the center screen



**Step 2:** Remove the OEM Hex head bolts on both sides



**Step 3:** Attach the steel front supports with the OEM hex bolt



**Step 4:** Re-install the OEM trim

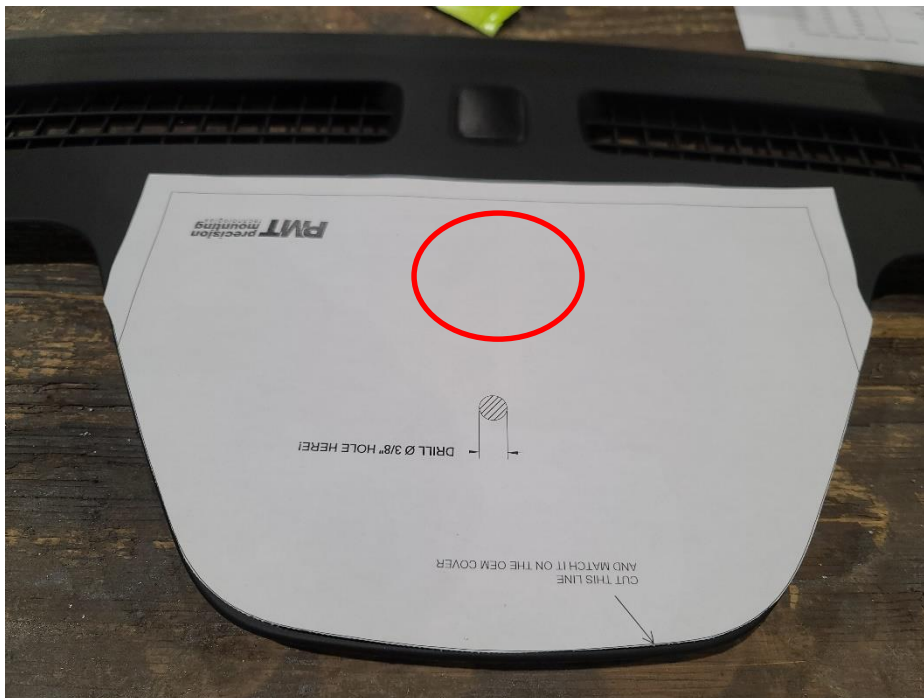


**NOTE: FOR VEHICLE WITH OEM CENTER SPEAKER ON TOP OF THE DASH, SKIP STEPS 5,6,7,8 AND, SEE PAGE 10 FOR STEP 5A**

**Step 5:** Gently pry and remove the top OEM cover



**Step 6:** Match the drilling template paper on top of the cover and the drill  $\varnothing$  3/8" hole



**Step 7:** Remove the center hex bolt under the OEM cover, and attach the “Dashmount rear support” underneath the plastic plate

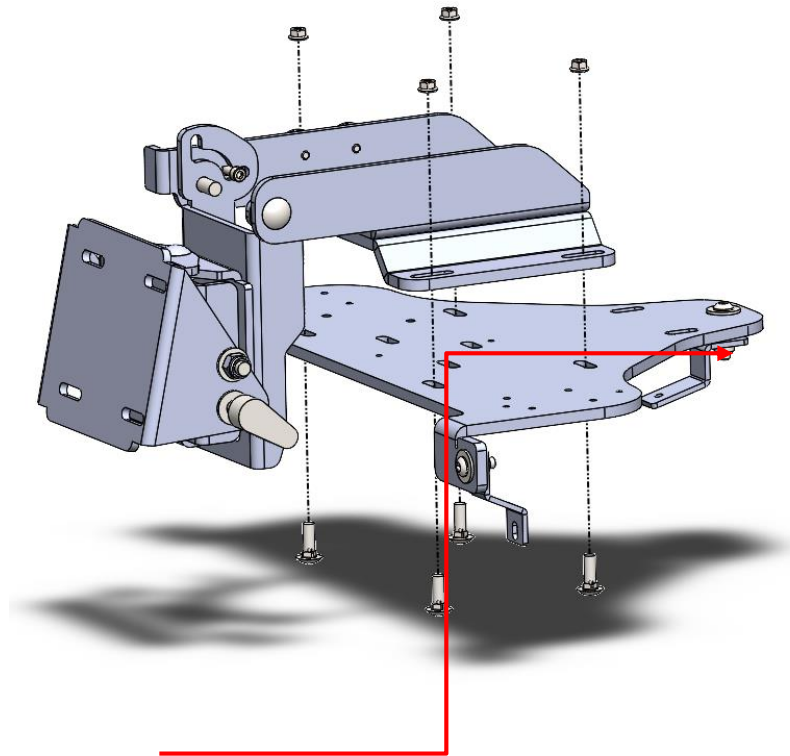


**Step 8:** Re-install the center hex bolt that was removed on step 7 and make sure it is secured and tight





**Step 9A:** Attach the Tablet mount subassembly to dashmount base assembly with 4x 1/4-20UNC X 3/4" and 4x 1/4-20 hex serr flange nut as shown below :



**Step 9B:** Use the one 1/4-20UNC x 1" screw in the back – to fix the entire assembly on vehicle dash as shown

**Step 9C:** Use two 1/4-20UNC x 3/4" screw and 1/4-20 nyloc nut in the front.

Make sure the base assembly is tight and secure

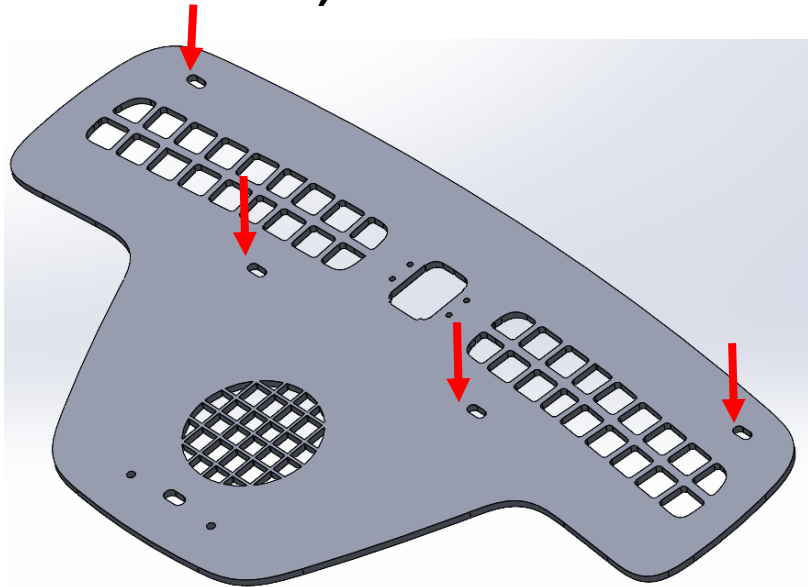


**Step 10:** The final assembly on the dash is completed and a tablet Dock , similar in weight with G1 or CF33 can be mounted using the VESA 75 pattern on the swivel plate as shown.

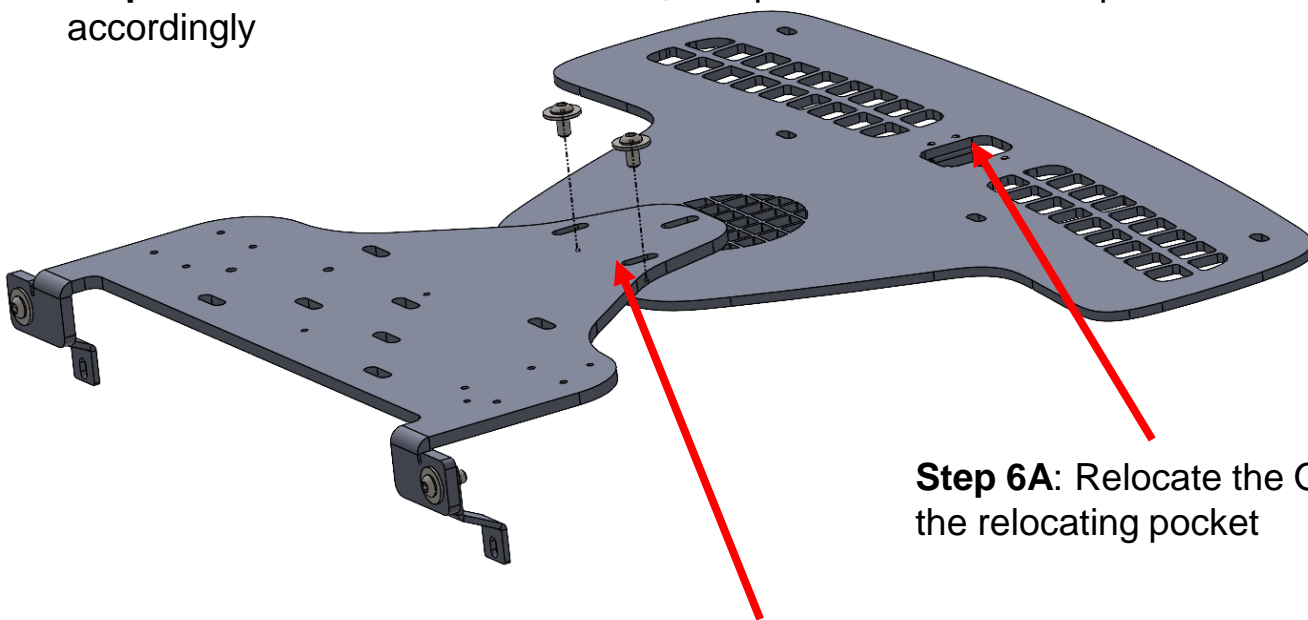


# Additional Hardware Needed For Vehicle with Centre Speaker On Top Of the Dash

(PART# AS4.C235.400-1)



**Step 5A:** Remove four OEM screws, and place the cover on top. Re-attach the screws accordingly



**Step 6A:** Relocate the OEM sensor into the relocating pocket

**Step 6B:** Place the dashmount base on top, and use 2x 1/4-20UNC X 1/2" screws and washers from the hardware bag and tighten both the cover and dashmount base.  
**Then go back to step 9B**