



# 2021+ Chevrolet Tahoe Radio Dashmount with Siren Base

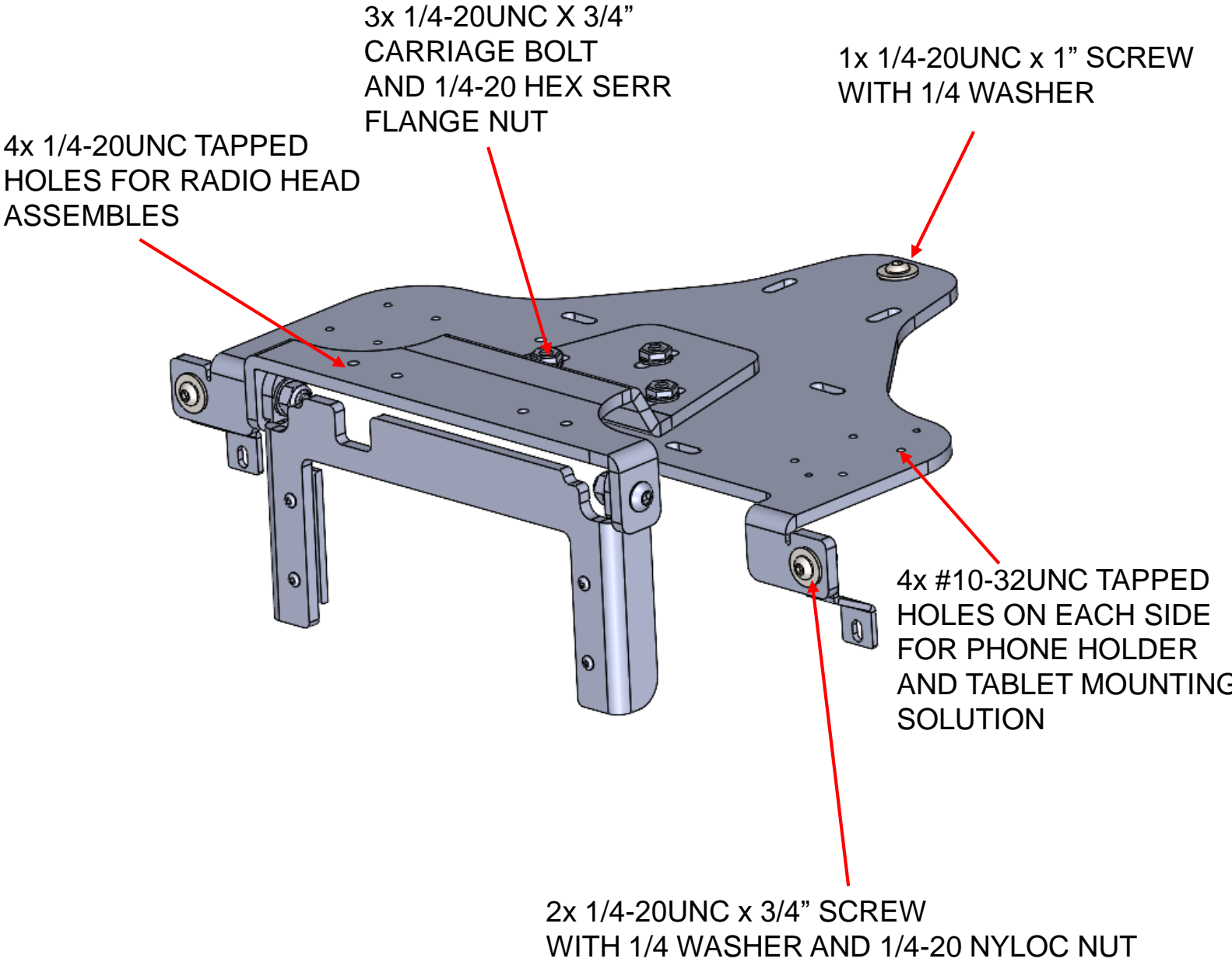
## User Guide

Description	Part Number
2021+ Tahoe Radio Dashmount with Siren Base	AS4.C235.40X

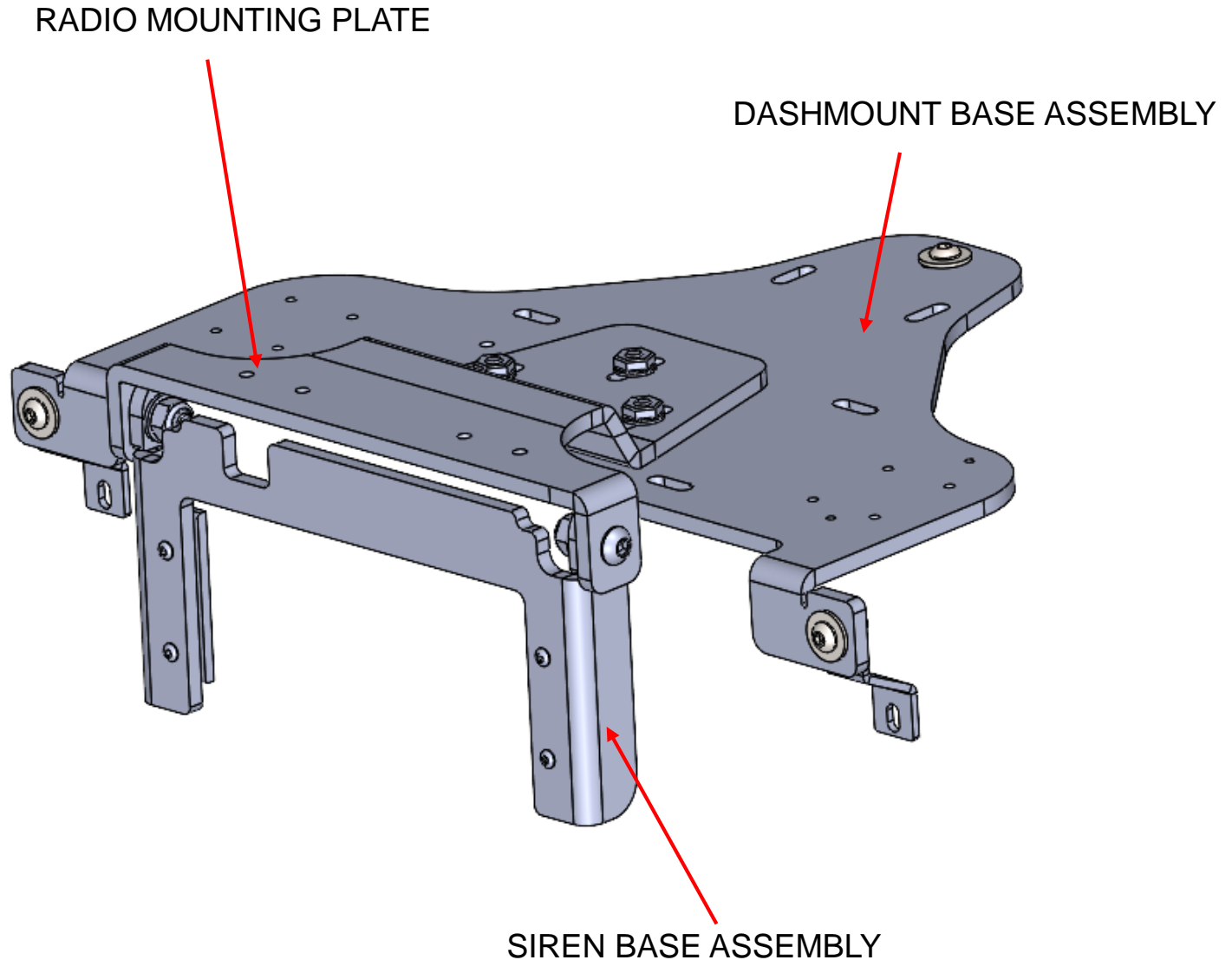
[www.precisionmounts.com](http://www.precisionmounts.com)

call us at 1-888-869-7652 | [info@precisionmounts.com](mailto:info@precisionmounts.com)

# HARDWARE DESCRIPTION



# PARTS DESCRIPTION

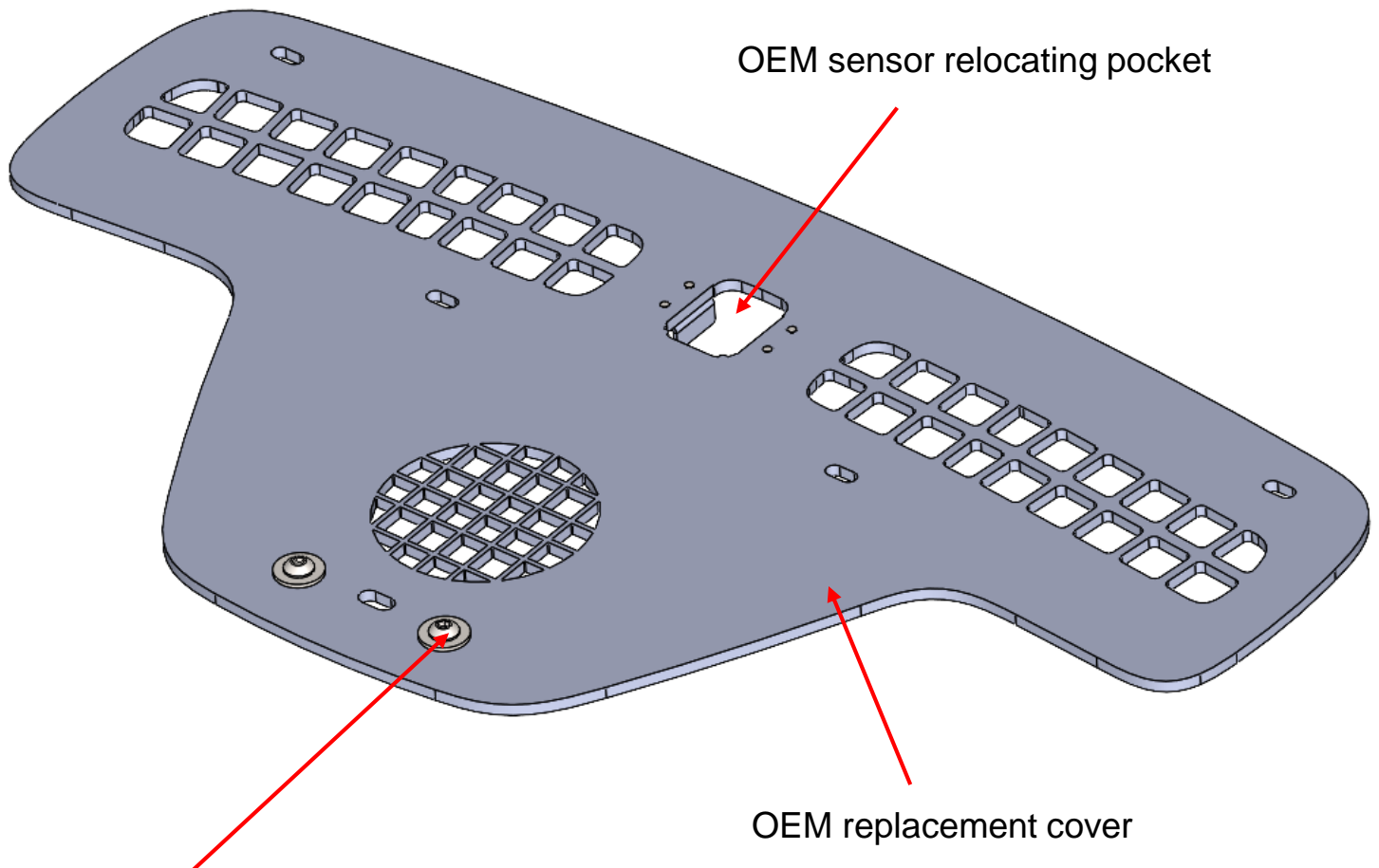


- DASHMOUNT BASE ASSEMBLY: This assembly attaches to vehicle dash over the trim panel of vehicle dash.
  - SIREN BASE ASSEMBLY : It may look different depends on the model of siren controller
- \*"Radio only" option also available (AS4.C235.401)

# PART AND HARDWARE DESCRIPTION (OPTIONAL)

2021+ Tahoe dashmount OEM replacement cover(AS4.C235.400-1) is used to replace the OEM trim panel on top of the dash in 2021+ Tahoe vehicle that are equipped with OEM center speaker on top of the dash. (Purchase separately)

Used for installation steps 5A, 6A and 6B



1/4-20UNC X 1/2" screws and washers

# INSTALLATION INSTRUCTIONS

AS4.C235.402

2021+ Chevrolet Tahoe Radio Dashmount with Whelen CenCom Base

## Tools required:

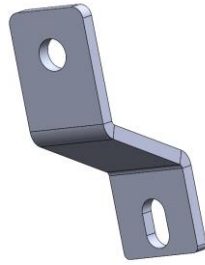
- Ø 3/8" Diameter drill
- 5/32" Hex Allen wrench
- 7/16" Wrench

**Step 1:** Gently pry and remove the OEM trims beside the center screen



**Step 2:** Remove the OEM Hex head bolts on both sides

**Step 3:** Attach the steel front supports with the OEM hex bolt



**Step 4:** Re-install the OEM trim

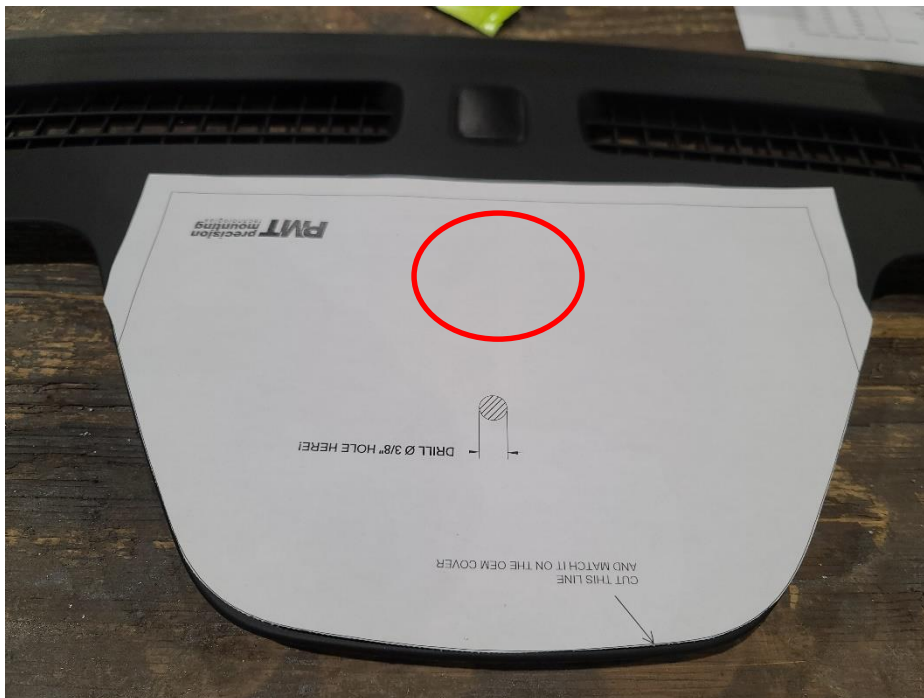


**NOTE: FOR VEHICLE WITH OEM CENTER SPEAKER ON TOP OF THE DASH, SKIP STEPS 5,6,7,8 AND, SEE PAGE 10 FOR STEP 5A**

**Step 5:** Gently pry and remove the top OEM cover



**Step 6:** Match the drilling template paper on top of the cover and the drill  $\varnothing$  3/8" hole



**Step 7:** Remove the center hex bolt under the OEM cover, and attach the “Dashmount rear support” underneath the plastic plate



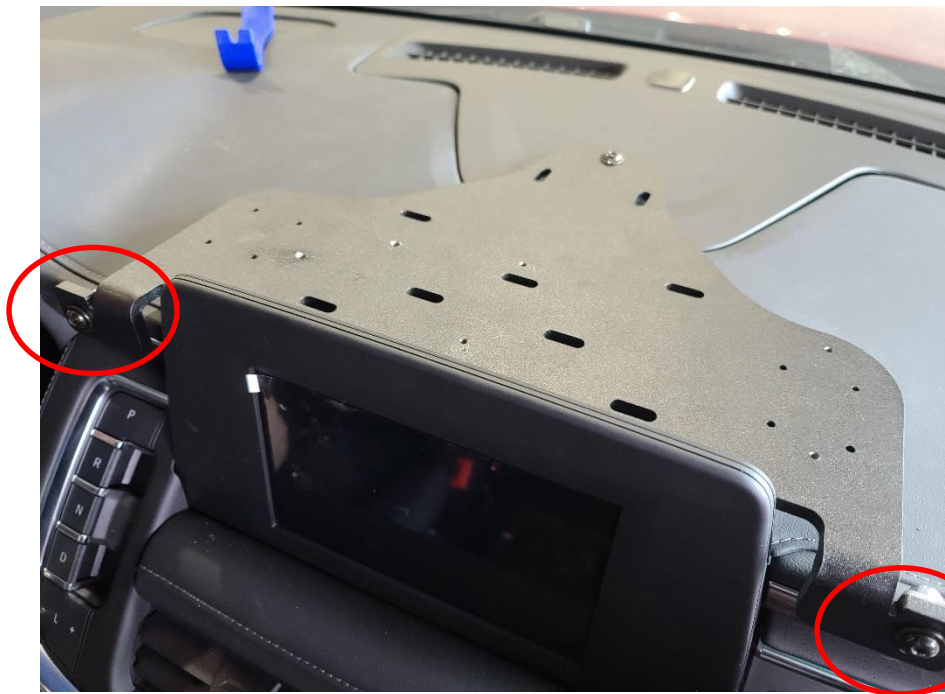
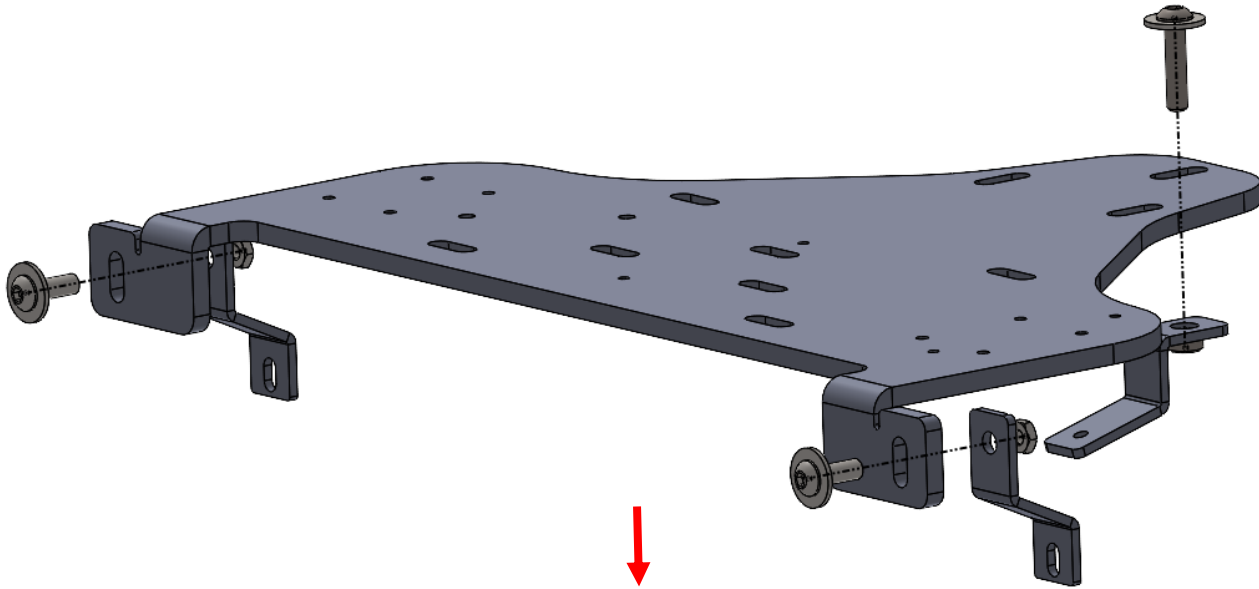
**Step 8:** Re-install the center hex bolt that was removed on step 7 and make sure it is secured and tight



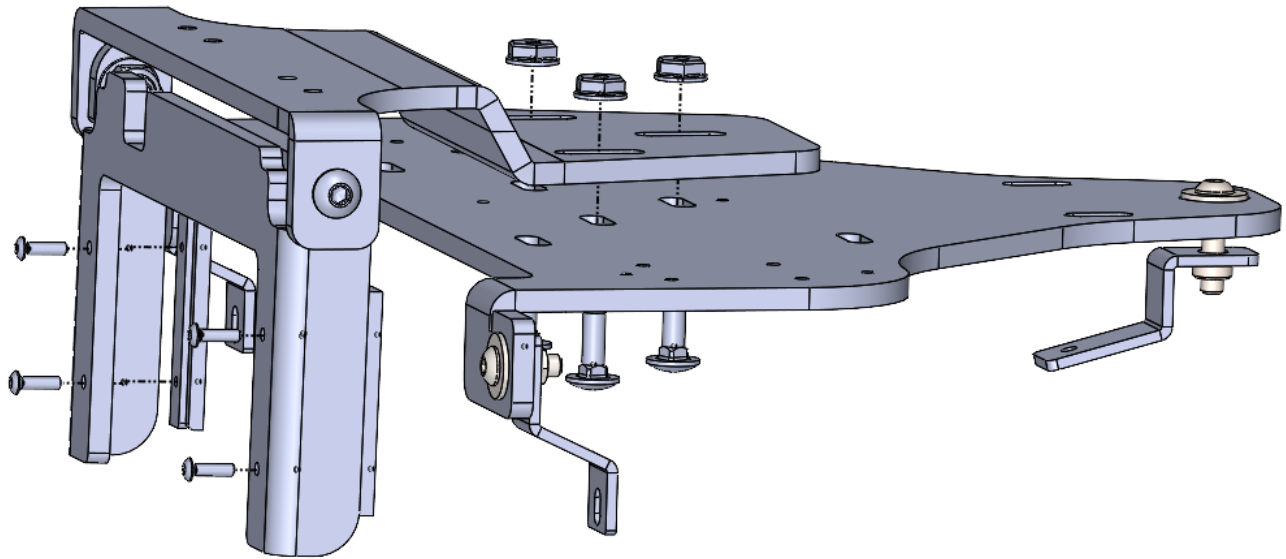


**Step 9A:** Attach the Dashmount base assembly with one 1/4-20UNC x 1" screw in the back.

**Step 9B:** Use two 1/4-20UNC x 3/4" screw and 1/4-20 nyloc nut in the front. Make sure the base assembly is tight and secure



**Step 10:** Attach the radio mounting plate and Siren base assembly to the dashmount base assembly with three 1/4-20UNC x 3/4" carriage bolts and 1/4-20 hex serrated flange nuts

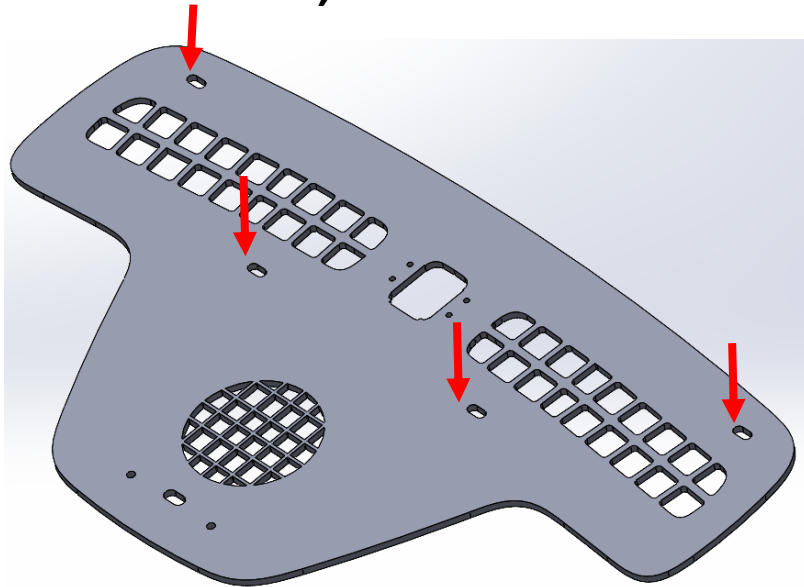


**Step 11:** Attach the Siren controller to the bracket and secure it with screws provided in the assemblies

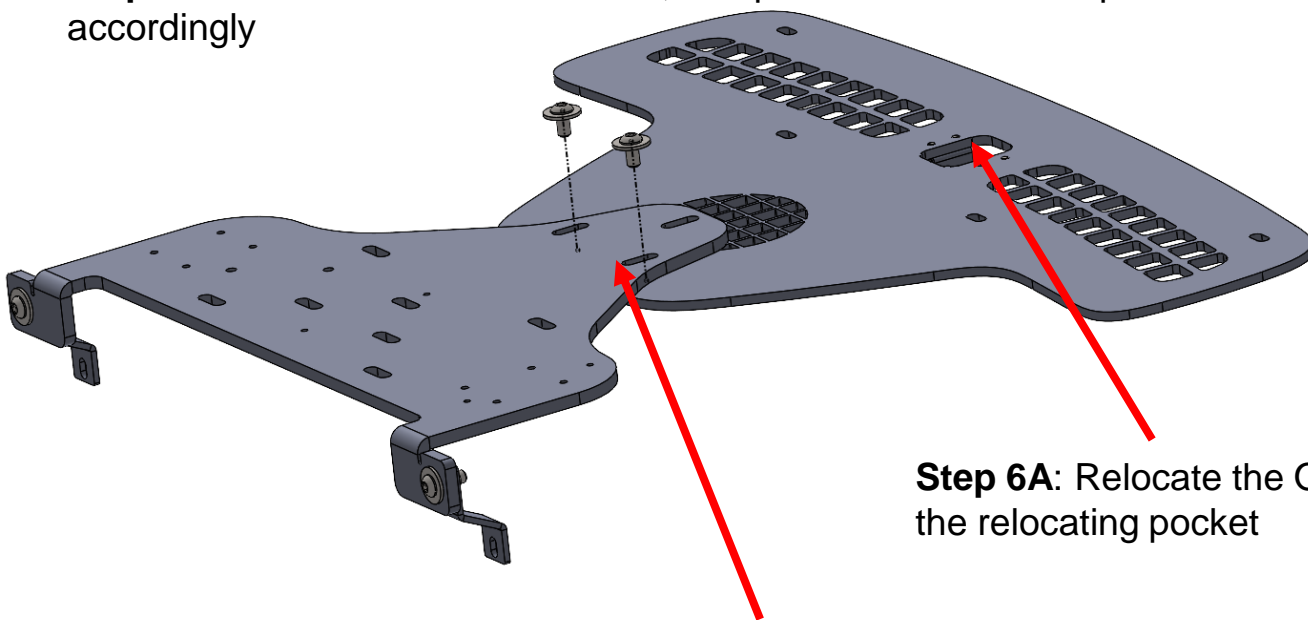


# Additional Hardware Needed For Vehicle with Centre Speaker On Top Of the Dash

(PART# AS4.C235.400-1)



**Step 5A:** Remove four OEM screws, and place the cover on top. Re-attach the screws accordingly

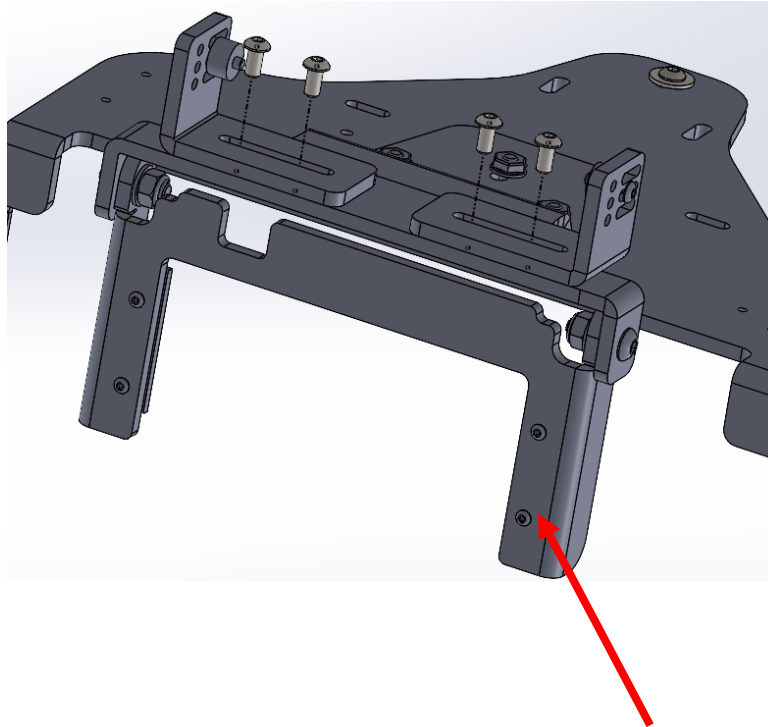


**Step 6A:** Relocate the OEM sensor into the relocating pocket

**Step 6B:** Place the dashmount base on top, and use 2x 1/4-20UNC X 1/2" screws and washers from the hardware bag and tighten both the cover and dashmount base.  
**Then go back to step 9B**

# Additional Install Options Available

Different radio head assembly options available



SIREN BASE ASSEMBLY FOR DIFFERENT SIREN CONTROLLER  
\*(It may look different depends on the model of siren controller) \*

## Additional Install Options

Phone holder option available.

Item shown is 'Screw Base Cell Phone Holder', part number 7160-0995-00



# Additional Install Options

Light weight tablet mounting options available. Contact PMT sales for available options.

