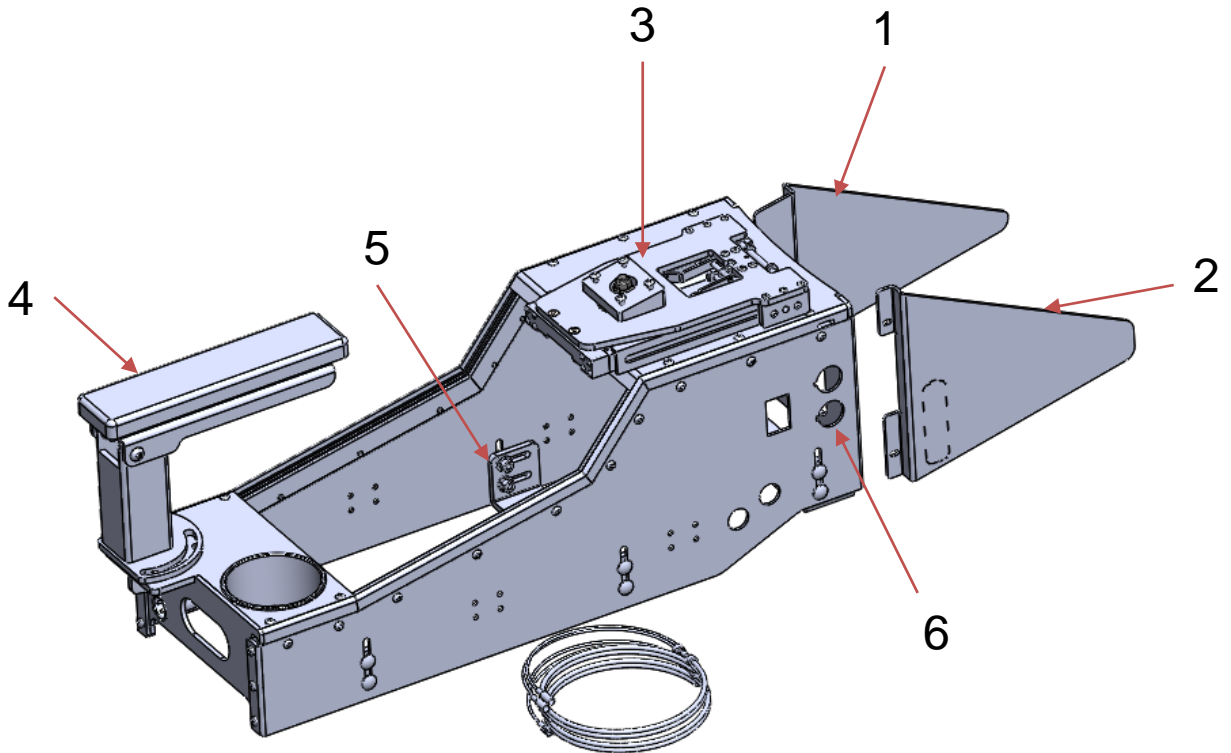


INSTALL GUIDE FOR PMT 2021+ DODGE CHARGER CONSOLE



2021+ console with optional break-away armrest, cup holder and in-console printer

DESCRIPTION OF PARTS



1. Left panel - driver side wing
2. Right panel - passenger side wing
3. Flat mouse trap with wedge tilt to mount docking stations
4. Arm rest and Cup holder
5. Mounting brackets
6. 12 Volt charging outlet

STEPS TO INSTALL

1. Before starting the install - the vehicle interior looks as shown below.



2. Remove the OEM trim panel from the OEM center console as shown



3. Remove the bolts used to fix the railing part as shown below, use 8 mm socket head tool to remove the bolts.



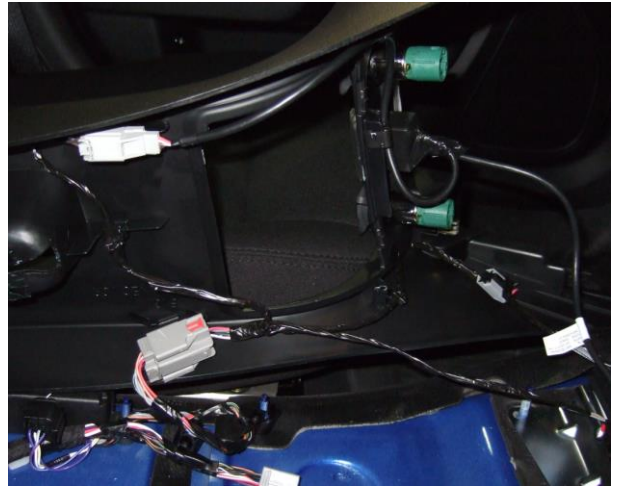
4. Remove the center console by removing the 8mm socket nuts and the trim panels as shown below.



5. Disconnect the OEM 12V charging sockets from trim panel sockets and USB module electrical cords from the dash, see pictures below, the 1st & 4th picture at bottom right is just for reference and not from the 2021 model.



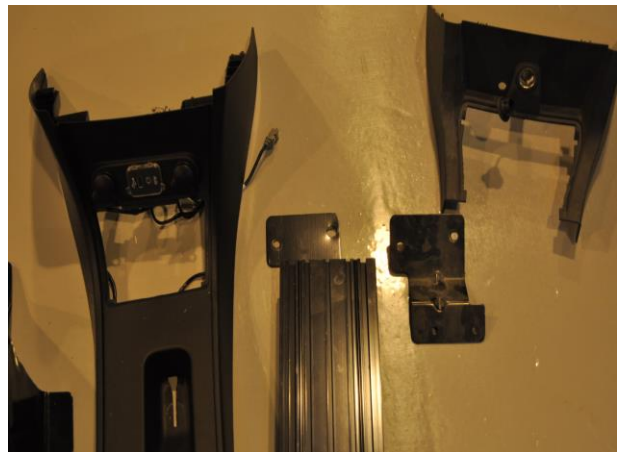
1



2



3



4

6. Remove the USB module from the vehicle dash trim panel (ensure to disconnect the electrical cords after pulling out the module).

6. Mount the leg brackets of Console as shown below to the OEM 8mm socket bolts as shown below.



8mm OEM socket bolts

7. Fasten the leg brackets with the console shell as shown below with #10-24 socket and 8mm OEM socket bolts as shown below.



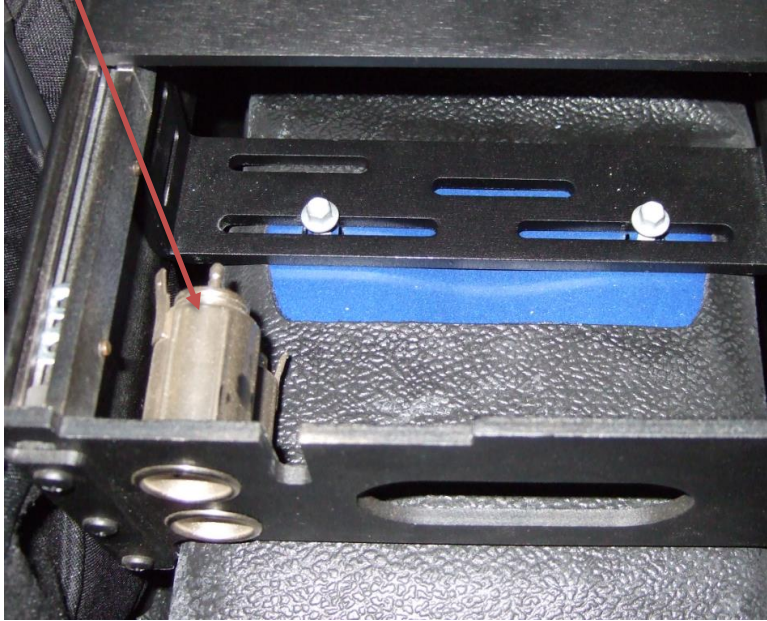
8. Drill holes at appropriate locations to mount the trim panels on driver side and passenger side as shown below, after matching the trim panels with the dash to fill any gaps.



9. Fix the USB module removed from the dash into the cutout provided on passenger side trim panel, fix the passenger side trim panel to the console, and connect the USB cords which were disconnected previously.



10. Connect the 12 V charging sockets disconnected from the OEM dash trim to the cigarette plug charging sockets provided on the PMT console, ensure to torque all the bolts.



11. Ensure to check all the electrical connections, then mount the desired devices with appropriate faceplates to the console as shown in the example picture below.

