

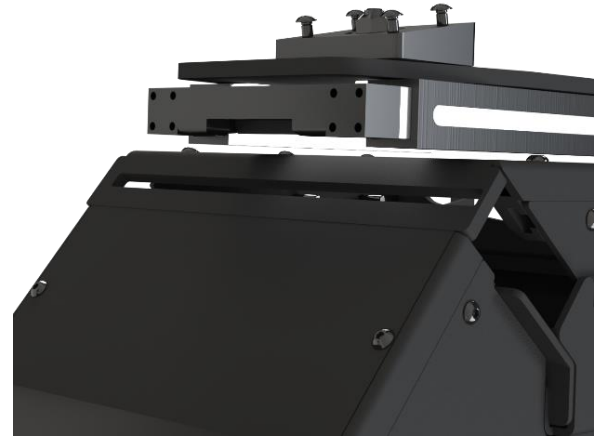


2021+ DODGE CHARGER CONSOLE

Console to fit the 2021+ Dodge Charger available either with or without built-in printer mounting solution for Brother PJ7 series printers. Vehicle specific mounting kit and trim panels included to ensure best fitment within the cabin.

FEATURES

- Available either with or without in-console printer solution for Brother PJ7 series printers
 - Aircraft-grade aluminum construction
 - High-durability black epoxy powder coat finish
 - Customizable with an array of accessories such as armrest/printer, cupholders, equipment specific faceplates containment trays, locking boxes etc.
 - Choice of part number kits to select from
- Dual 12v sockets
 - Armrest / cupholder and PMT mousetrap included (part number dependent)
 - 10" space in the body, 4" space for armrest / cupholder, space in angle: 3.5" for non-printer version, 4" for printer version (maximum depth 3.5")
 - Limited lifetime warranty



ITEM NO.	DESCRIPTION	HEIGHT	WIDTH	DEPTH	WEIGHT
AS4.C229.401	Non-printer version. Includes armrest cupholder and faceplates / blanks to fill	11.24"	10.52"	39.82"	16.65 lbs
AS4.C229.402	Non-printer version. Includes PMT mousetrap with wedge tilt, armrest cupholder and faceplates / blanks to fill	11.77"	10.52"	39.82"	21.00 lbs
AS4.C229.405	Non-printer version. Motion attachment, Armrest, cupholder, faceplates, blanks not included, need to be ordered separately	9.52"	10.52"	36.99"	12.60 lbs
AS4.C229.411	Printer version. Includes armrest cupholder and faceplates / blanks to fill	11.24"	10.52"	39.82"	18.75 lbs
AS4.C229.412	Printer version. Includes PMT mousetrap with wedge tilt, armrest cupholder and faceplates / blanks to fill	11.77"	10.52"	39.82"	23.10 lbs
AS4.C229.415	Printer version. Motion attachment, Armrest, cupholder, faceplates, blanks not included, need to be ordered separately	9.52"	10.52"	36.99"	14.70 lbs

