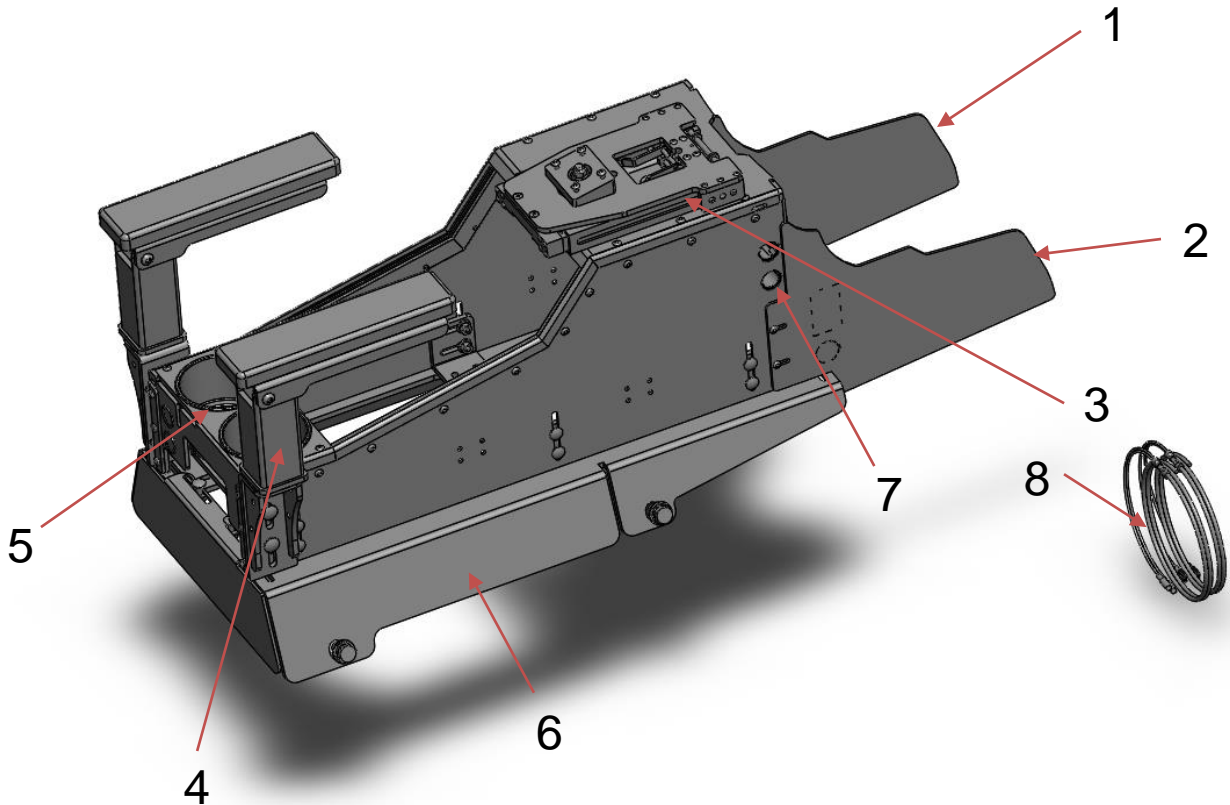


## INSTALL GUIDE FOR PMT 2021+ CHEVROLET TAHOE 9" WIDE AND 12" WIDE CONSOLE



9" wide 2021+ console shown with optional blank faceplates, side break-away armrests, dual cup-holder, mousetrap motion mount with tilt and docking station.

# DESCRIPTION OF PARTS



1. Left Trim panel- driver side wing
2. Right trim panel- passenger side wing
3. Flat mouse trap with wedge tilt to mount docking stations
4. Side mount arm rest
5. Cup holder
6. Mounting leg kit
7. 12 Volt charging outlet
8. Wire harness

# STEPS TO INSTALL

1. Remove OEM center seat, with 18mm socket. After removing the 4 bolts, remove the center seat, (keep bolts for re-use or use hardware provided) disconnect any electrical harness. See Fig 1



Fig 1

2. Relocating OEM USB & 12V. \*First remove the lower center trim by loosening the bolt on the driver side with a 7mm socket then pull on the trim straight back (trim is held on by clips)  
\*Trim that is holding the USB & 12V housing can be pulled out in the same manner. \*Disconnect the harness. See Fig 2



Fig 2



- Align the Tahoe leg kit brackets with the OEM holes as shown in Fig 3, use the M12 bolts provided or OEM bolts to fasten the leg kit, by using an 18mm socket

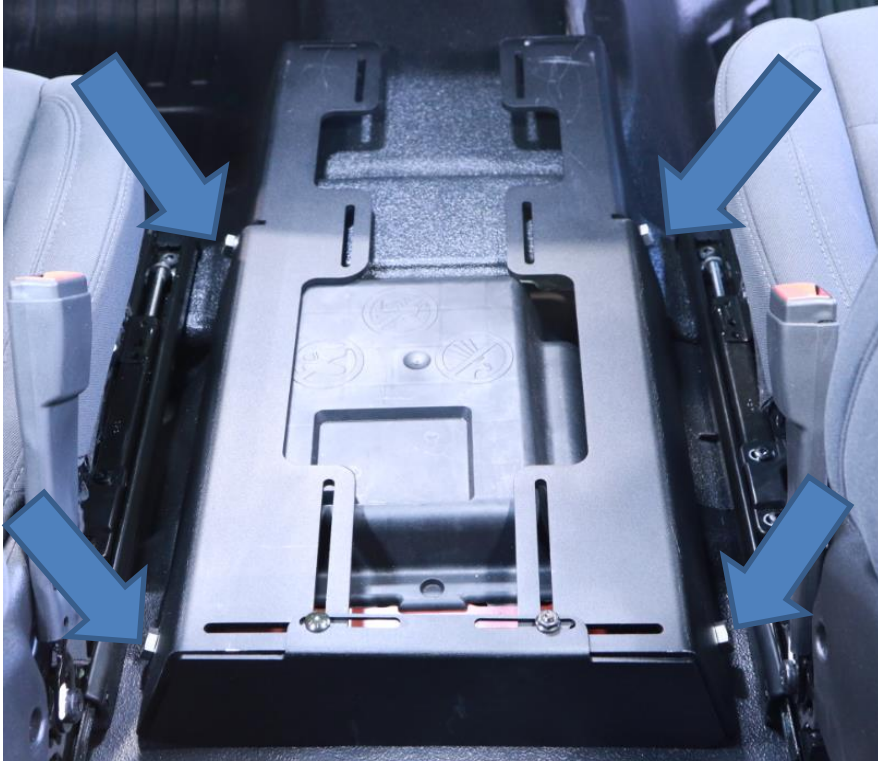


Fig 3

- Align the console box over the leg kit as shown and fasten the leg brackets with the console leg brackets as shown in Fig 4, 5- use a 7/16" socket wrench

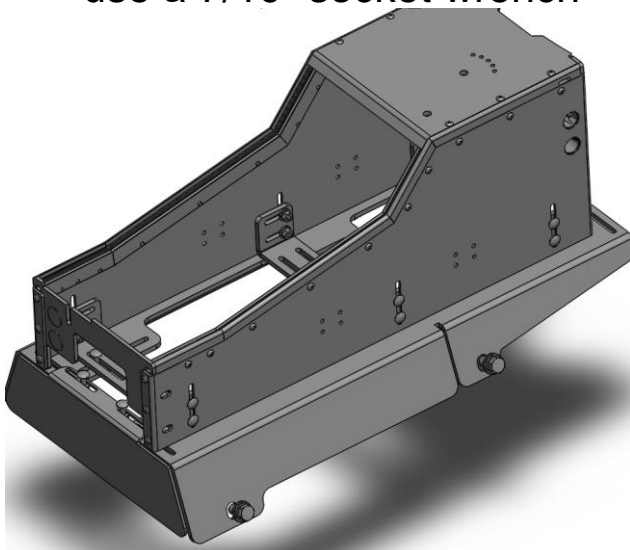


Fig 4



1/4-20 Carriage bolts and nuts provided with Leg kit

Fig 5

5. While trim is loose, to gain more length in the harness behind the trim, pop out the push in clips that are holding the harness then reinstall the center trim pieces. Install the USB & 12V housing on passenger side of console. See Fig 6



Fig 6

6. Install the trim panels on driver side and passenger side by drilling / tapping holes for #10-24 hardware at the proper locations on console plates to match the trim panels with the vehicle dash. See Fig 7



Fig 7

7. Now the console can be installed with all other equipment required - see Fig 8 below as an example.



Fig 8

**Note:** This install guide can be used for the console configurations listed below:

- AS7.C228.501/502/505
- AS7.C228.801/802/805
- AS7.C228.901/902/905