



# 2020+ GM TRUCK REAR UNDERSEAT STORAGE VAULT USER GUIDE

Description	Part Number
2020+ GM TRUCK REAR UNDERSEAT STORAGE VAULT	AS4.C128.301

#### Product Mounting Disclaimer

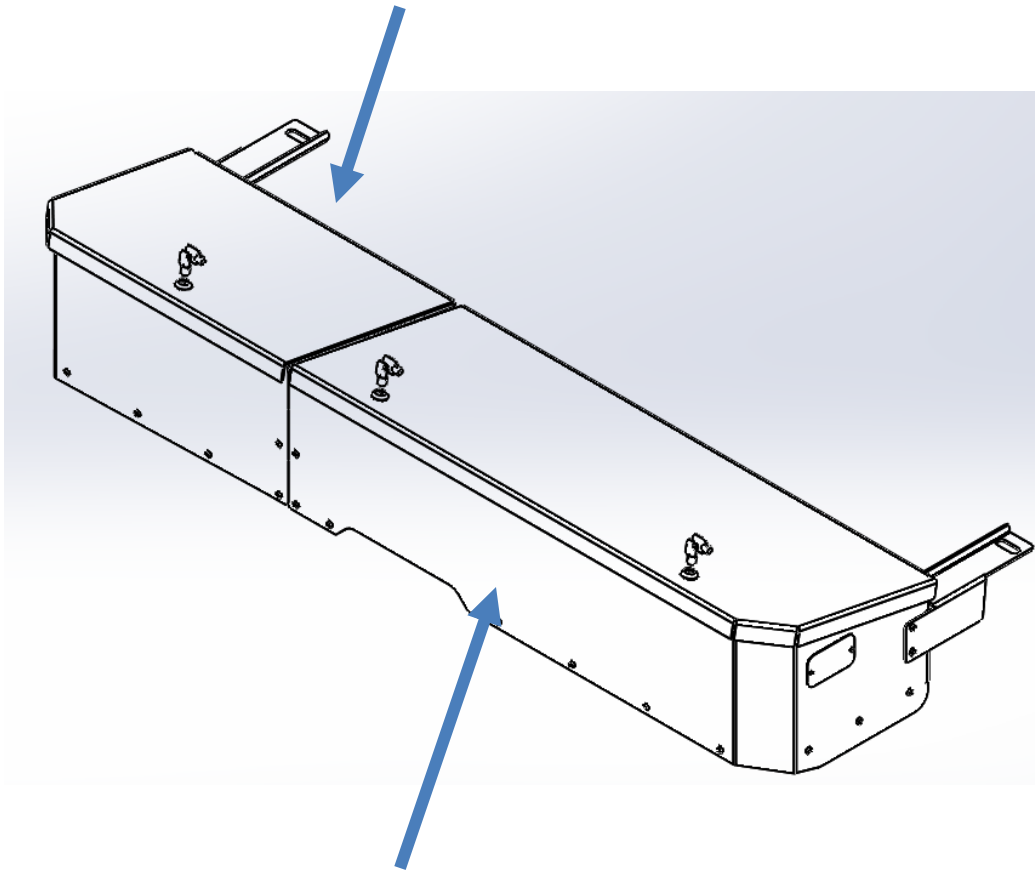
Precision Mounting Technologies Ltd (PMT) are not liable under any theory of contract or tort law for any loss, damage, personal injury, special, incidental or consequential damages for personal injury or other damage of any nature arising directly or indirectly as a result of the improper installation or use of its products in vehicle or any other application. In order to safely install and use PMT products full consideration of vehicle occupants, vehicle systems (i.e., the location of fuel lines, brake lines, electrical, drive train or other systems), air-bags and other safety equipment is required. PMT specifically disclaims any responsibility for the improper use or installation of its products not consistent with original vehicle manufactures specifications and recommendations, PMT product instruction sheets, or workmanship standards as endorsed through PMT policies and EULA.



# PARTS & HARDWARE DESCRIPTION

## AS4.C128.301

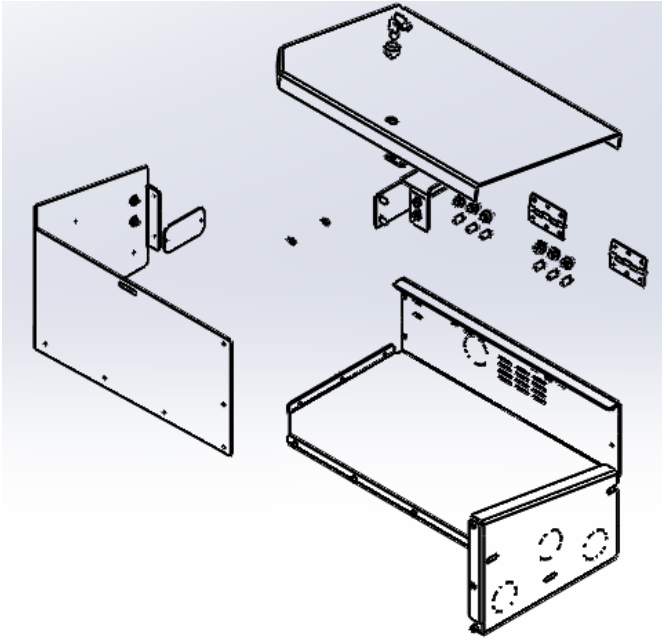
Underseat Storage Vault – Short Side



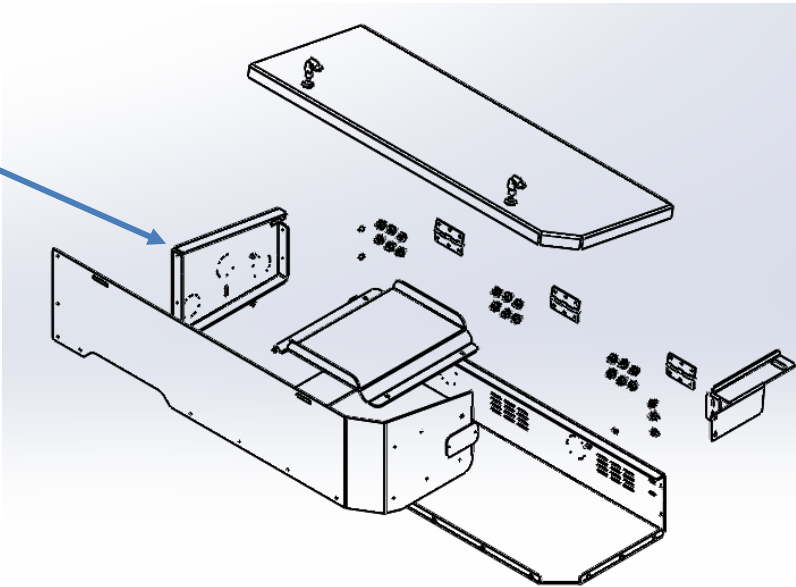
Underseat Storage Vault – Long Side

# PARTS & HARDWARE DESCRIPTION

## AS4.C128.301



Side Covers



# PARTS & HARDWARE DESCRIPTION

## AS4.C128.301

### Tools and hardware required:

- Socket set suitable for #1/4-20 wrench
- Adjustable wrench

### INSTALLATION PARTS:

<u>QTY</u>	<u>DESCRIPTION</u>
1	Underseat Storage Vault – Short Side
1	Underseat Storage Vault – Long Side

# INSTALLATION INSTRUCTIONS

## STEP 1:



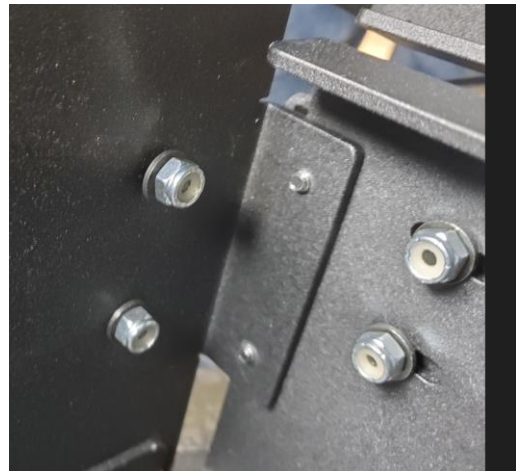
a) Uninstall the seat brackets using a proper wrench.



b) Place the bracket under the seat bracket and put the original bolt in place and leave it loose (both sides).



c) Place the underseat vaults in their respected locations.



d) Add 10-24 screws, washers and lock nuts to attach the side brackets to the vaults and leave them loose.

# INSTALLATION INSTRUCTIONS

## STEP 2:



a) Add the middle carriage screws and nuts to attach side covers of long and short sides together and fully tighten.



b) Fully tighten the side brackets 10-24 screws and nuts.



c) Tighten the original seat bracket bolts as per OEM recommended torque.

# INSTALLATION INSTRUCTIONS

## STEP 3:



The installation is now complete.