



Install and User Guide for Whelen Cencom headliner mount 2020+ Ford Police Interceptor SUV



Installation Guide



OEM headliner prior to install



Gently use prying tools to OEM headliner



Use T-20 Torx screw driver to remove 10 T-20 screws from the back cover



Take off the back cover plate



Remove the rear dome light section

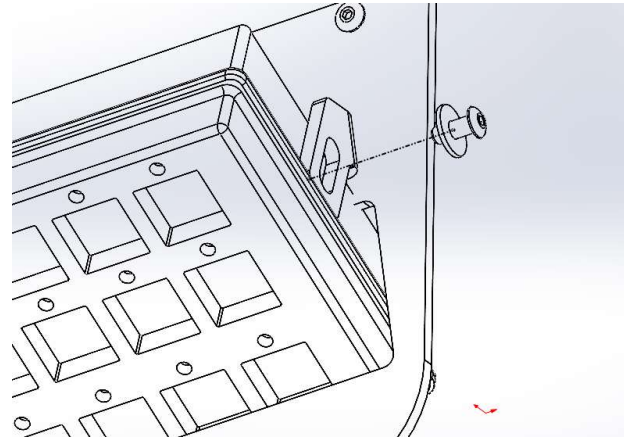


Re-install 10 T-20 Torx screws back and put the headliner back in.

Installation Guide



Put #6 nut each side into the ear slots on the Whelen controller



Use #6 x 3/8" and #6 washer on each side to tight the controller to the headliner plate



Put the assembly to the OEM headliner plate, and mark six holes. Use 1/16" drill through those holes.



Drive six #8 x 1/2in pan head Plastite screws in to secure the whole assembly.