



2015-2020 & 2021+ F150 & 2017+ F250-550 FLOOR U-BRACKET KIT

User Guide

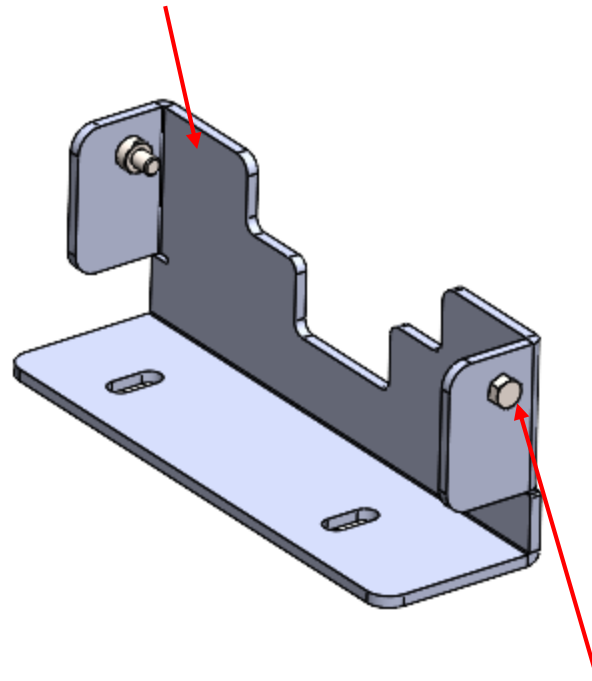
Description	Part Number
2015-2020 & 2021+ F150 & 2017+ F250-550 FLOOR U-BRACKET KIT	AS4.R121.004

www.precisionmounts.com

call us at 1-888-869-7652 | info@precisionmounts.com

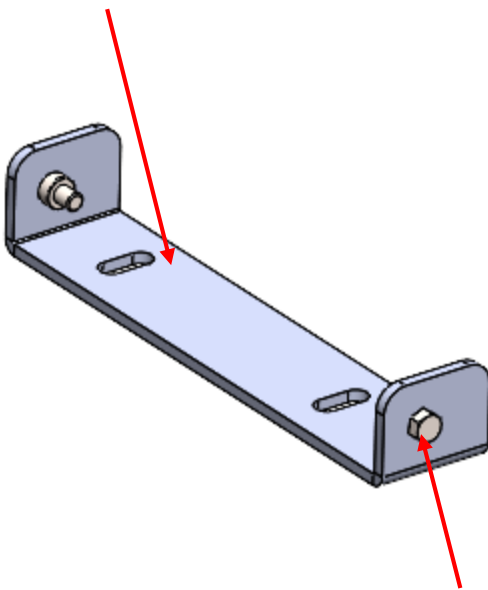
PARTS AND HARDWARE DESCRIPTION

2015+ F150/F250 Floor U-Bracket Rear



2x 3/8"-16X1" Hex Head Bolt

2015+ F150/F250 Floor U-Bracket Front



2x 3/8"-16X1" Hex Head Bolt

INSTALLATION INSTRUCTIONS

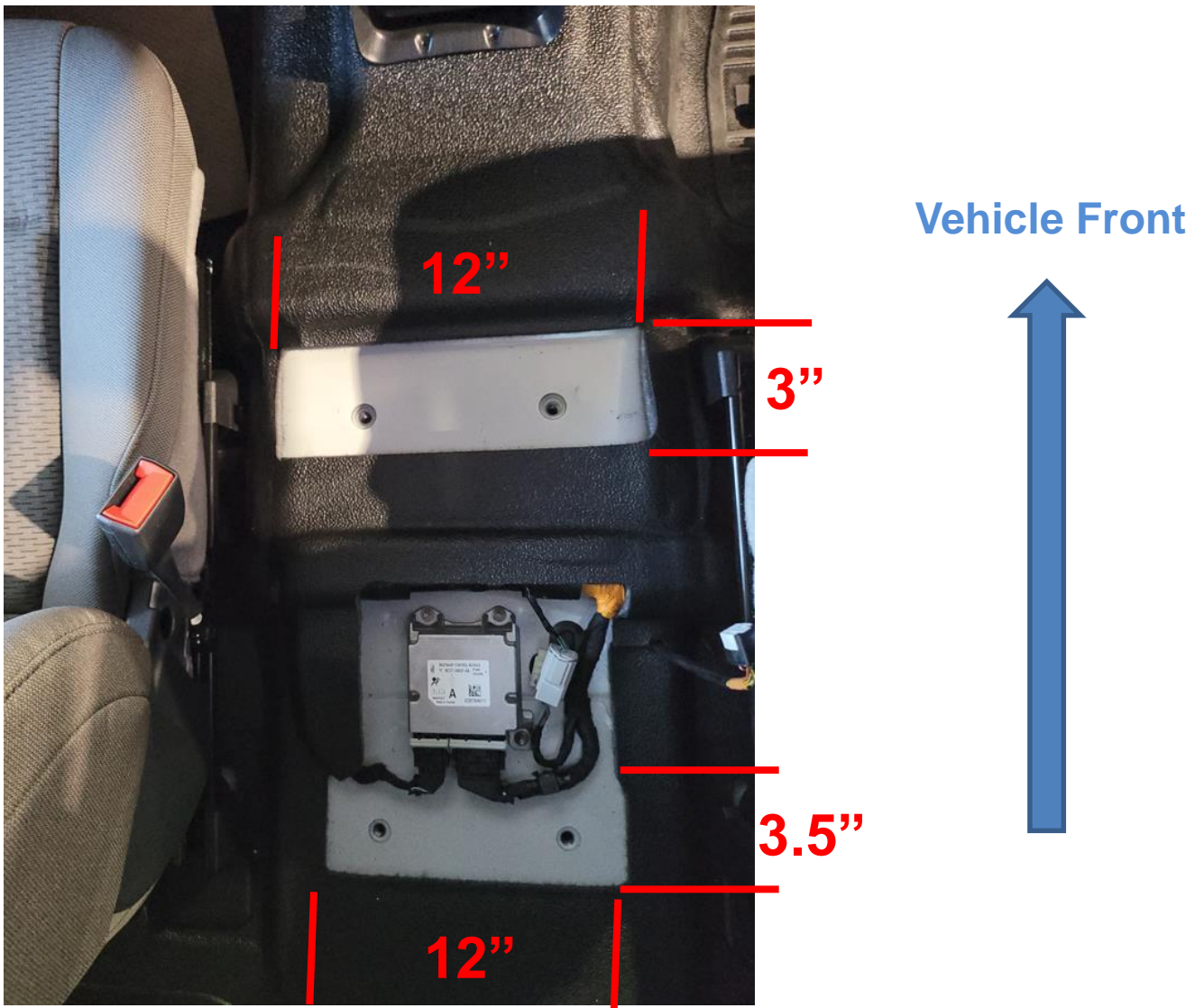
AS4.R121.004

2015-2020 & 2021+ F150 & 2017+ F250-550 FLOOR U-BRACKET KIT

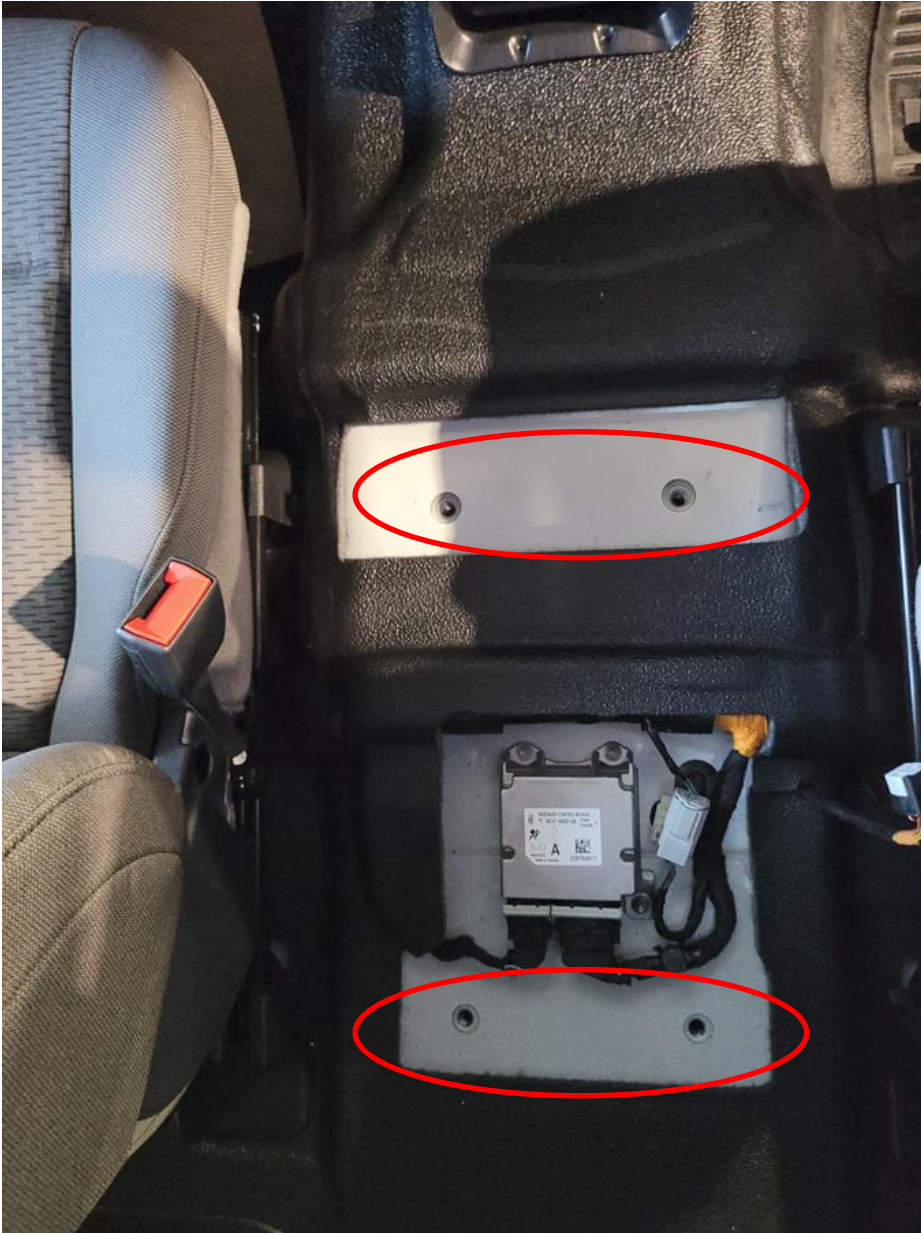
Tools and hardware required:

- M12 x 50mm(2") tap
- M12 x 50mm bolts and washers
- 18mm wrench
- 15mm wrench

Step 1: If the mounting holes are covered by the floor mat, cut below dimensions before installing the U-Bracket



Step 2: If the four mounting holes are not pre-tapped, use the M12 x 50mm(2") tap and tap 4 holes at least 50mm depth

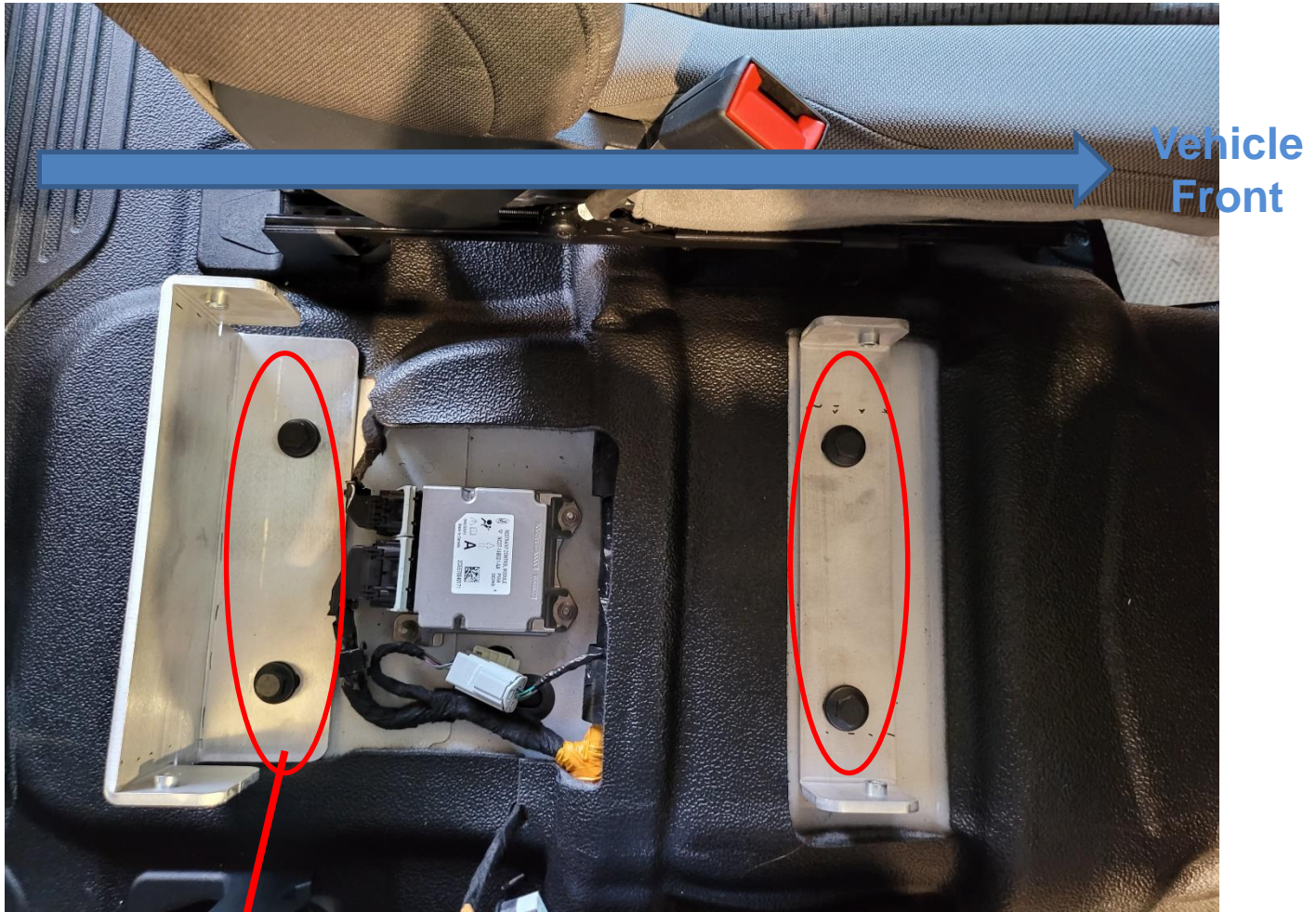


Step 3: Place the front and rear U-bracket according to the picture below



**Vehicle
Front**

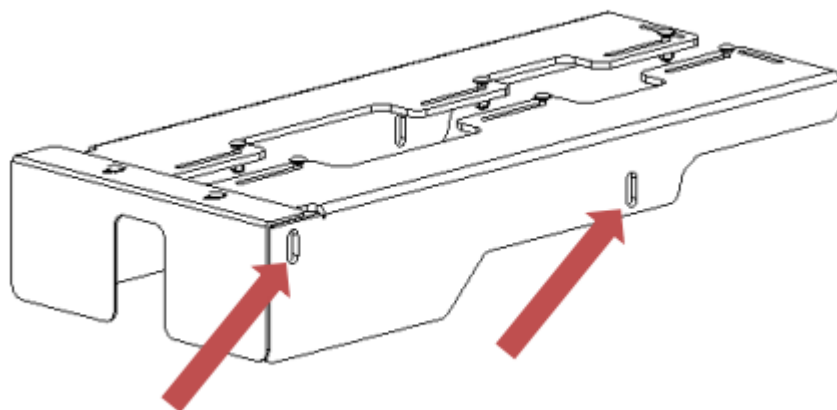
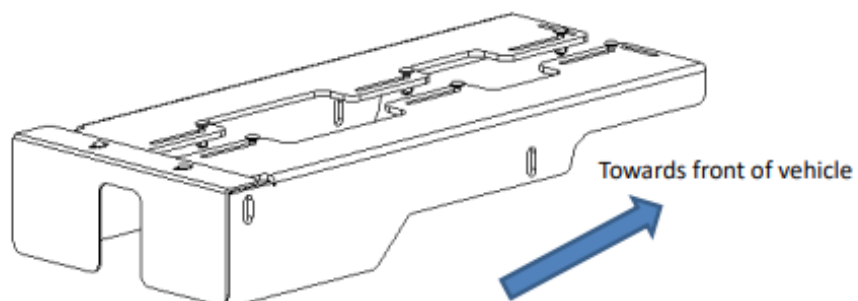
Step 4: Attach the M12x50mm bolts and tighten it securely.



Sourcing the original M12x50MM OEM bolts and washers for better strength and durability is highly recommended.

Step 5: Use the supplied 3/8"-16X1" Hex Head Bolt to attach the 2015+ F150 floor brackets---AS4.R121.002 (sold separately).

Towards front of vehicle



For more details regarding how to install the floor bracket, please find the link below.

<https://www.precisionmounts.com/products/2015-2020-ford-f150-2017-f250-550-console-mounting-kit>