



Install Guide for PMT Consoles and Mounting Systems for the 2015+ FORD F150

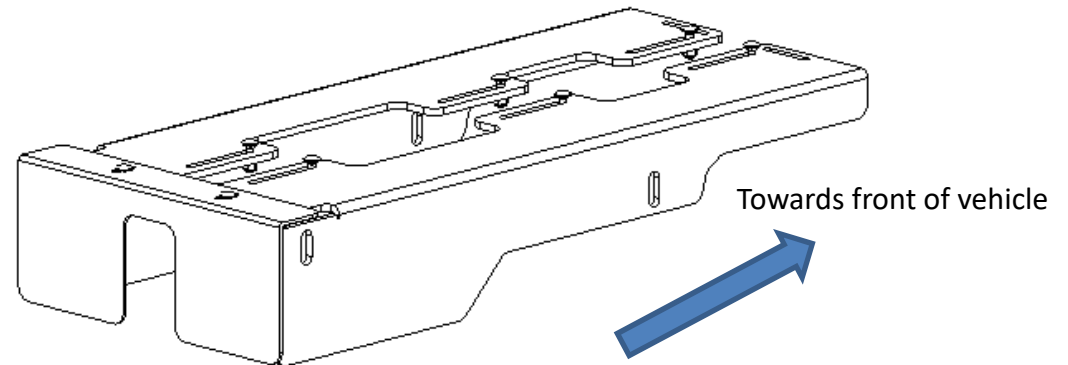


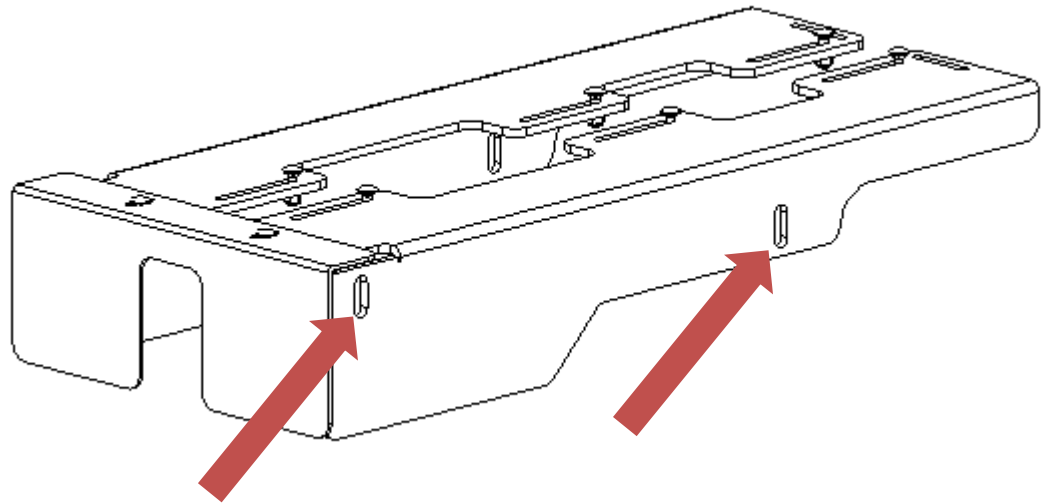
Standard 2015 F150 console with break-away armrest, trim panels, and Mousetrap Motion Mount

Step 1: Install Base Brackets

Install base brackets so that the cantilevered end goes towards the front of the vehicle as shown. The holes on the vertical part of the brackets line up with holes on the hump of the vehicle itself. The cantilevered end of the brackets also has a spacer screwed to the inside which will help identify direction. Use this time to insert the supplied carriage bolts in the slots as pictured for mounting the console in a later step.

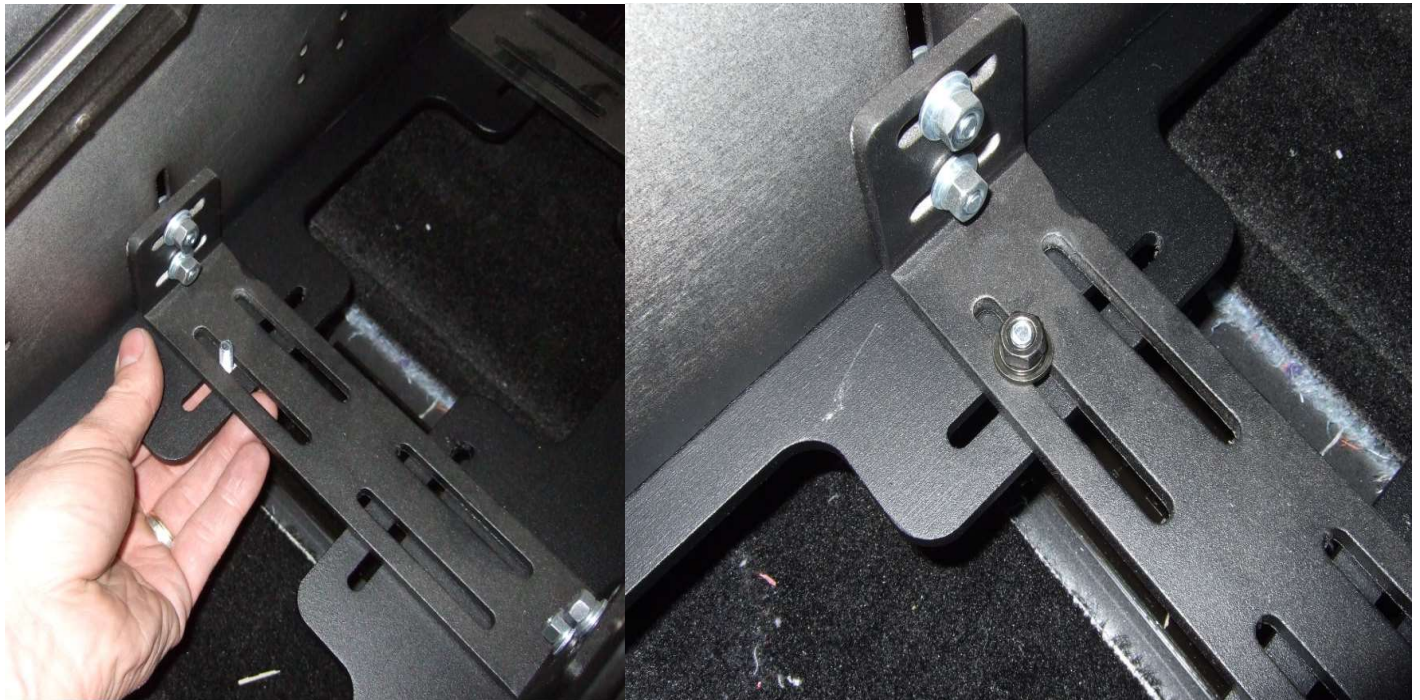
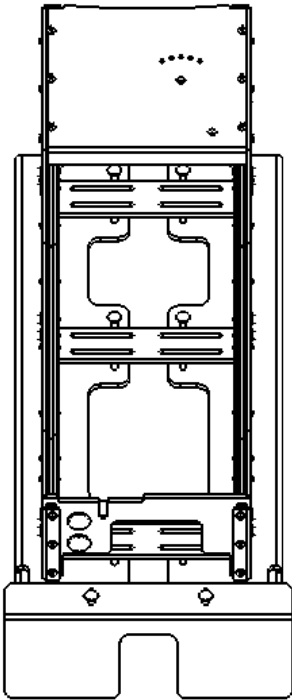
Towards front of vehicle





Use the supplied bolts to attach the front of the brackets to the vehicle and use the bolts that came with the vehicle to attach the rear end of the brackets to the vehicle. Do not fully tighten bolts yet. Note that some models of vehicles may need the holes in the hump threaded to match the bolt used.

Step 2: Position Console



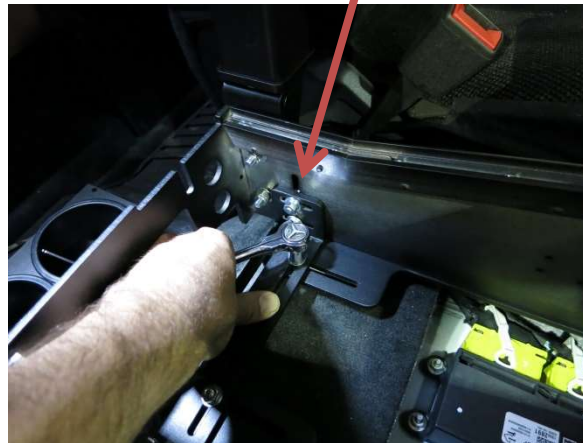
Place console on top of Base Brackets as shown and so that the front of the console is as close to the dash as possible. The cross brackets inside the console should line up with the Base Bracket slots and carriage bolts that were inserted in step 1. Insert and loosely tighten any remaining carriage bolts and nuts so there is a minimum of 2 carriage bolts per cross bracket for a total of 6 bolts attaching the console to the Base Brackets.

Step 3: Tighten all Hardware



Go back and fully tighten the 4 bolts attaching the Base Brackets to the vehicle now that all bolts are in place, and console is positioned where you want it.

Side Mount Armrest bolts



You can now go inside the console and tighten all bolts including the bolts attaching the cross brackets to the console itself.

If not already attached, install the side mount armrest to the driver side of the console at this time.

Step 4: Attach Trim Plates

*F150 Only

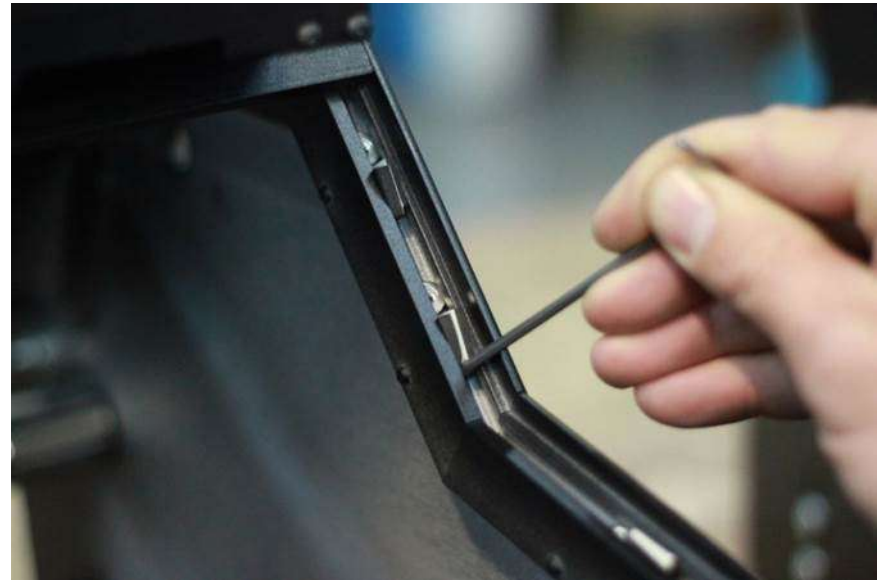


Attach left and right trim plates by lining up with the console and dash and attaching to console with two screws (not provided) per side as shown



Step 5: Install Face Plates

- Install the optionally supplied: dual cupholder plate, blank filler plates, radio faces plates, and laptop mounting plates.
- The plates are secured to the console using the supplied 10-24 nuts that are slid into the console rails, and then fastened with the supplied 10-24 x 5/8" screws.



Tip:
PMT consoles use a "floating nut" style rail for attaching face plates to the console. In the consoles that have angled rails, foam inserts are used to help position the nuts for easier alignment with the face plates mounting screws. Use an Allen (hex) key to position the foam and nut where desired, then mount the face plate.

Step 6: Final adjustments

- Go over everything to make sure that everything is fully tightened and secure.
- Adjust positioning, and go over how the built in adjustments are used to maximize comfort, safety and functionality.



PMT

For more info:
www.precisionmounts.com
info@precisionmounts.com
1-888-869-7652