



2021+ CHEVROLET TAHOE TABLET DASHMOUNT USER GUIDE

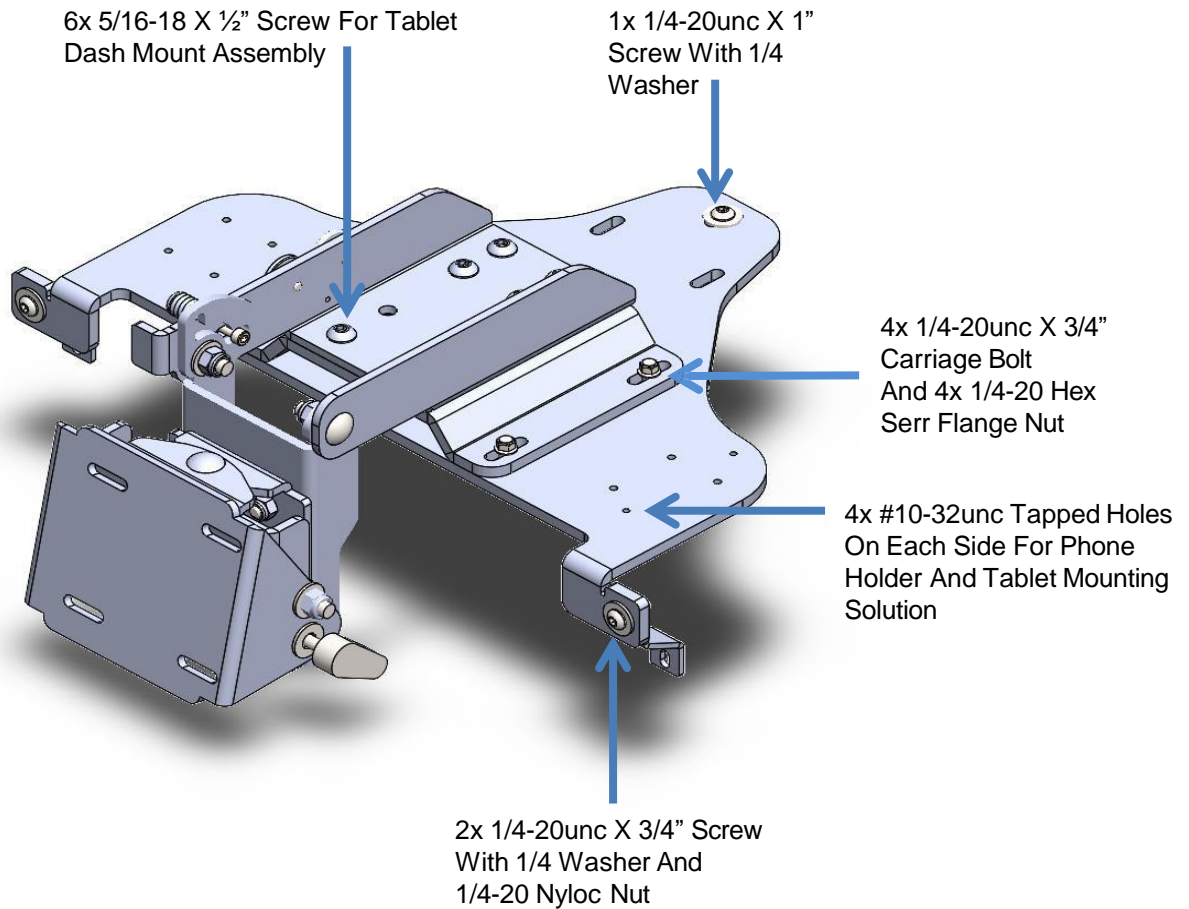
Description	Part Number
2021+ TAHOE TABLET DASHMOUNT	AS5.E700.002

Product Mounting Disclaimer

Precision Mounting Technologies Ltd (PMT) are not liable under any theory of contract or tort law for any loss, damage, personal injury, special, incidental or consequential damages for personal injury or other damage of any nature arising directly or indirectly as a result of the improper installation or use of its products in vehicle or any other application. In order to safely install and use PMT products full consideration of vehicle occupants, vehicle systems (i.e., the location of fuel lines, brake lines, electrical, drive train or other systems), air-bags and other safety equipment is required. PMT specifically disclaims any responsibility for the improper use or installation of its products not consistent with original vehicle manufactures' specifications and recommendations, PMT product instruction sheets, or workmanship standards as endorsed through PMT policies and EULA.



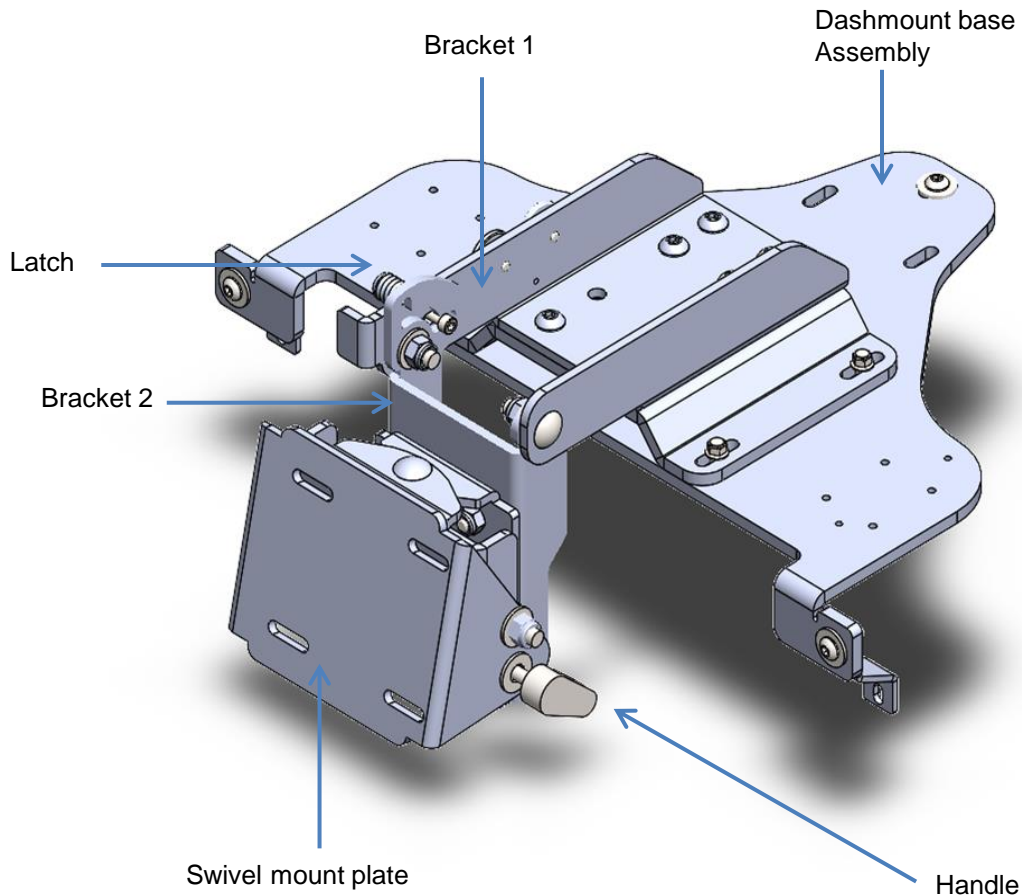
DESCRIPTION OF PARTS



Torque setting values for the hardware listed above:

- #10-32: 24-32 in-lbs
- #1/4-20: 45-60 in-lbs
- #5/16-18: 8-11 ft-lbs

DESCRIPTION OF PARTS



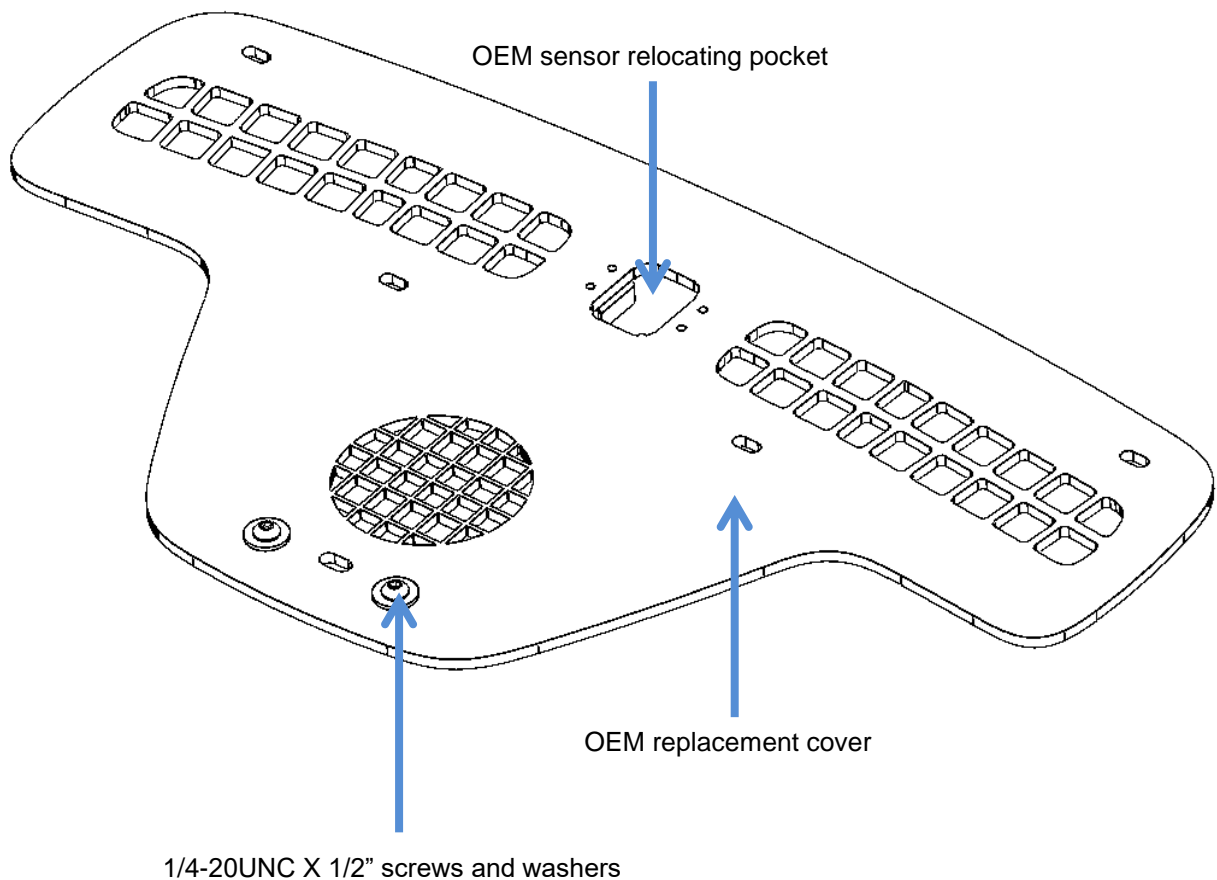
- **Dash mount assembly**: This assembly attaches to vehicle dash over the trim panel of vehicle dash.
- **Latch**: Pulling this will assist to raise and lower the tablet, to access the vehicle dash controls.
- **Bracket 1**: Attached to the dash mount plate, supports to hold bracket 2.
- **Bracket 2**: Holds the swivel assembly, which directly attaches to the tablet dock mounting plate.
- **Handle**: to be used for adjusting/ to tilt screen as desired by the user.
- **Swivel mount plate**: this has a Vesa pattern slots, and a tablet dock can be mounted.

DESCRIPTION OF PARTS

(OPTIONAL)

2021+ Tahoe dash mount OEM replacement cover(AS4.C235.400-1) is used to replace the OEM trim panel on top of the dash in 2021+ Tahoe vehicle that are equipped with OEM center speaker on top of the dash. (Purchase separately)

Used for installation steps 5.1, 6.1 and 6.2



INSTALLATION INSTRUCTIONS

Tools required:

- Ø 3/8" Diameter drill
- 5/32" Hex Allen wrench
- 7/16" Wrench

Step 1

Gently pry and remove the OEM trims beside the center screen



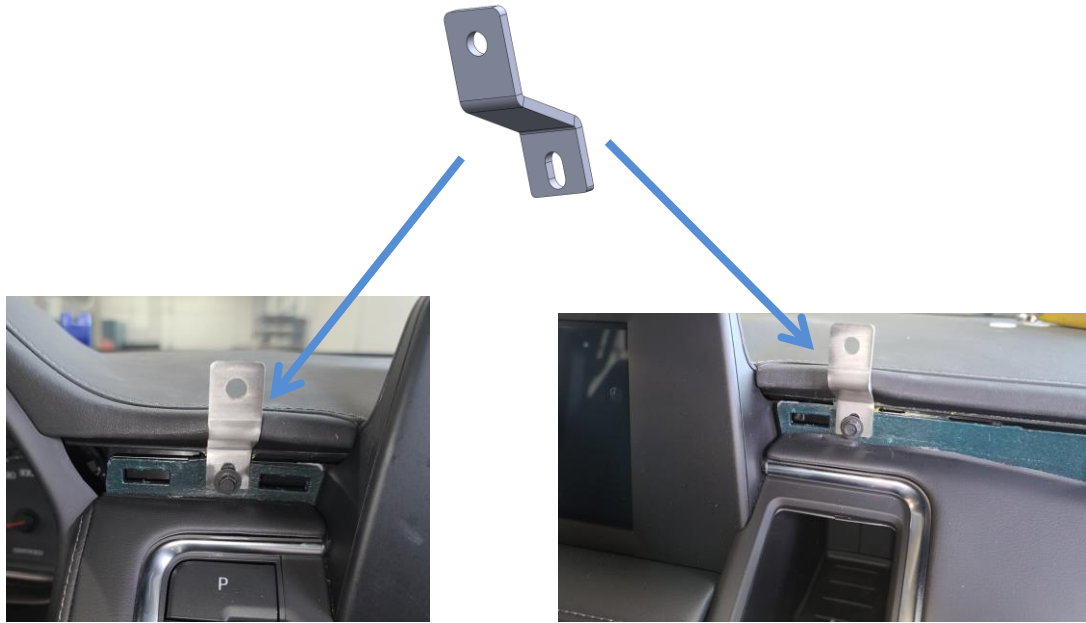
Step 2

Remove the OEM Hex head bolts on both sides

INSTALLATION INSTRUCTIONS

Step 3

Attach the steel front supports with the OEM hex bolt



Step 4

Re-install the OEM trim



INSTALLATION INSTRUCTIONS

Step 5

Gently pry and remove the top OEM cover

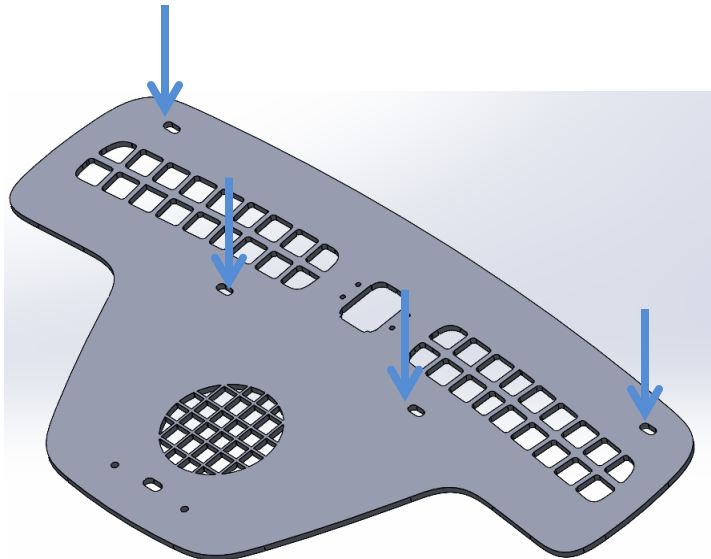


Note

For Vehicle With OEM Center Speaker On Top Of The Dash, **Skip Steps 5,6,7,8** and See Step 5.1

Step 5.1

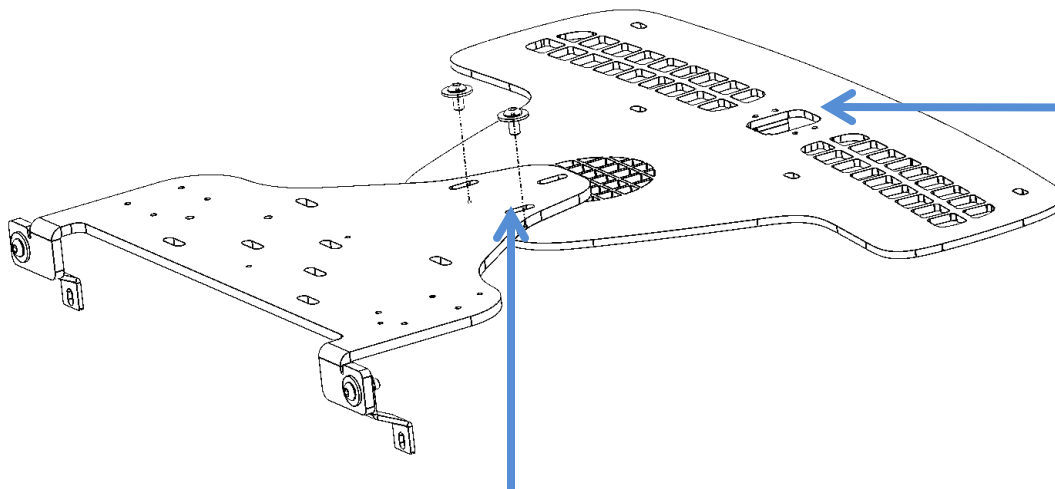
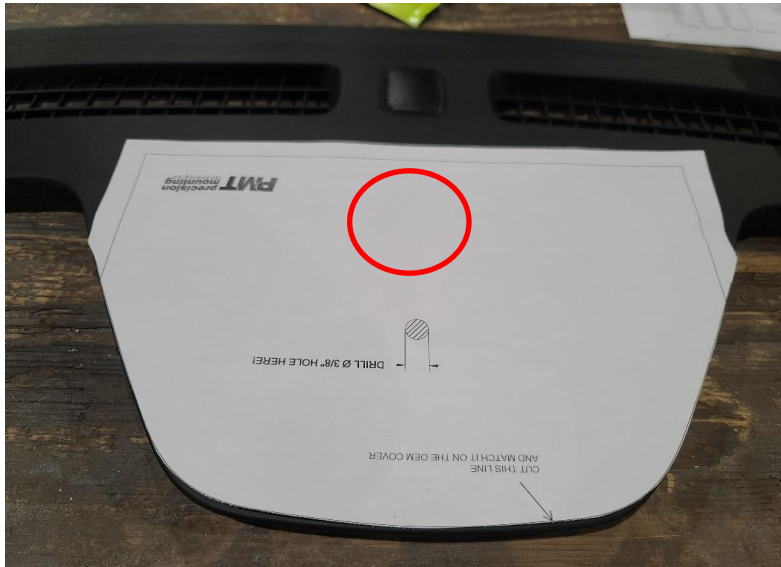
Remove four OEM screws and place the cover on top. Re-attach the screws accordingly



INSTALLATION INSTRUCTIONS

Step 6 (SEE LAST PAGE TO PRINT THE DRILLING TEMPLATE)

Match the drilling template paper on top of the cover and the drill \varnothing 3/8" hole



Step 6.1
Relocate the OEM sensor into the relocating pocket

Step 6.2

Place the dash mount base on top and use 2x 1/4-20UNC X 1/2" screws and washers from the hardware bag and tighten both the cover and dash mount base. Then go to step 9.1

INSTALLATION INSTRUCTIONS

Step 7

Remove the center hex bolt under the OEM cover and attach the “Dash mount rear support” underneath the plastic plate.



Step 8

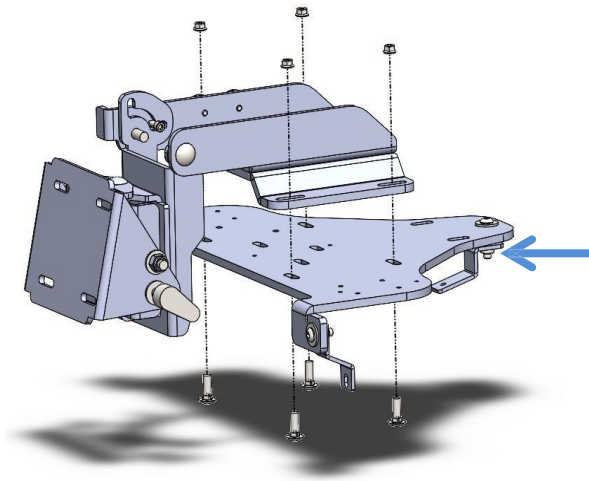
Re-install the center hex bolt that was removed on step 7 and make sure it is secured and tight.



INSTALLATION INSTRUCTIONS

Step 9

Attach the Tablet mount subassembly to dash mount base assembly with 4x 1/4-20UNC X 3/4" and 4x 1/4-20 hex serr flange nut as shown below :



Step 9.1

Use the one 1/4-20UNC x 1" screw in the back – to fix the entire assembly on vehicle dash as shown.

Step 9.2

Use two 1/4-20UNC x 3/4" screw and 1/4-20 nyloc nut in the front. Make sure the base assembly is tight and secure

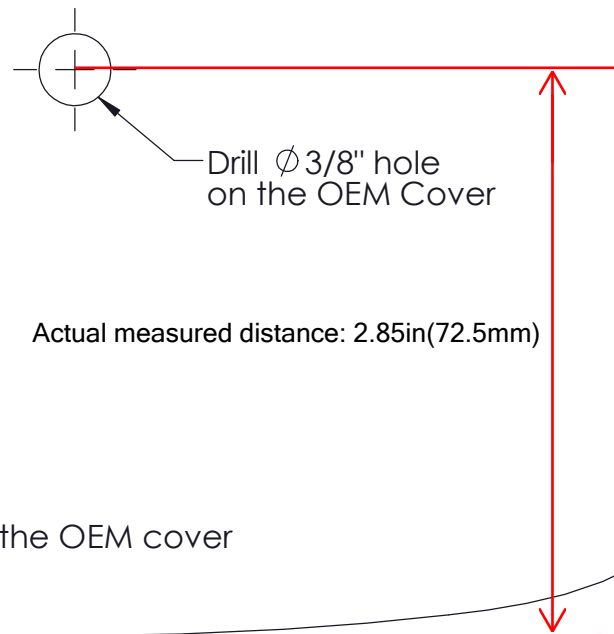


INSTALLATION INSTRUCTIONS

Step 10

The final assembly on the dash is completed and a tablet Dock , similar in weight with G1 or CF33 can be mounted using the VESA 75 pattern on the swivel plate as shown.





NOTE:
Use "Landscape mode" and "shrink oversized pages" on 11"x8.5" letter size paper