



## ADAPTER FOR MOUSETRAP AND MONGOOSE TO HAVIS POLE

### USER GUIDE

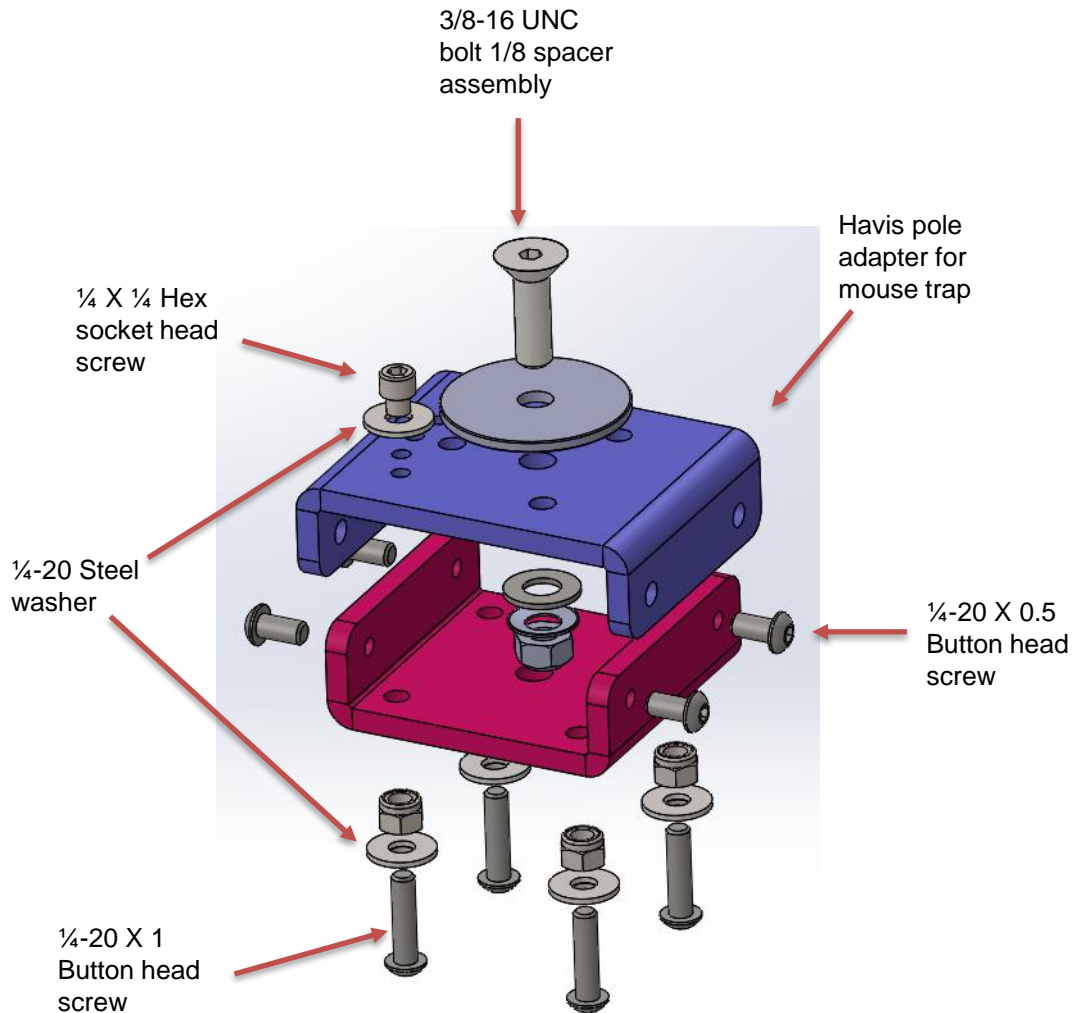
Description	Part Number
ADAPTER FOR MOUSETRAP AND MONGOOSE TO HAVIS POLE	AS5.N101.011

#### Product Mounting Disclaimer

Precision Mounting Technologies Ltd (PMT) are not liable under any theory of contract or tort law for any loss, damage, personal injury, special, incidental or consequential damages for personal injury or other damage of any nature arising directly or indirectly as a result of the improper installation or use of its products in vehicle or any other application. In order to safely install and use PMT products full consideration of vehicle occupants, vehicle systems (i.e., the location of fuel lines, brake lines, electrical, drive train or other systems), air-bags and other safety equipment is required. PMT specifically disclaims any responsibility for the improper use or installation of its products not consistent with original vehicle manufactures' specifications and recommendations, PMT product instruction sheets, or workmanship standards as endorsed through PMT policies and EULA.



# DESCRIPTION OF PARTS



# INSTALLATION INSTRUCTIONS

## Tools and hardware required:

- Allen Wrench 7/32" suitable for # 3/8-16 screw
- Allen Wrench 5/32" suitable for #1/4-20 screw

## Step 1

Gather all the hardware provided, including the Allen hex key/wrench for 3/8-1-1/4" flat head screw, 1/4-20x1/4" socket head screw, and 3/8 hex nut.

## Mousetrap:

Insert the 3/8-1-1/4" flat head screw into the mouse trap counter sunk hole as shown in fig 1 and adapter top plate center hole, secure both using the 3/8 hex nut and lock washer. Use a 9/16 Allen wrench to tighten the nut to a torque of 20-23 ft-lbs.

Ensure to assemble the 1/4-20x1/4" socket head screw in the mouse trap slot and rrallel to mouse trap slot as shown in fig 2

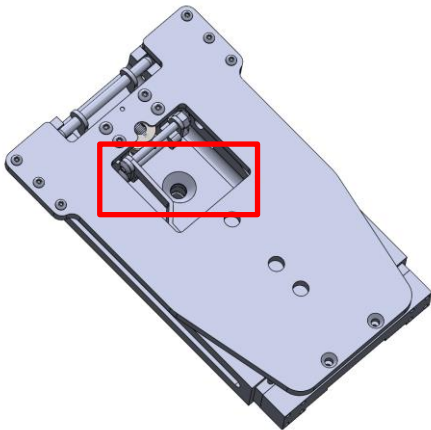


Fig 1

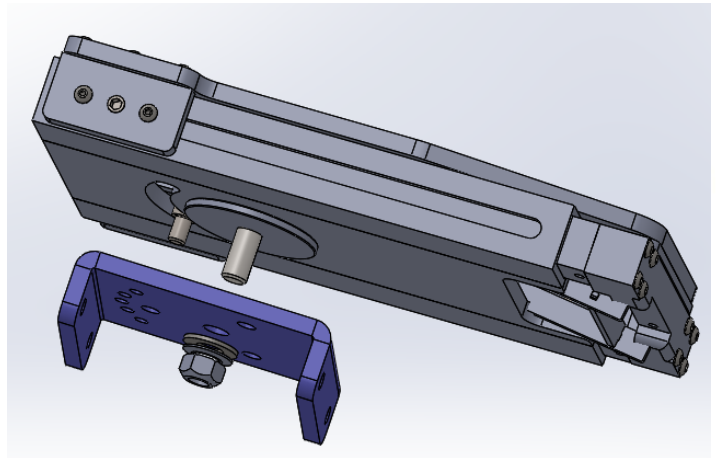


Fig 2

# INSTALLATION INSTRUCTIONS

## Step 1

### Mongoose:

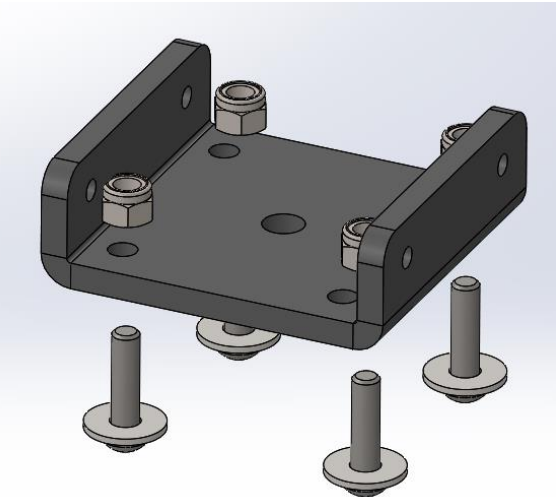
Put the adapter top plate on the back of the Mongoose where the three mounting screws are located. Tighten the nuts to a torque of 70-75 in-lbs



# INSTALLATION INSTRUCTIONS

## Step 2

Put the adapter bottom plate with the Havis pole top plate, by utilizing the 4 slots on Havis pole and hardware ¼-20x 1 using either an Allen key or torque gun. Tighten the screws to a torque of 66-75 in-lbs



# INSTALLATION INSTRUCTIONS

## Step 3

To put together the adapter top plate and mouse trap assembly with the Havis pole top plate and the adapter bottom plate, utilize the 4 ¼-20 X 0.5” screws provided and attach the top and bottom plate together.

**Note:** do the same steps for the Mongoose.

