



2025+ AND 2020-2024 FORD POLICE INTERCEPTOR UTILITY PRINTER CONSOLE INSTALLATION GUIDE

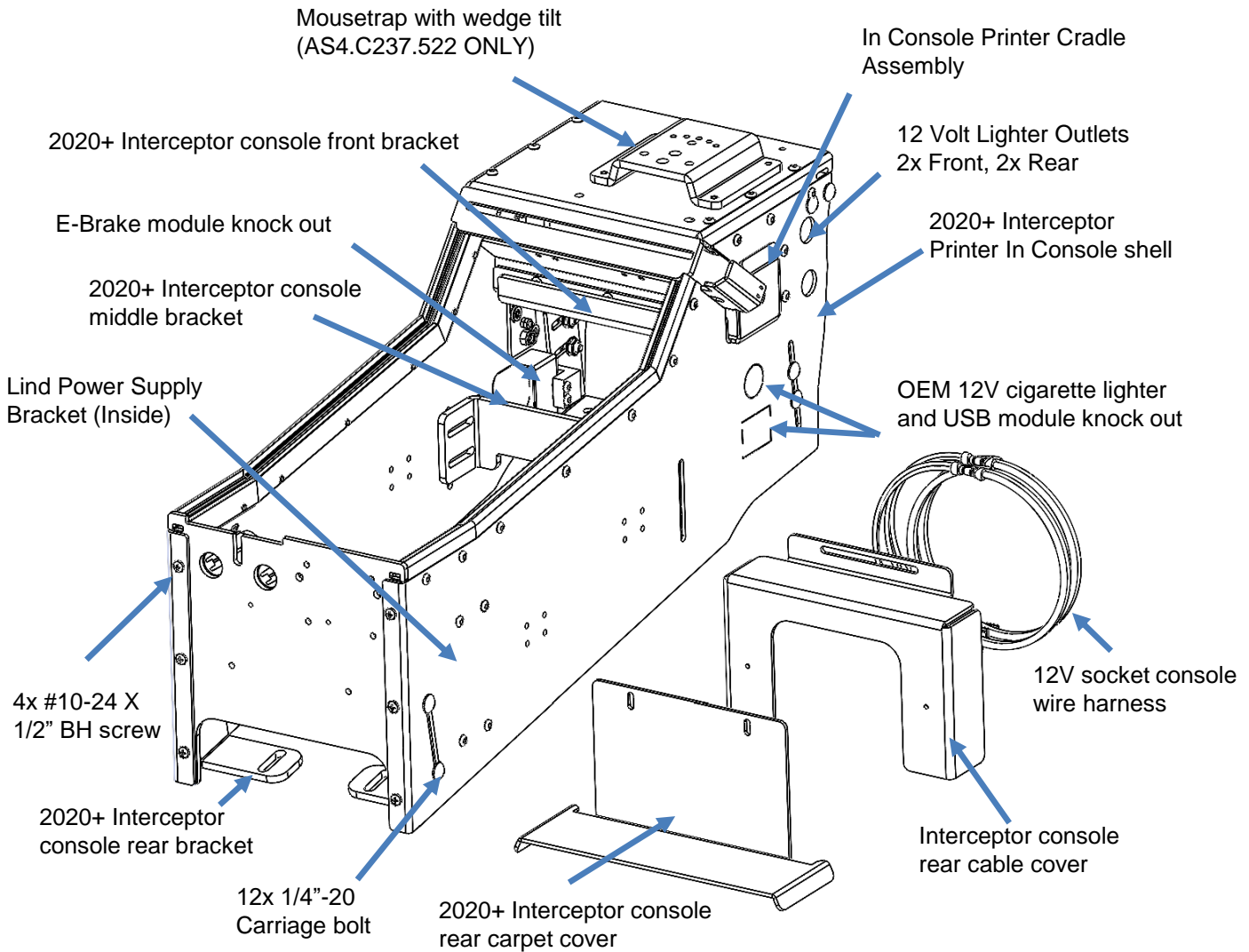
Description	Part Number
2025+ AND 2020-2024 FORD POLICE INTERCEPTOR UTILITY PRINTER CONSOLE	AS4.C237.521
2025+ AND 2020-2024 FORD POLICE INTERCEPTOR UTILITY PRINTER CONSOLE WITH MOUSETRAP	AS4.C237.522
2025+ AND 2020-2024 FORD POLICE INTERCEPTOR UTILITY PRINTER CONSOLE BOX	AS4.C237.525

Product Mounting Disclaimer

Precision Mounting Technologies Ltd (PMT) are not liable under any theory of contract or tort law for any loss, damage, personal injury, special, incidental or consequential damages for personal injury or other damage of any nature arising directly or indirectly as a result of the improper installation or use of its products in vehicle or any other application. In order to safely install and use PMT products full consideration of vehicle occupants, vehicle systems (i.e., the location of fuel lines, brake lines, electrical, drive train or other systems), air-bags and other safety equipment is required. PMT specifically disclaims any responsibility for the improper use or installation of its products not consistent with original vehicle manufactures' specifications and recommendations, PMT product instruction sheets, or workmanship standards as endorsed through PMT policies and EULA.



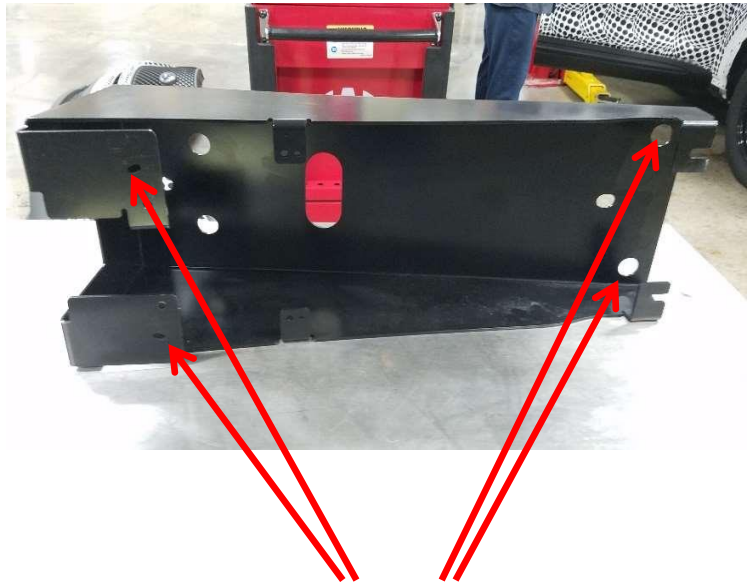
DESCRIPTION OF PARTS



INSTALLATION INSTRUCTIONS

Step 1

Remove Steel hump plate



Remove four OEM screws (by using 10mm socket) that secure the console mounting plate to the body

INSTALLATION INSTRUCTIONS

Step 2

Remove the side plastic trim screws, then gently pulling it away and releasing the clips to remove the trim

One bolt on each side
(removing by 7mm socket)



Once the side trim is removed, the center section that houses the E-Brake module, USB port module and 12v outlets can also be removed. This is done by removing the screws of the E-braking module and gently pulling out releasing the clips.

USB Port Module (Using T20
screwdriver to remove 3 screws)

E-Brake Module
12V Outlets



INSTALLATION INSTRUCTIONS

Step 3

Install new (supplied) Console Mounting Brackets

Now that the steel plate is removed it will be helpful to trim back some of the plastic floor covering material.

Reinstall the OEM trim, and let three cables come thru the E-brake cut out on the trim



Console area picture after trimming

INSTALLATION INSTRUCTIONS

Step 3.1

DO NOT tighten completely until later in the installation.



Install the front two brackets and secure them using the bolts that were used with the original steel hump plate.



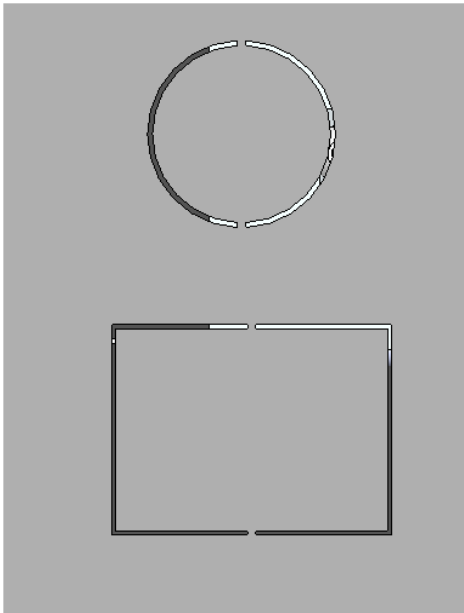
Remove two bolts in the middle first. (By using 10mm socket) and then install the middle bracket



Install the rear bracket

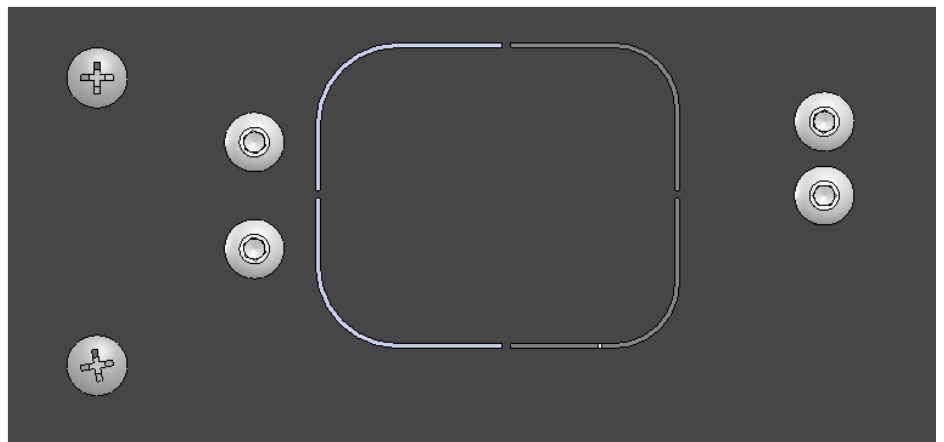
INSTALLATION INSTRUCTIONS

Step 4



12v cigarettes lighter and USB
module knock out

Option 2:
E-Brake module knock out



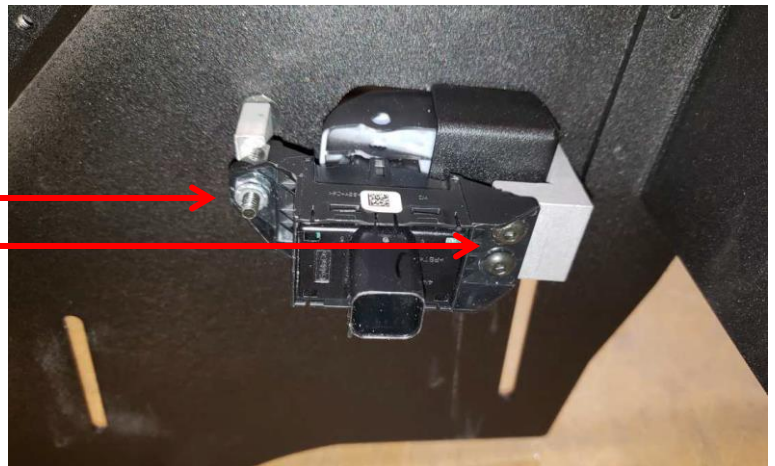
INSTALLATION INSTRUCTIONS

Step 4.1

A. USB port module and 12v socket can be squeezed into the “knock-out” window.



B. Put the E-Brake module on, using supplied #10-24x0.5” screws to tight top two screws and using #10-24x1.5” and #10 nyloc nut to secure the bottom screw.

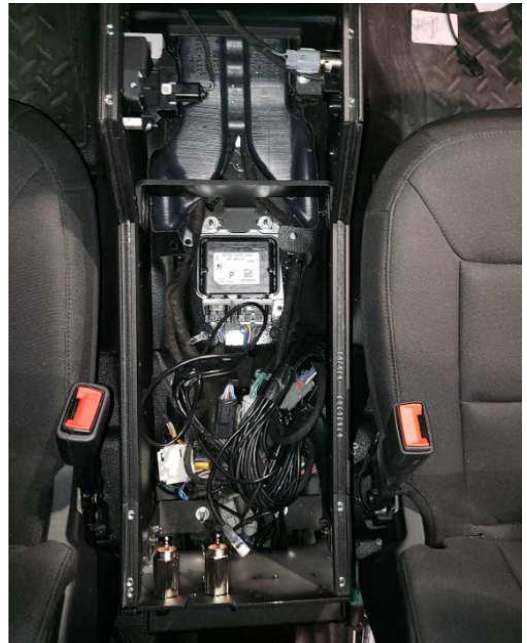


INSTALLATION INSTRUCTIONS

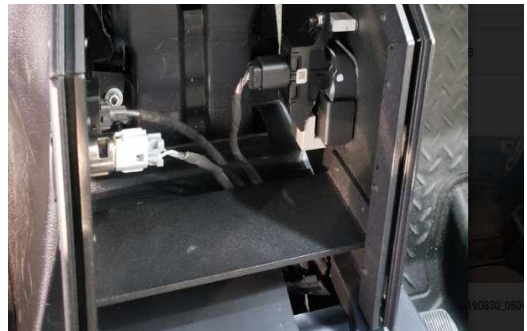
Step 5

Install Console and side bolts

A. Put the console on



B. Connect back all three cables
(E-Brake, USB, and 12V Socket)



C. Push the console completely in, and make it
aligned with the dash



INSTALLATION INSTRUCTIONS

Step 6

Install the side carriage bolts (supplied) that secure the console to the mounting brackets by sliding them down and holding with one hand, then use a plain washer, split lock washer, then the nut. Do not tighten until all bolts (12 in total) are installed and the position of the console is as desired.



12x 1/4"-20 Side carriage bolt

Make sure all the mounting screws are tight and secured.



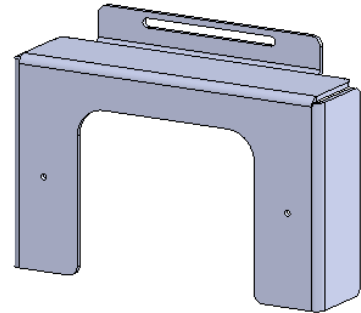
The console should line up with the dash as shown

INSTALLATION INSTRUCTIONS

Step 7: Option 1



If the vehicle is equipped with the factory rear wire chase, please use the wire cover come with the console. (shows below)

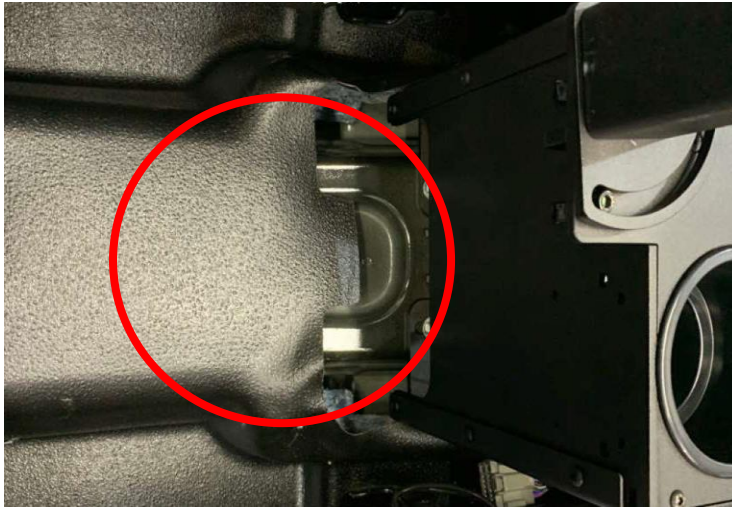


Install the supplied rear cable cover, and using four #10-24x1/2" screws to tight it with the tunnel.

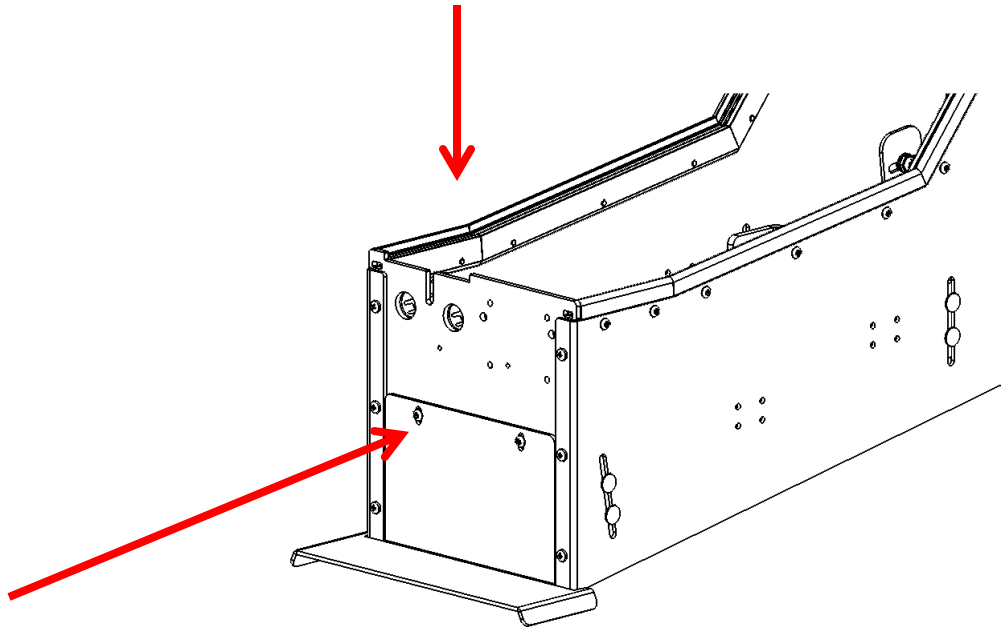
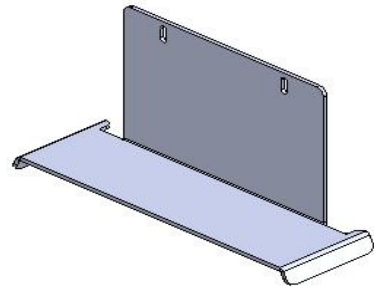


INSTALLATION INSTRUCTIONS

Step 7.1: Option 2



If the vehicle is **not** equipped with the factory rear wire chase, Please use the wire cover come with the console. (shows below)



Install the supplied rear cable cover, and using four #10-24x1/2" screws to tight it with the tunnel.

INSTALLATION INSTRUCTIONS

Step 8

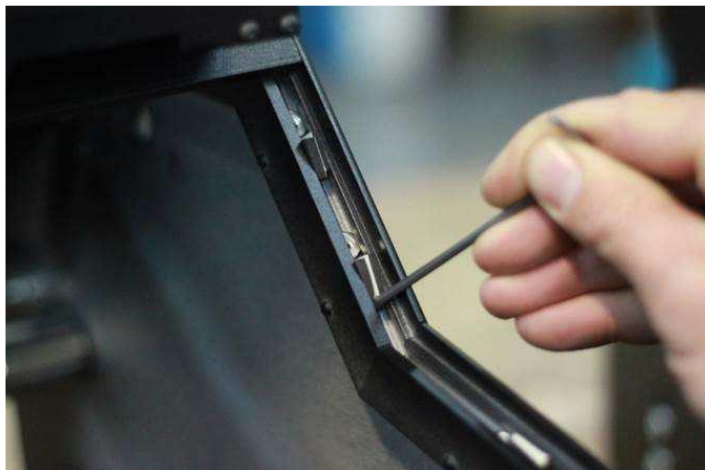
Install the optionally supplied: armrest/cup-holder plate, blank filler plates, radio faces plates, and laptop mounting plates.

The plates are secured to the console using the supplied 10-24 nuts that are slid into the console rails, and then fastened with the supplied 10-24 x 5/8" screws.

OEM 12v
sockets
re-installed



Tip: PMT consoles use a “floating nut” style rail for attaching face plates to the console. In the consoles that have angled rails, foam inserts are used to help position the nuts for easier alignment with the face plates mounting screws. Use an Allen key to position the foam and nut where desired, then mount the face plate.



INSTALLATION INSTRUCTIONS

Step 9

Go over everything to make sure that everything is fully tightened and secure.

Adjust positioning and go over how the built-in adjustments are used to maximize comfort, safety and functionality.



Interceptor utility printer in console with break-away armrest and Mousetrap Motion Mount

INSTALLATION INSTRUCTIONS

Printer Cradle User Guide

Use the two M2.5x10mm flat head screws (included in the hardware bag) to install the Brother Pocket Jet 7 & 8 series printer to the cradle



Note:

- The Cradle only support Brother Pocket 7 & 8 series printer
- Loctite is recommended for any vibration situation



INSTALLATION INSTRUCTIONS

To add or change printing paper,

Slide one side of the paper roll into the nipple of the plastic ear first, and then push the top part of other side ear. Let the paper roll sit inside, both side of the nipple should be inside of the paper roll.



Pushing down the releasing latch while sliding in/out the printer cradle



Feed the paper into the printer



Make sure the printer cradle is pushed all the way in and is secured in the console

INSTALLATION INSTRUCTIONS

Lind Power Supply Mounting Options

The Lind power supply bracket can be mounted on either side of the console, see picture below.

