



2024+ CHEVROLET BLAZER EV CONSOLE USER GUIDE

Description	Part Number
2024+ CHEVROLET BLAZER EV CONSOLE	AS4.C254.101
2024+ CHEVROLET BLAZER EV CONSOLE WITH MOUSETRAP	AS4.C254.102
2024+ CHEVROLET BLAZER EV CONSOLE BOX	AS4.C254.105

GENERAL INSTRUCTIONS

Safety:

- Safety is dependent on the proper installation and servicing of this product. It is important to read and follow all instructions before installing this product.
- Proper installation requires a good understanding of automotive electrical systems and is recommended to be performed by qualified technicians only.
- There are no adjustments or user serviceable parts within this product. Opening the case will void the product warranty
- Do not install equipment or route wires in the deployment path of any air bag, or where it may interfere with critical safety or operating controls of any vehicle.

Wiring:

- PMT does not recommend relying on a cigarette socket adaptor for powering critical equipment. We recommend hard wiring using a good clean ground direct from the vehicle battery neg(-) post, and pos(+) supply from a fused location also directly from the vehicle battery.
- Visit <https://www.precisionmounts.com/product-information> for a copy of our general wiring and troubleshooting guide.

Proper Use and Care:

- Proper care and use of this product is critical to maximize safety
- Clean equipment using a mild soap and water mix only
- Never use damaged equipment
- Inspect and tighten hardware periodically as required
- Contact PMT for product and service support

SERVICING [ENTRETIEN]:

- If this product does not work as intended, please contact PMT for troubleshooting or to schedule a service. *[Si le dock ne fonctionne pas comme prévu, contactez PMT pour le dépannage ou pour planifier un service.]*
- Service should be only done by authorized service center personnel. Unauthorized servicing of the unit will void its warranty. *[L'entretien du dock ne doit être effectué que par le personnel du centre de service autorisé. Un entretien non autorisé du dock annulera sa garantie.]*

Product Mounting Disclaimer

Precision Mounting Technologies Ltd (PMT) are not liable under any theory of contract or tort law for any loss, damage, personal injury, special, incidental or consequential damages for personal injury or other damage of any nature arising directly or indirectly as a result of the improper installation or use of its products in vehicle or any other application. In order to safely install and use PMT products full consideration of vehicle occupants, vehicle systems (i.e., the location of fuel lines, brake lines, electrical, drive train or other systems), air-bags and other safety equipment is required. PMT specifically disclaims any responsibility for the improper use or installation of its products not consistent with original vehicle manufactures' specifications and recommendations, PMT product instruction sheets, or workmanship standards as endorsed through PMT policies and EULA.

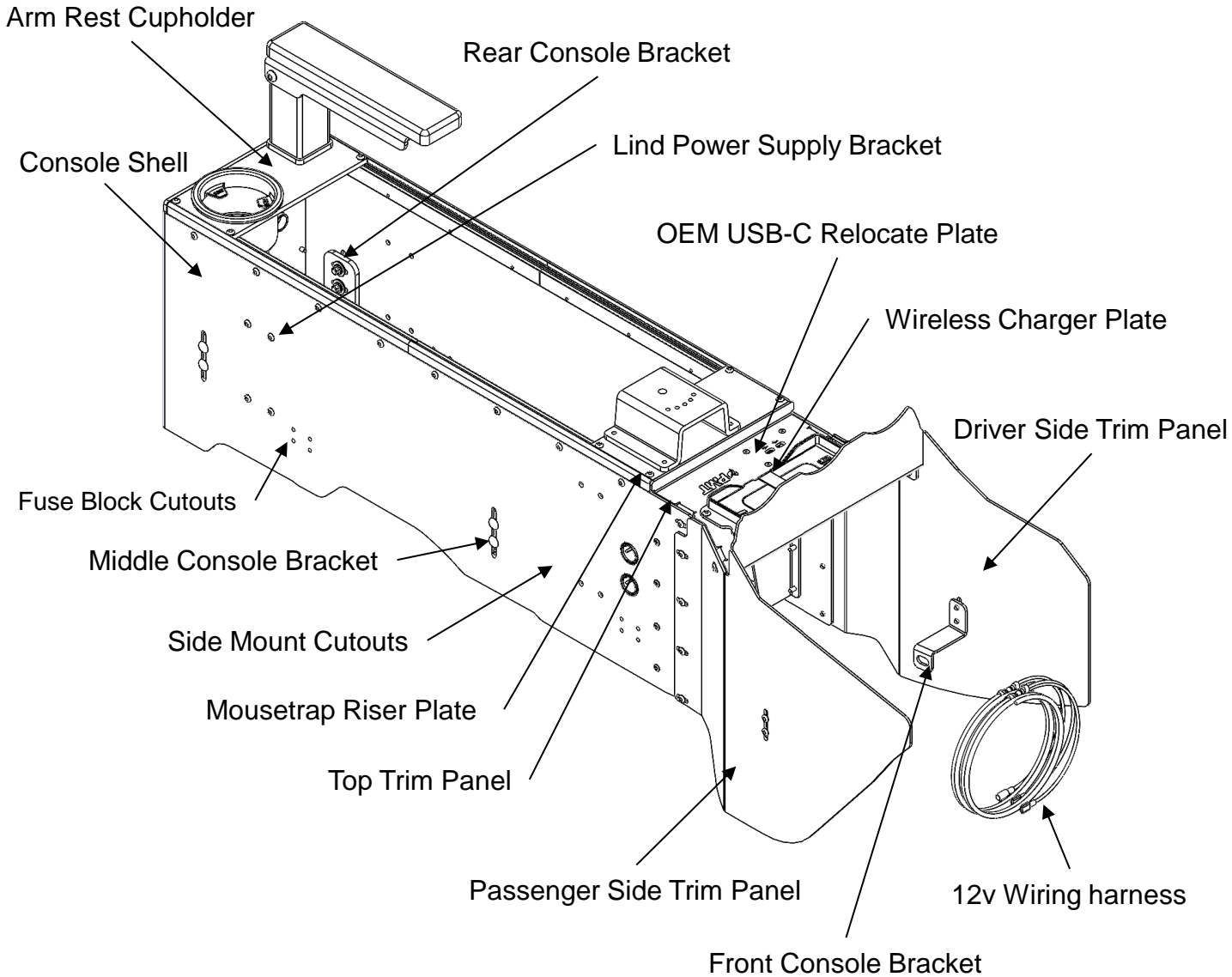


PRODUCT VISUAL

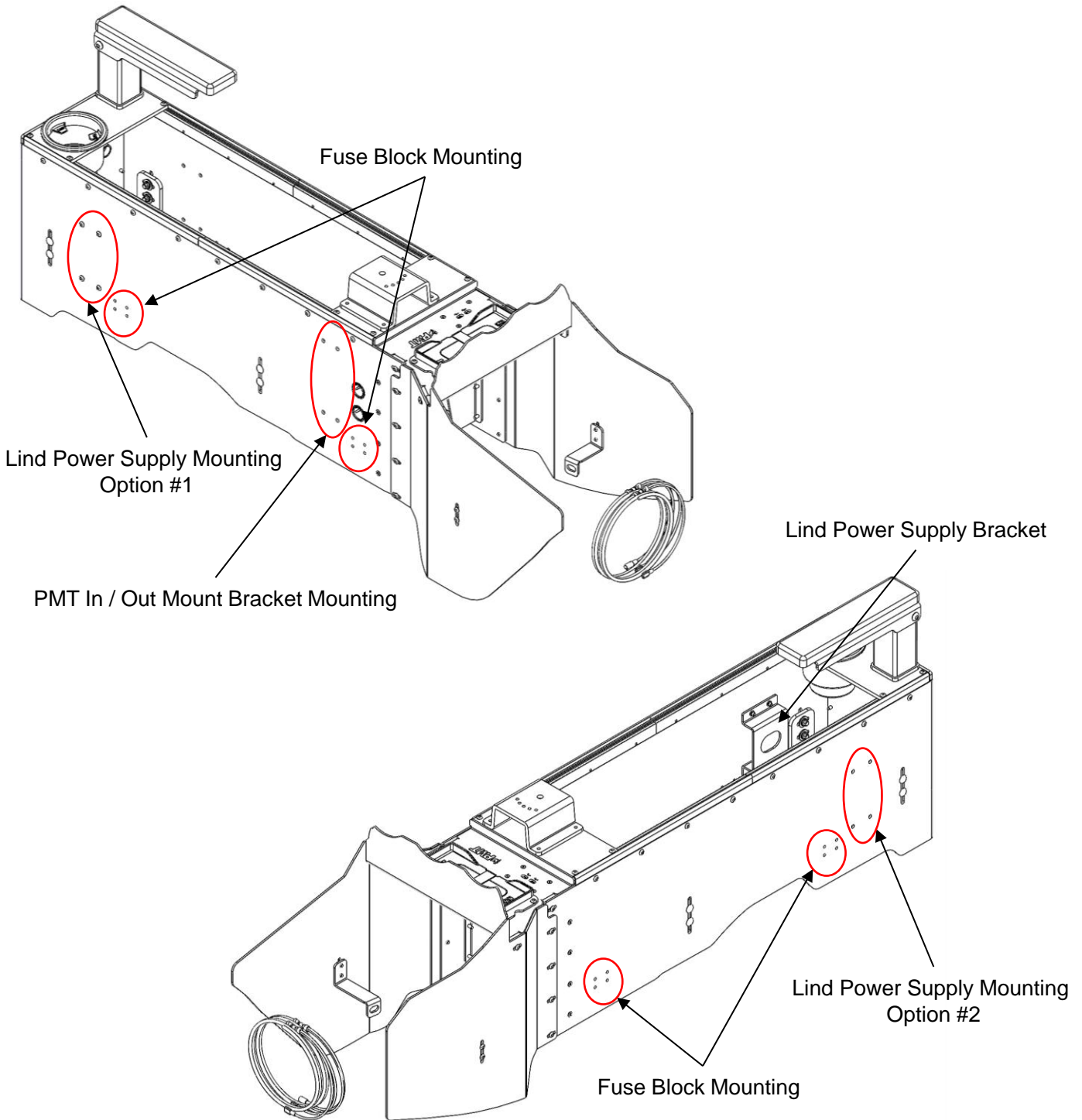


PARTS & HARDWARE DESCRIPTION

AS4.C254.101/102/105



ADDITIONAL FEATURES



INSTALLATION INSTRUCTIONS

Tools and hardware required:

- Metric and Imperial socket sets and ratchet
- T50 and T55 Torx sockets
- Allen keys
- Trim Tools (optional)

Installation parts:

Quantity	Description
1	Driver side trim panel
1	Passenger side trim panel
1	Wire harness for the 12v ports
2	Rear Console bracket
2	Middle Console Bracket
2	Front Console Bracket
1	Wireless Charger Plate
1	Top Trim Panel
1	Console Shell
1	Arm Rest Cupholder
1	Mousetrap Riser Plate
1	OEM USB-C Relocate Plate
1	Lind Power Supply Bracket

INSTALLATION INSTRUCTIONS

Step 1

Remove OEM front seats



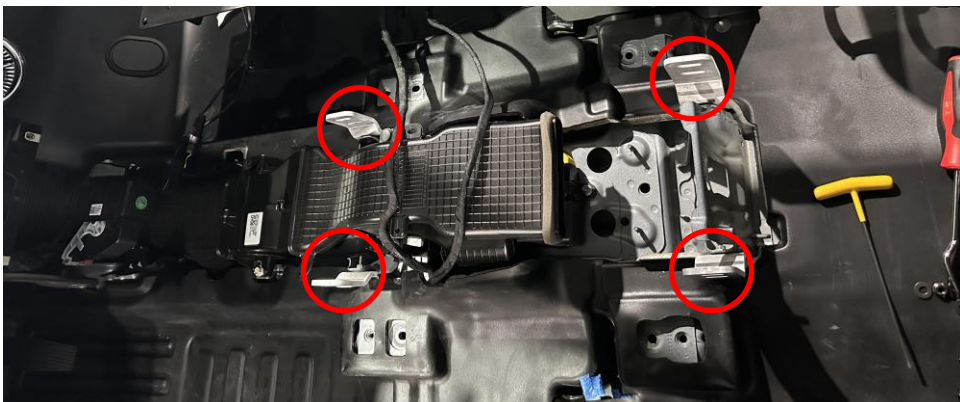
Step 2

Remove OEM center console. PPV version shown.



Step 3

Install rear and middle console buckets. Using OEM hardware.



INSTALLATION INSTRUCTIONS

Step 4

Ensure rear and middle console brackets are installed vertically.



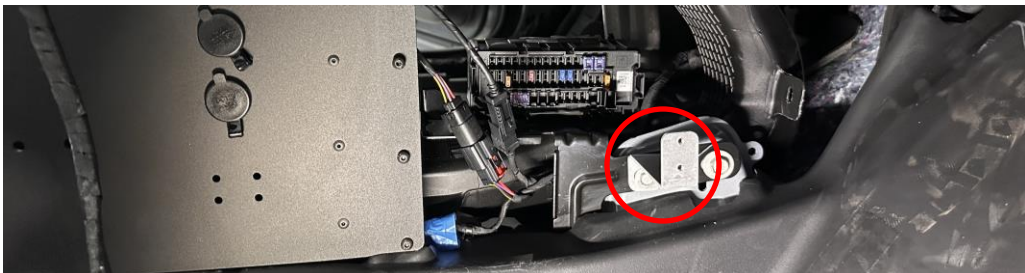
Step 5

Place console shell into position. Ensuring that the slots lineup with the rear and middle console brackets.



Step 6

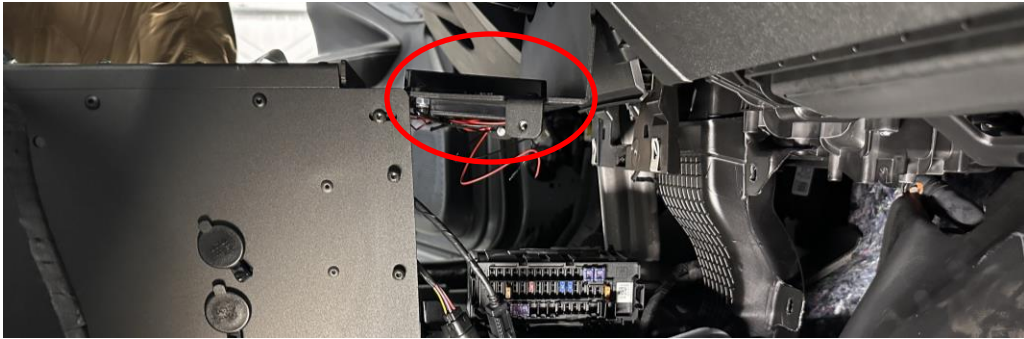
Install front console brackets, on both sides, using OEM hardware. Take note that the left and right are different.



INSTALLATION INSTRUCTIONS

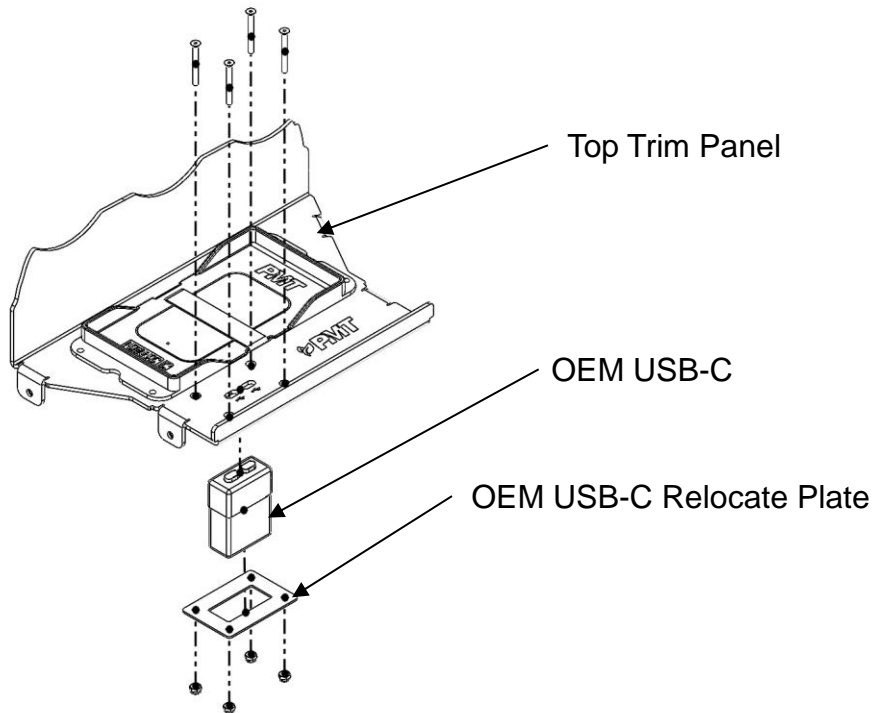
Step 7

Install top trim panel to console shell loosely.



Step 8

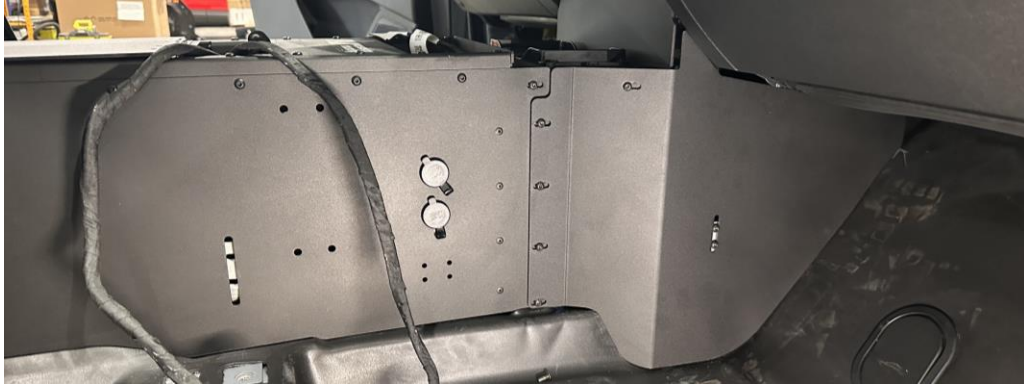
Install OEM USB-C to top trim panel.



INSTALLATION INSTRUCTIONS

Step 9

Install passenger side trim panel.



Step 10

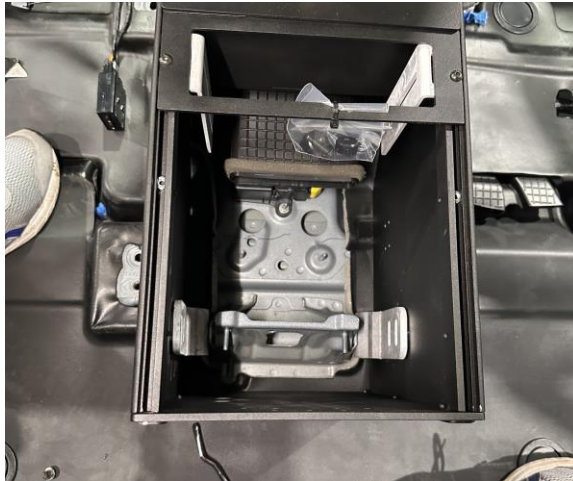
Install driver side trim panel.



INSTALLATION INSTRUCTIONS

Step 11

Attach console to rear, middle and front console brackets.



Step 12

Align console shell and trim panels and then tighten all hardware.



Step 13

Install any faceplates and accessories to complete the installation of the PMT console.

The PMT Face Plate Installation Guide can be found at

<https://www.precisionmounts.com/product-information>