



2015+ FORD TRANSIT CONSOLE USER GUIDE

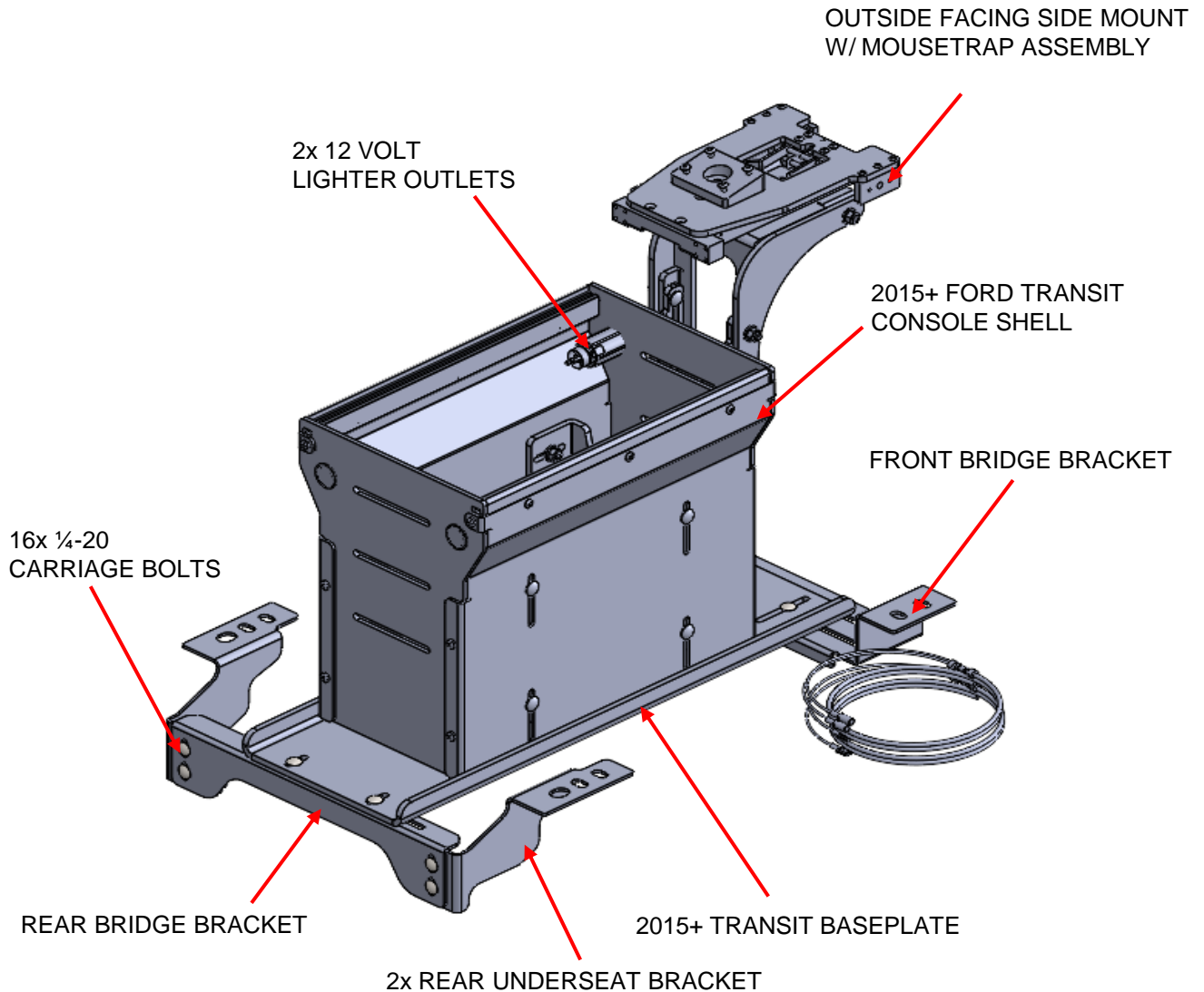
Description	Part Number
2015+ FORD TRANSIT CONSOLE WITH BASEPLATE	AS4.C242.003
2015+ FORD TRANSIT CONSOLE W/ BASEPLATE AND FRONT MOUSETRAP	AS4.C242.004
2015+ FORD TRANSIT CONSOLE BOX	AS4.C242.005

Product Mounting Disclaimer

Precision Mounting Technologies Ltd (PMT) are not liable under any theory of contract or tort law for any loss, damage, personal injury, special, incidental or consequential damages for personal injury or other damage of any nature arising directly or indirectly as a result of the improper installation or use of its products in vehicle or any other application. In order to safely install and use PMT products full consideration of vehicle occupants, vehicle systems (i.e., the location of fuel lines, brake lines, electrical, drive train or other systems), air-bags and other safety equipment is required. PMT specifically disclaims any responsibility for the improper use or installation of its products not consistent with original vehicle manufactures' specifications and recommendations, PMT product instruction sheets, or workmanship standards as endorsed through PMT policies and EULA.



DESCRIPTION OF PARTS



INSTALLATION INSTRUCTIONS

Tools and hardware required:

- 10mm socket and wrench
- 12mm socket and wrench

Step 1

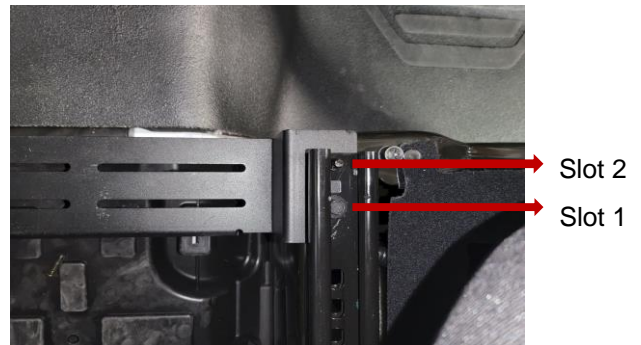
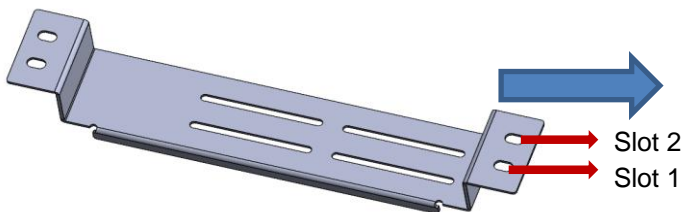
Slide the seat all the way to the back and remove the front in-bound OEM seat bolts of both passenger and driver seat by using 10mm socket.

Loosen the front out-bound seat bolts of both passenger and driver seat by using 10mm socket.



Step 2

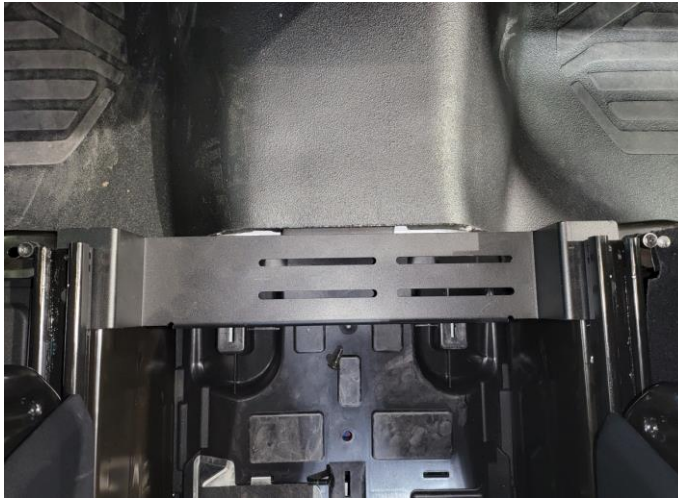
Lift the driver seat upward and slide the front leg between the seat and seat pedestal such that the slot in the leg line-up with the seat bolt hole in the pedestal. See pictures below



INSTALLATION INSTRUCTIONS

Step 3

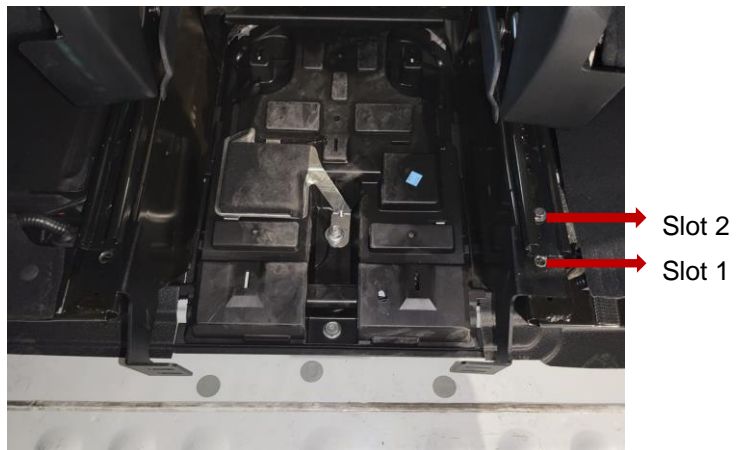
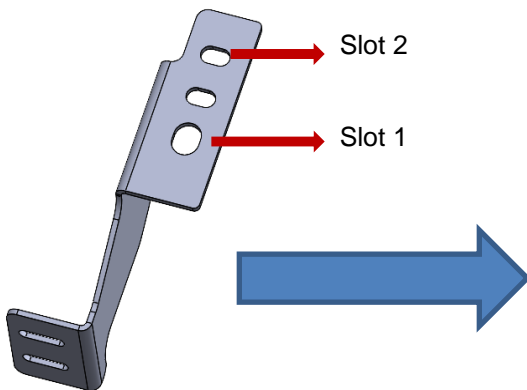
Repeat step 2 for the passenger side seat



Step 4

Slide the seat all the way to the front and place the Rear Leg such that the slots in the leg line-up with the seat bolt hole in the pedestal. See pictures below.

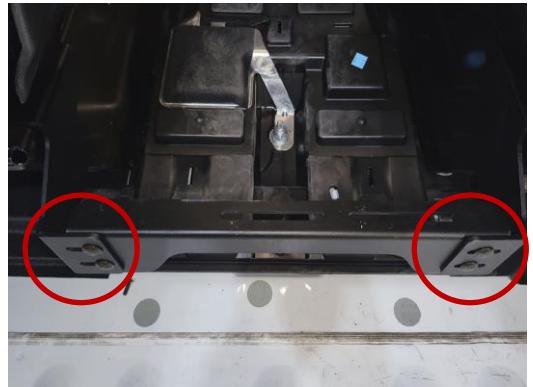
Repeat above step for passenger side seat.



INSTALLATION INSTRUCTIONS

Step 5

Attach the rear bridge bracket and tighten four ¼-20 carriage bolts.



Step 6

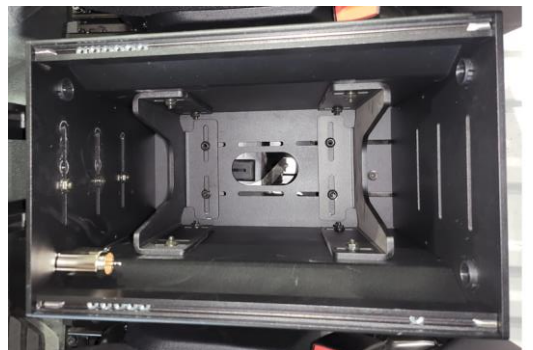
Attach the baseplate, and tighten four ¼-20 carriage bolts

Tighten both front in-bound and out-bound OEM seat bolts for driver and passenger seats.



Step 7

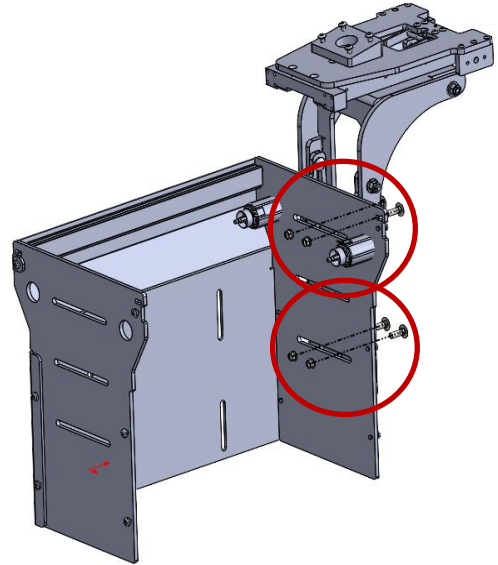
Place console shell on top of the baseplate. The two cross brackets inside the console should line up with the baseplate slots. Insert and tighten remaining ¼ carriage bolts and nuts so there is a minimum of 2x ¼-20 carriage bolts per cross bracket for a total of 4 bolts attaching the console to the Base Brackets.



INSTALLATION INSTRUCTIONS

Step 8 : (AS4.C242.004 ONLY)

Place the outside facing side mount with mouse trap assembly to the front of the console, shown as picture on the right. Attach and tighten minimum 4x ¼-20 carriage bolts to secure the side mount assembly.



Step 9

Install the optionally supplied: dual cupholder plate, blank filler plates, radio faces plates, and laptop mounting plates.

The plates are secured to the console using the supplied 10-24 nuts that are slid into the console rails, and then fastened with the supplied 10-24 x 5/8" screws.

Tip

PMT consoles use a "floating nut" style rail for attaching face plates to the console. In the consoles that have angled rails, foam inserts are used to help position the nuts for easier alignment with the face plates mounting screws. Use an Allen (hex) key to position the foam and nut where desired, then mount the face plate.



INSTALLATION INSTRUCTIONS

Step 10

Go over everything to make sure that everything is fully tightened and secure.

Adjust positioning and go over how the built-in adjustments are used to maximize comfort, safety and functionality.

