



# 2021+ F150 & 2017+ F250/350/450/550 RADIO DASHMOUNT FOR XTL5000 USER GUIDE

Description	Part Number
2021+ FORD F150 RESPONDER AND 2023+ F250 RADIO DASHMOUNT PLATE	40.C235.049-1
2021+ F150/F250 RADIO DASHMOUNT BRACKET	40.C235.049
MOTOROLA XTL5000 DASHMOUNT FACEPLATE	AS4.C235.201

#### Product Mounting Disclaimer

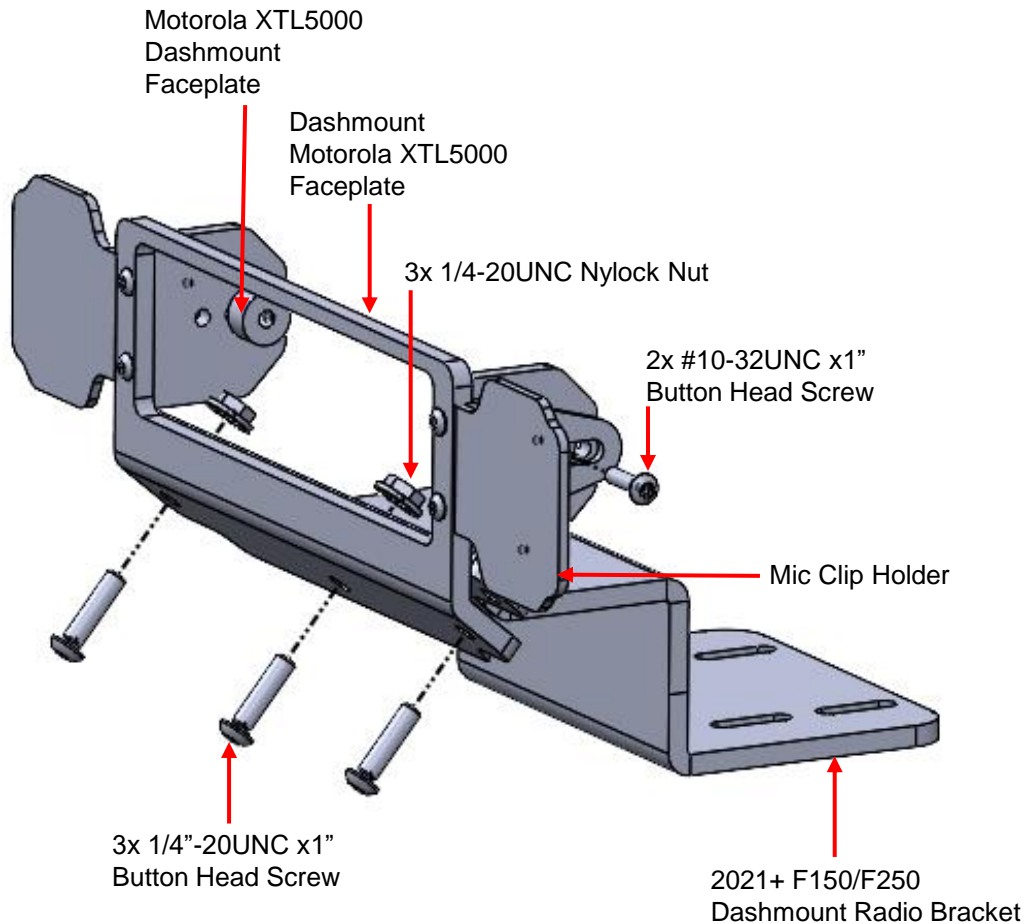
Precision Mounting Technologies Ltd (PMT) are not liable under any theory of contract or tort law for any loss, damage, personal injury, special, incidental or consequential damages for personal injury or other damage of any nature arising directly or indirectly as a result of the improper installation or use of its products in vehicle or any other application. In order to safely install and use PMT products full consideration of vehicle occupants, vehicle systems (i.e., the location of fuel lines, brake lines, electrical, drive train or other systems), air-bags and other safety equipment is required. PMT specifically disclaims any responsibility for the improper use or installation of its products not consistent with original vehicle manufactures' specifications and recommendations, PMT product instruction sheets, or workmanship standards as endorsed through PMT policies and EULA.



# COMPATIBLE FACEPLATE OPTIONS

Description	Part Number
MOTOROLA XTL2500 DASHMOUNT FACEPLATE	AS4.C235.200
MOTOROLA XTL5000 DASHMOUNT FACEPLATE	AS4.C235.201
GE ORION DASHMOUNT FACEPLATE	AS4.C235.202
ASTRO DASHMOUNT FACEPLATE	AS4.C235.203
HARRIS M7300 DASHMOUNT FACEPLATE	AS4.C235.204
HARRIS M7100 DASHMOUNT FACEPLATE	AS4.C235.205
JOHNSON 5300 EF DASHMOUNT FACEPLATE	AS4.C235.206
CDMI250 DASHMOUNT FACEPLATE	AS4.C235.207
MACOM 7100 DASHMOUNT FACEPLATE	AS4.C235.208
PM400/CM300 DASHMOUNT FACEPLATE	AS4.C235.209
XPR4550 DASHMOUNT FACEPLATE	AS4.C235.210
KENWOOD NX-700 DASHMOUNT FACEPLATE	AS4.C235.211

# DESCRIPTION OF PARTS



- **Dashmount Radio Bracket:** This plate attaches to vehicle dash over the trim panel of vehicle dash.
- **Dashmount Motorola XTL5000 Faceplate:** The plate attaches to the dashmount radio bracket and accommodates the XTL5000 radio.
- **Mic Clip Holder(90.C128.166):**The MIC clip helps in attaching and holding the microphone. It can be purchased separately.

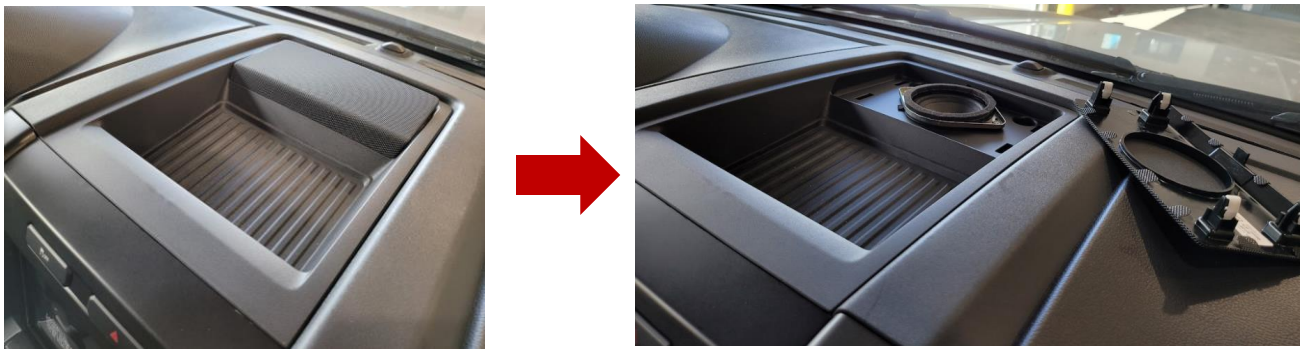
# INSTALLATION INSTRUCTIONS

## Tools and hardware required:

- Socket set suitable for #1/4-20 Hex Allen wrench
- 1/4-20 Hex socket head wrench
- 7mm wrench
- $\Phi$ 1/4" Drill
- 1/4" bolts and nuts

## Step 1

Gently pry and remove the OEM speaker trim on top of the dash.



## Step 2

Remove two OEM screws by using the 7mm wrench beside the speaker



# INSTALLATION INSTRUCTIONS

## Step 3

Gently pry and remove the top plate and unplug the OEM cable underneath.



# INSTALLATION INSTRUCTIONS

## Step 4

Put the dashmount radio bracket on top, and mark the four holes



## Step 5

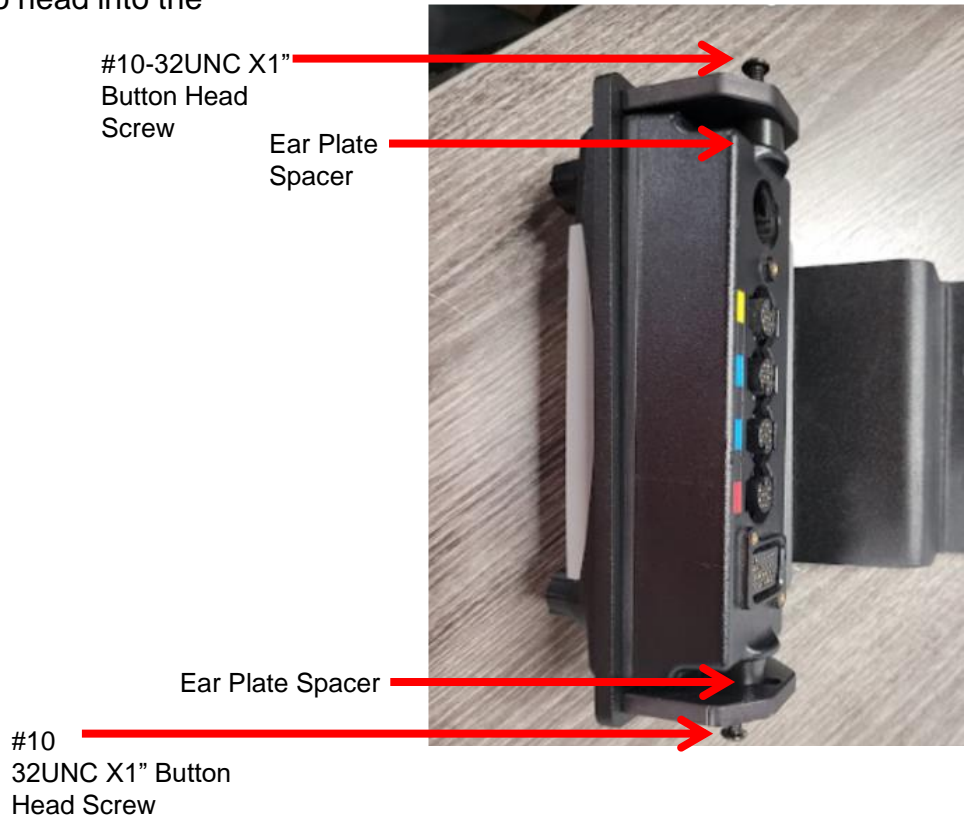
Drill the marked holes by using  $\Phi 1/4$ " drill



# INSTALLATION INSTRUCTIONS

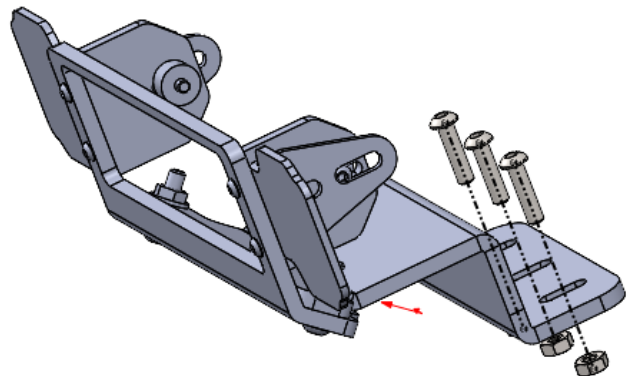
## Step 6

Assemble the radio head into the faceplate.



## Step 7

Place the plate assembly on top of the tray and use the 1/4" bolts and nuts tighten it.(0.75" or longer bolts and Loctite are recommended)



# INSTALLATION INSTRUCTIONS

## Step 8

Put the whole assembly back to the vehicle and make sure everything is tight and secure.

