



PANASONIC TOUGHBOOK® 20 VEHICLE DOCK

FEATURES

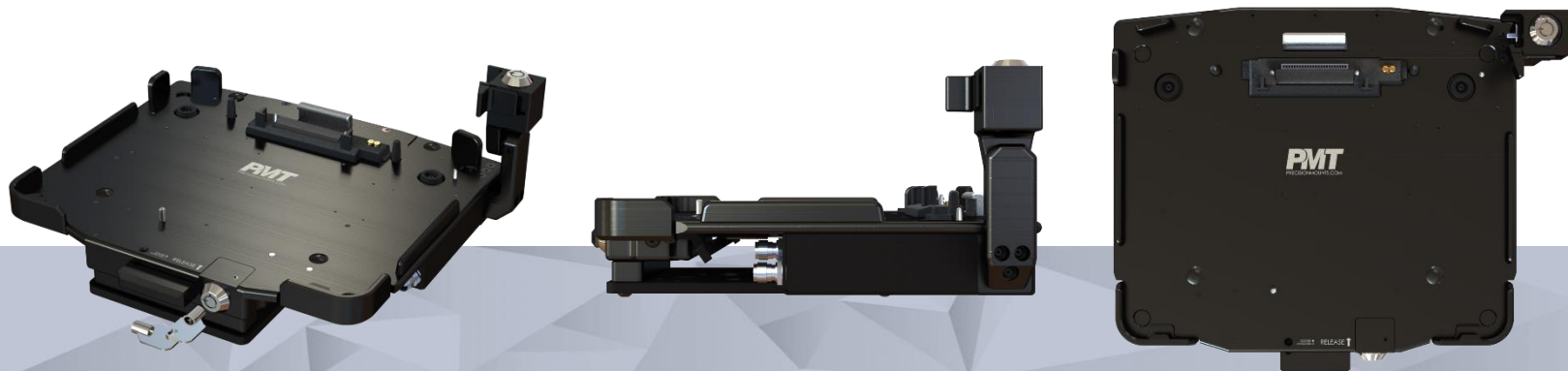
- CNC aluminum construction
- Genuine Panasonic PCB for maximum reliability
- Ergonomic design for safety and usability
- Auto-retracting connector cover to reduce risk of connector pin damage
- Multiple mounting patterns including VESA 75
- Low profile footprint for increased usable cabin space
- Key lockable for added theft deterrence
- Front facing ports with integrated cable management
- Panasonic Toughbook® certified
- Optional screen lock available (AS7.P020.001)
- Lite version removes video output connectors
- 3 year limited warranty



PORT REPLICATIONS

1 x RJ45	1 x RS-232 (Serial)
2 x USB 3.0	15.6 VDC Input
1 x HDMI*	2 x RF Pass-Through (TNC)*
1 x VGA*	*Optional

WEIGHT	HEIGHT	WIDTH	DEPTH
6.25 – 8.20 lbs	2.50"	11.40"	10.80"





PANASONIC TOUGHBOOK® 20 VEHICLE DOCK PART NUMBER LISTING

ITEM NUMBERS – FULL PORT WITHOUT SCREEN LOCK MODULE

- AS7.P020.100 - TOUGHBOOK 20 NPT DOCK
- AS7.P020.100-PS - TOUGHBOOK 20 NPT DOCK WITH POWER SUPPLY
- AS7.P020.102 - TOUGHBOOK 20 DPT DOCK
- AS7.P020.102-PS - TOUGHBOOK 20 DPT DOCK WITH POWER SUPPLY
- AS7.P020.104 - TOUGHBOOK 20 CRADLE
- AS7.P020.104-PS - TOUGHBOOK 20 CRADLE WITH POWER SUPPLY

ITEM NUMBERS – FULL PORT WITH SCREEN LOCK MODULE

- AS7.P020.200 - TOUGHBOOK 20 NPT DOCK
- AS7.P020.200-PS - TOUGHBOOK 20 NPT DOCK WITH POWER SUPPLY
- AS7.P020.202 - TOUGHBOOK 20 DPT DOCK
- AS7.P020.202-PS - TOUGHBOOK 20 DPT DOCK WITH POWER SUPPLY
- AS7.P020.204 - TOUGHBOOK 20 CRADLE
- AS7.P020.204-PS - TOUGHBOOK 20 CRADLE WITH POWER SUPPLY

ITEM NUMBERS – LITE PORT WITHOUT SCREEN LOCK MODULE

- AS7.P020.600 - TOUGHBOOK 20 LITE NPT DOCK
- AS7.P020.600-PS - TOUGHBOOK 20 LITE NPT DOCK WITH POWER SUPPLY
- AS7.P020.602 - TOUGHBOOK 20 LITE DPT DOCK
- AS7.P020.602-PS - TOUGHBOOK 20 LITE DPT DOCK WITH POWER SUPPLY

ITEM NUMBERS – LITE PORT WITH SCREEN LOCK MODULE

- AS7.P020.610 - TOUGHBOOK 20 LITE NPT DOCK
- AS7.P020.610-PS - TOUGHBOOK 20 LITE NPT DOCK WITH POWER SUPPLY
- AS7.P020.612 - TOUGHBOOK 20 LITE DPT DOCK
- AS7.P020.612-PS - TOUGHBOOK 20 LITE DPT DOCK WITH POWER SUPPLY