



DOCKING STATION FOR PANASONIC TOUGHBOOK 20 LAPTOP COMPUTERS

USER GUIDE

Description	Part Number
Docking Station For Panasonic Toughbook 20 NPT	AS7.P020.100
Docking Station For Panasonic Toughbook 20 DPT	AS7.P020.102
Cradle For Panasonic Toughbook 20	AS7.P020.104
Docking Station With Screen Lock For Panasonic Toughbook 20 NPT	AS7.P020.200
Docking Station With Screen Lock For Panasonic Toughbook 20 DPT	AS7.P020.202
Cradle With Screen Lock For Panasonic Toughbook 20	AS7.P020.204
Docking Station For Panasonic Toughbook 20 NPT Lite	AS7.P020.600
Docking Station For Panasonic Toughbook 20 DPT Lite	AS7.P020.602
Docking Station With Screen Lock For Panasonic Toughbook 20 NPT Lite	AS7.P020.610
Docking Station With Screen Lock For Panasonic Toughbook 20 DPT Lite	AS7.P020.612
Toughbook 20 Screen Lock Arm	AS7.P020.001



GENERAL INSTRUCTIONS

POWER:

- The power input should be **15.6Vdc / 7.05 A**. The dock is meant to operate on 14.5 Vdc to 16 Vdc. Use a recommended power supply for the dock. **Panasonic recommends using a Lind Auto Adapter (Lind part no: PA 1580-1745) for this dock.**

WIRING:

- PMT does not recommend relying on a cigarette socket adaptor for powering vehicle docks. We recommend hard wiring using a good clean ground direct from the vehicle battery (-) post, and (+) supply from a fused 12v location also directly from the vehicle battery. All Peripherals connecting to the docking station should get power and ground from the same location as the dock.
- Visit www.precisionmounts.com/support/installation-user-guides.html for a copy of our general wiring and troubleshooting guide.

SERVICING [ENTRETIEN]:

- If the dock does not work as intended, please contact PMT for troubleshooting or to schedule a service. *[Si le dock ne fonctionne pas comme prévu, contactez PMT pour le dépannage ou pour planifier un service.]*
- Servicing of the dock should be only done by authorized service center personnel. Unauthorized servicing of the dock will void its warranty. *[L'entretien du dock ne doit être effectué que par le personnel du centre de service autorisé. Un entretien non autorisé du dock annulera sa garantie.]*

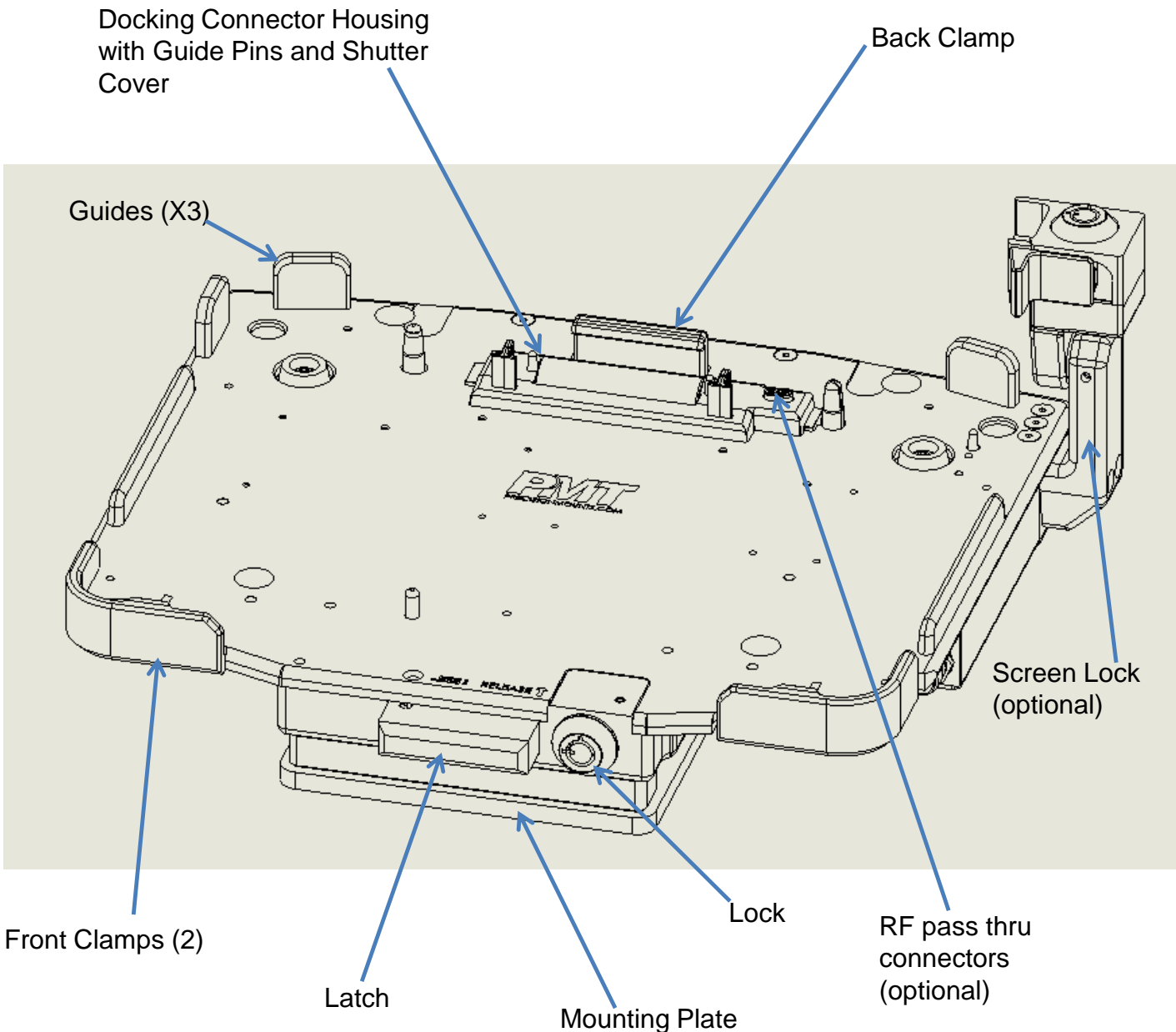
EXTERNAL ANTENNA:

- For DPT (Dual Pass Thru) models, there is an option to turn off the external antenna. This switch is located next to power port of the dock. Toggle the switch gently – excess force might break the switch. Turning off the external antenna will let the computer use in-built antenna. By default, the dock comes with the switch in ON position.

DESCRIPTION OF PARTS AND LAYOUT

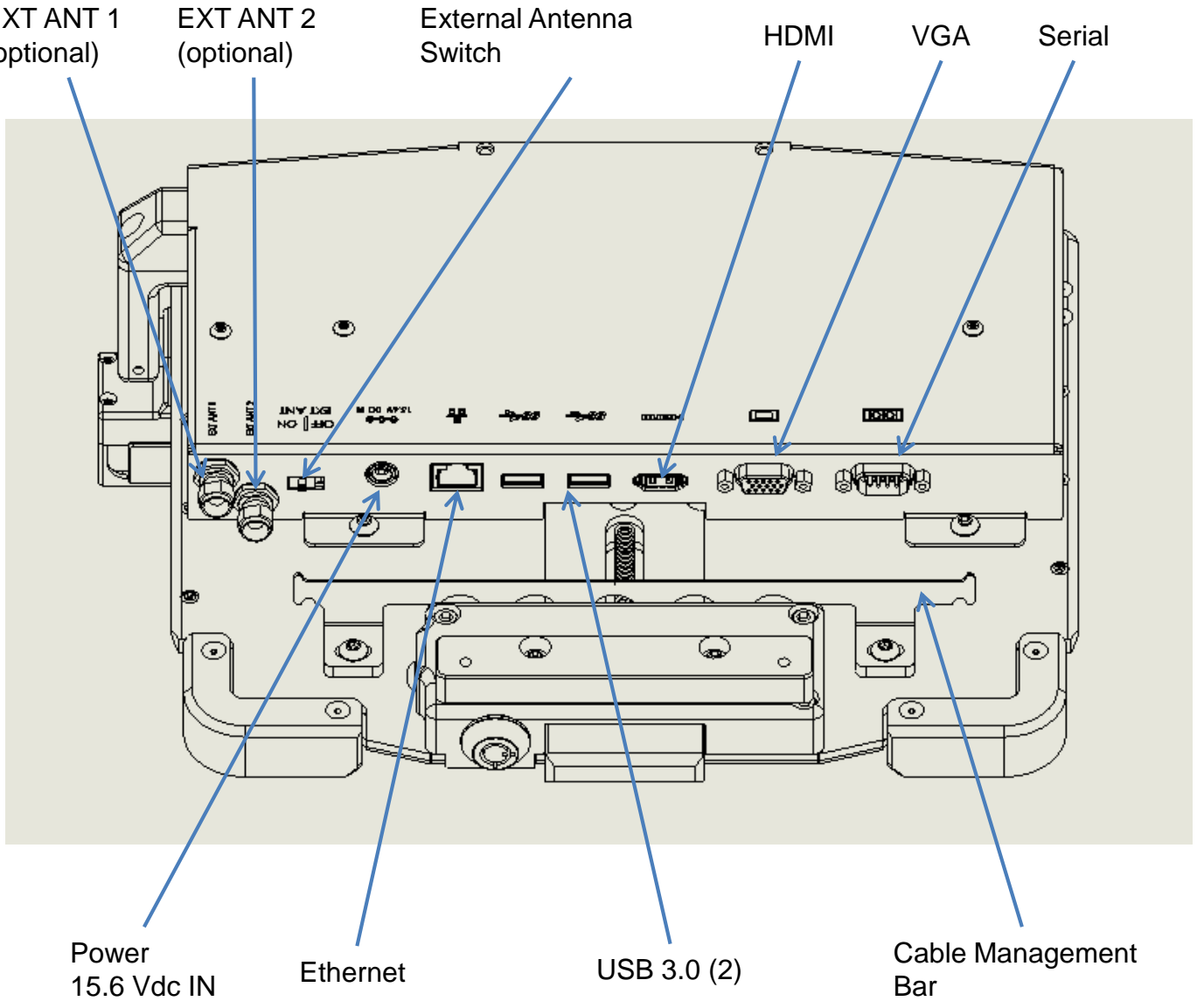
Note: All pictures used in this guide are of Dual Pass Thru (DPT) with Screen Support vehicle dock (Part no: AS7.P020.202). However processes and information relate to other variants of the same dock mentioned in previous page.

FRONT VIEW



DESCRIPTION OF PARTS CONTINUED

REAR VIEW (WITHOUT MOUNTING PLATE)



DOCKING THE LAPTOP

Step 1:

Ensure that the dock is unlocked. If locked, insert key and rotate lock 90 degrees counter-clockwise.

Step 2:

Lead the front of the keyboard into the dock such that the pockets on keyboard line up with the front hooks. The side tabs should help aligning the laptop as well.

Step 3:

Push gently in the back center of the keyboard so that back hook latches. A small click sound should be heard when the back hook latches.

*The laptop can be docked into the dock with lid open or close. If the lid is open, make sure that no keys are pressed while docking.

Step 4:

[Additional security] Rotate key 90 degrees clockwise and remove the key to lock the laptop in the docking station. The tablet is only fully secure once the key is removed.



DOCKING THE LAPTOP (CONT.)

Step 5:

To ensure that the laptop is docked correctly and completely, check the docked/undocked sign in the front of the dock (above the latch). The is docked correctly if the hole turns “silver” completely. The laptop is undocked or not docked if the hole remains “black” or partially “silver”.



UNDOCKING THE LAPTOP

Step 1:

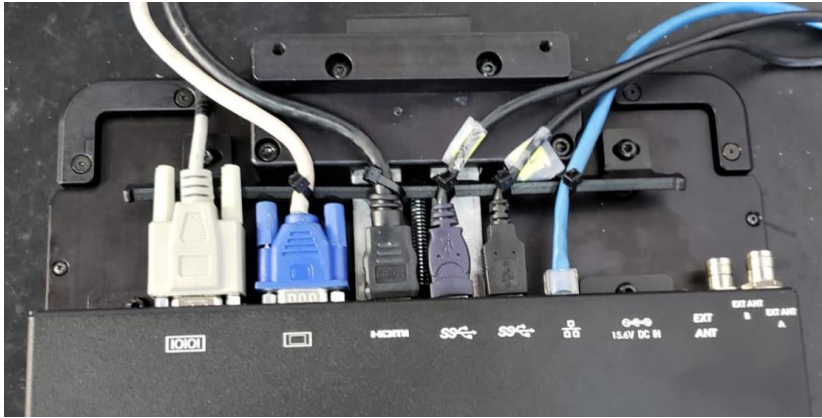
Ensure that the dock is unlocked. If locked, insert key and rotate lock 90 degrees counter-clockwise.

Step 2:

Use your thumb to push the latch in the front. This will push the back clamp out and the laptop will eject with a small click sound. Once the laptop ejects, gently pull the laptop out of the dock



CABLE MANAGEMENT & MOUNTING



Connect all cables securely to dock ports, and use tie straps to secure cables to the “Cable Management Bar” as shown.

The cable tie bar has slots, so if needed, the location can be adjusted slightly.

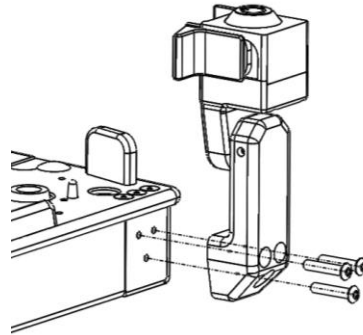
Once you have attached all cables to the vehicle dock, attach the mounting bracket to the dock using the 4 supplied #10-24 UNC screws.

The standard mounting bracket that comes with the vehicle dock features an industry standard VESA 75mm x 75mm bolt pattern. This allows easy mounting to many pre-existing mounts as well as dedicated mounts from PMT. Use the supplied #1/4-20 hardware for mounting. Attach the mounting bracket in the orientation shown aside.



SCREEN LOCK/SUPPORT INSTRUCTIONS

The Screen Lock provides theft deterrence of the tablet from the laptop while it is in the dock. The Screen Lock module is included in certain dock sku's and is also available as a separate add-on module (PMT part# AS7.P020.001).



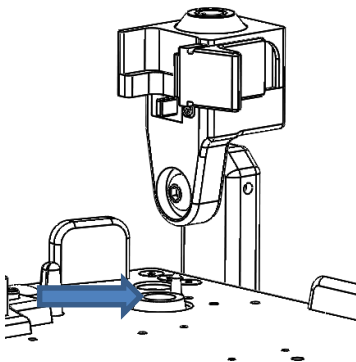
Once the Screen Lock module is attached to the dock:

While docking, make sure that the plastic tab is moved all the right so that it is not obstructing while docking the laptop into the dock.

Once the laptop is docked securely, Rotate key 90 degrees clockwise and remove the key to lock the Screen Lock. This would secure the tablet to the keyboard and the dock.

Once the Screen Lock is locked, push the plastic tab to the left. This would minimise the screen rattle during extreme vibration.

Before you undock the laptop, make sure the screen lock is unlocked.



NOTE: The Screen Lock arm might get loose after repetitive use (10,000 cycles). If the arm gets loose, tighten the 1/4-20 screw, as shown to the left, to desired torque using an allen key

The screen lock/support is a patented design. US Patent Number: 10,067,533