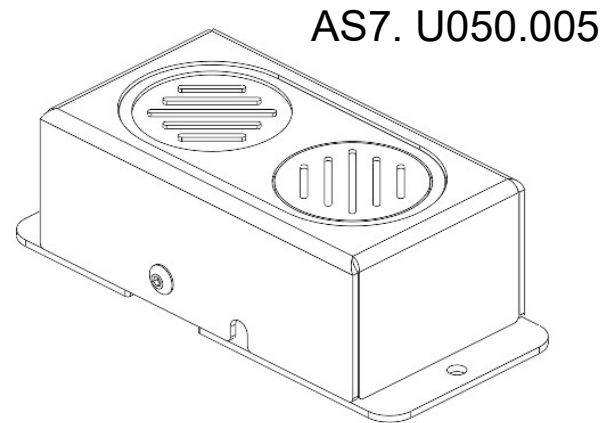
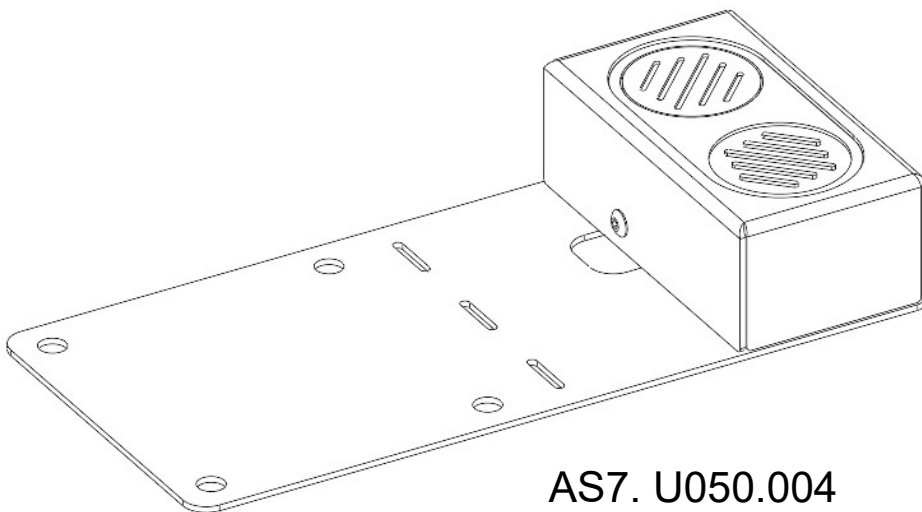




## USB Speaker Mounts

### User Guide

Description	Part Number
USB Speaker with Vesa Bracket	AS7. P055.100
USB Speaker with Universal Mount	AS7. P055.102



[www.precisionmounts.com](http://www.precisionmounts.com)

call us at 1-888-869-7652 | [info@precisionmounts.com](mailto:info@precisionmounts.com)

# Installation Instructions

## AS7.U050.004 - USB Speaker with VESA Bracket

This mount allows you to mount the speaker behind a dock or any device with 75mm VESA mounting pattern.

### Step 1:

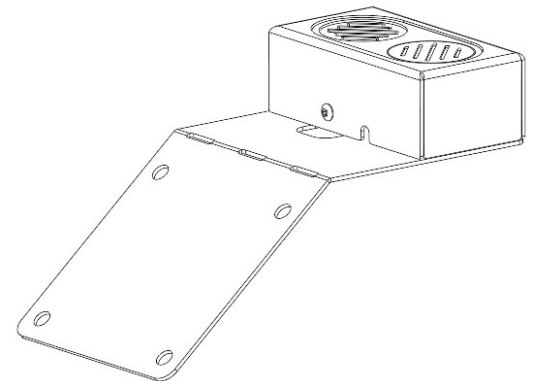
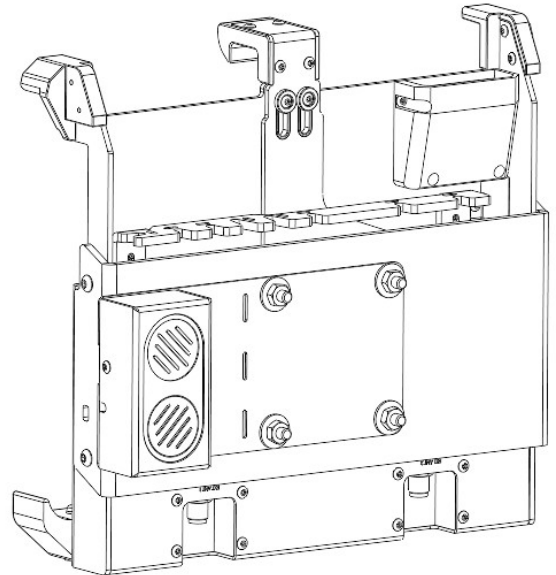
Detach the docking station (with VESA hole pattern) from the existing mount (e.g. clamshell etc.)

### Step 2:

Sandwich the speaker mount between the dock and the mount such that the speaker is facing the desired direction and mounting holes line-up. Secure the dock back to the mount (e.g. clamshell) using the same hardware.

**Note:** The metal plate can also be bent along the slots for better orientation of the speaker.

**Step 3:** Plug the USB port of the speaker into the dock or laptop. Secure the wire to any metal surface using a cable tie.



## AS7.U050.005 - USB Speaker with Universal Mount

This mount allows you to mount the speaker to any flat surface (e.g. console side, console faceplate etc.).

### Step 1:

Lay the speaker on a flat surface at desired location. Make sure the USB port of the speaker can be plugged into the dock or laptop from the desired location. Using the mount as template, drill two #6 clearance holes.

### Step 2:

Using the #6-32 hardware provided, mount the speaker to the surface. Plug the USB port of the speaker into the dock or laptop. Secure the wire to any metal surface using a cable tie.

