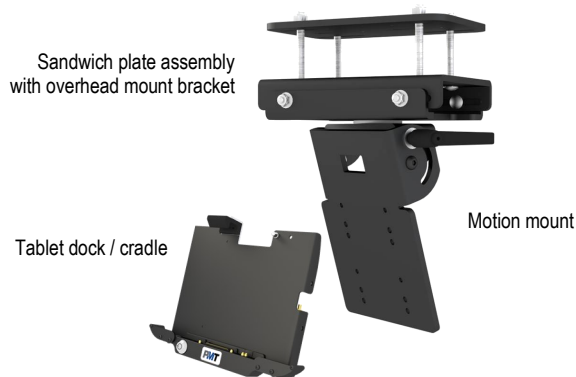
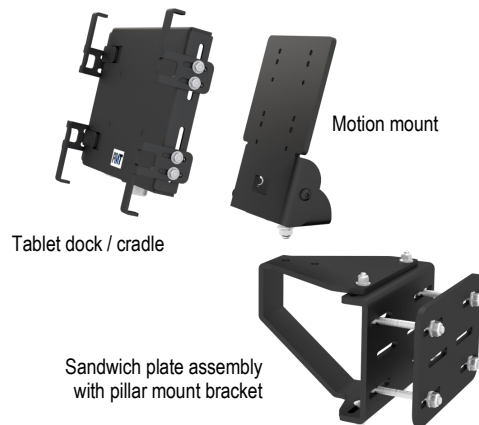


### OVERHEAD MOUNT



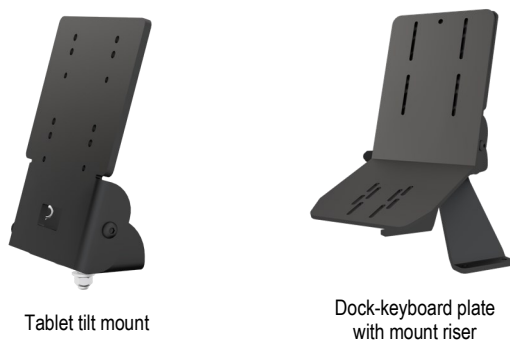
- Attaches to forklift overhead guard plate or lift cage
- Quick and easy installation (drilling not required)
- Slotted hole design provides mounting flexibility
- Variety of motion mounts are available - with tilt, swivel and rotation movements for optimal positioning
- Portrait or landscape orientation
- VESA 75 x 75
- Tablet docks / cradles and universal tablet cradle available for computer mounting flexibility

### PILLAR MOUNT



- Attaches to forklift vertical pillar
- Quick and easy installation (drilling not required)
- Slotted hole design provides mounting flexibility
- Tablet docks / cradles and universal tablet cradle available for computer mounting flexibility
- Motion mounts, extension arms and dock-keyboard mounts are available to attach to pillar mount bracket
- Portrait or landscape orientation
- VESA 75 x 75

### DASH MOUNT



- Attaches directly to forklift dash
- Dock-keyboard plate attaches to tablet tilt mount
- Complete unit attaches to forklift dash with addition of 2", 4" or 6" mount riser

