



TrimLine Vehicle Dock with Flex Lock For GammaTech DURABOOK R11 Tablet Computers

User Guide

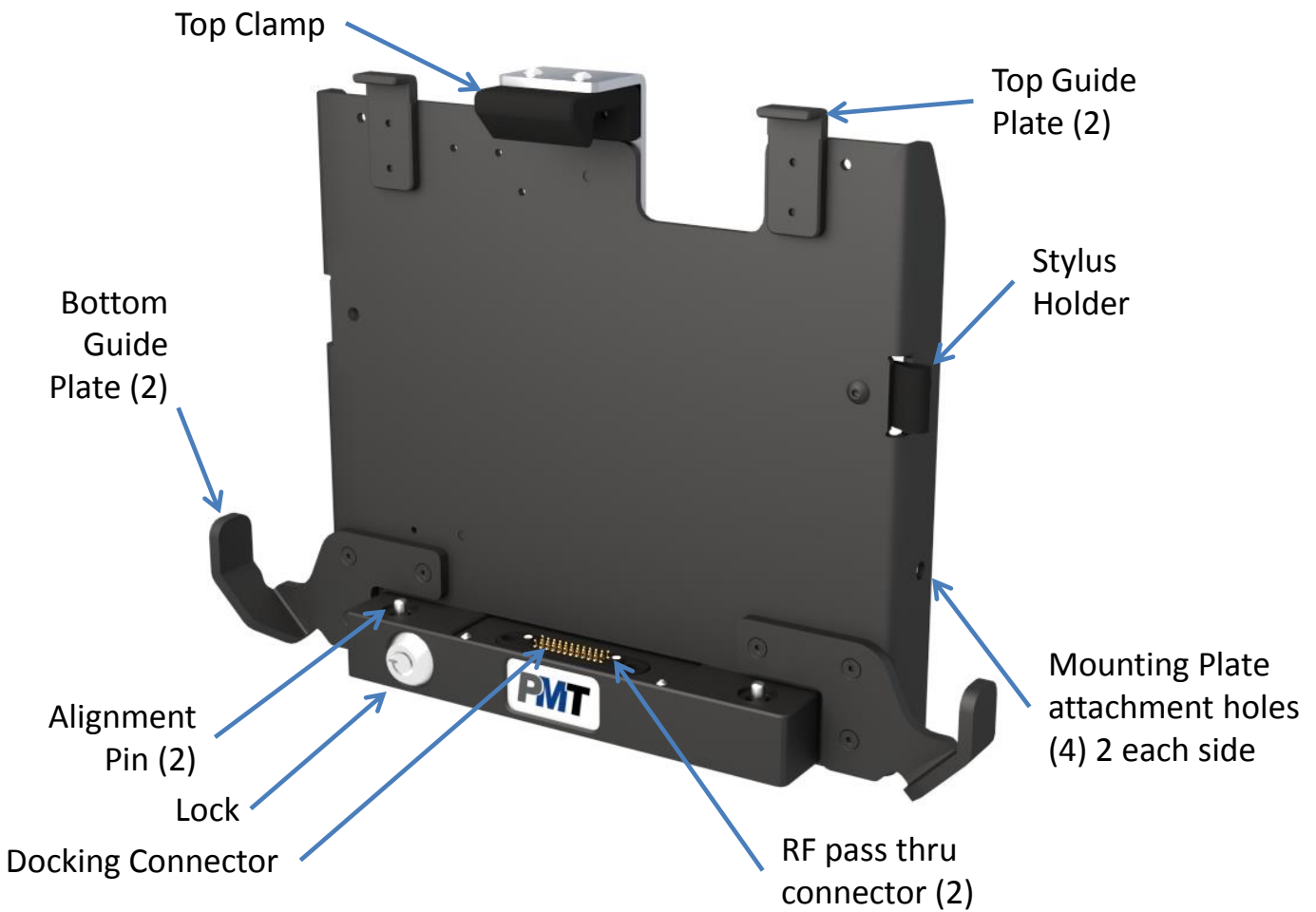
Description	Part Number
R11 Standard DPT Flex Lock Docking Station	AS7.G011.302
R11 Extended DPT Flex Lock Docking Station	AS7.G011.402

Note: Extended docks accommodate extended batteries and hand straps

Note: Pictures in this guide show the standard dock, however the steps and procedures described pertain to both standard and extended docks

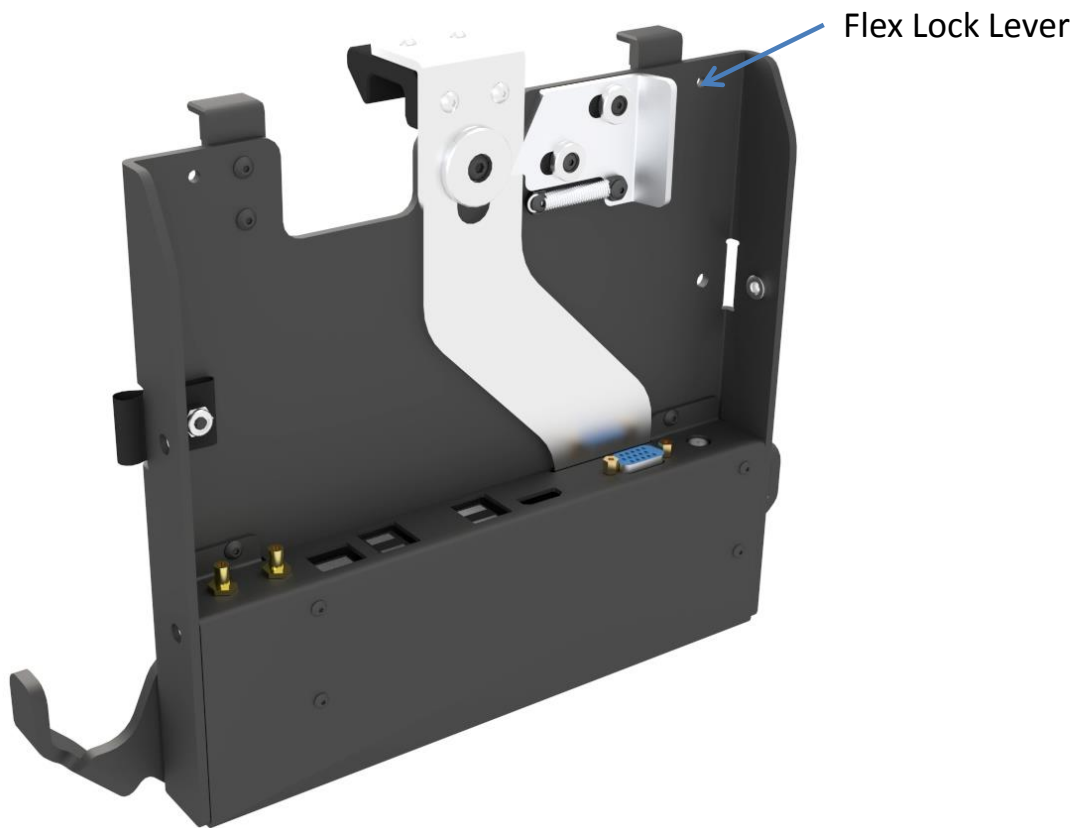
Description of Parts and Layout

Front View



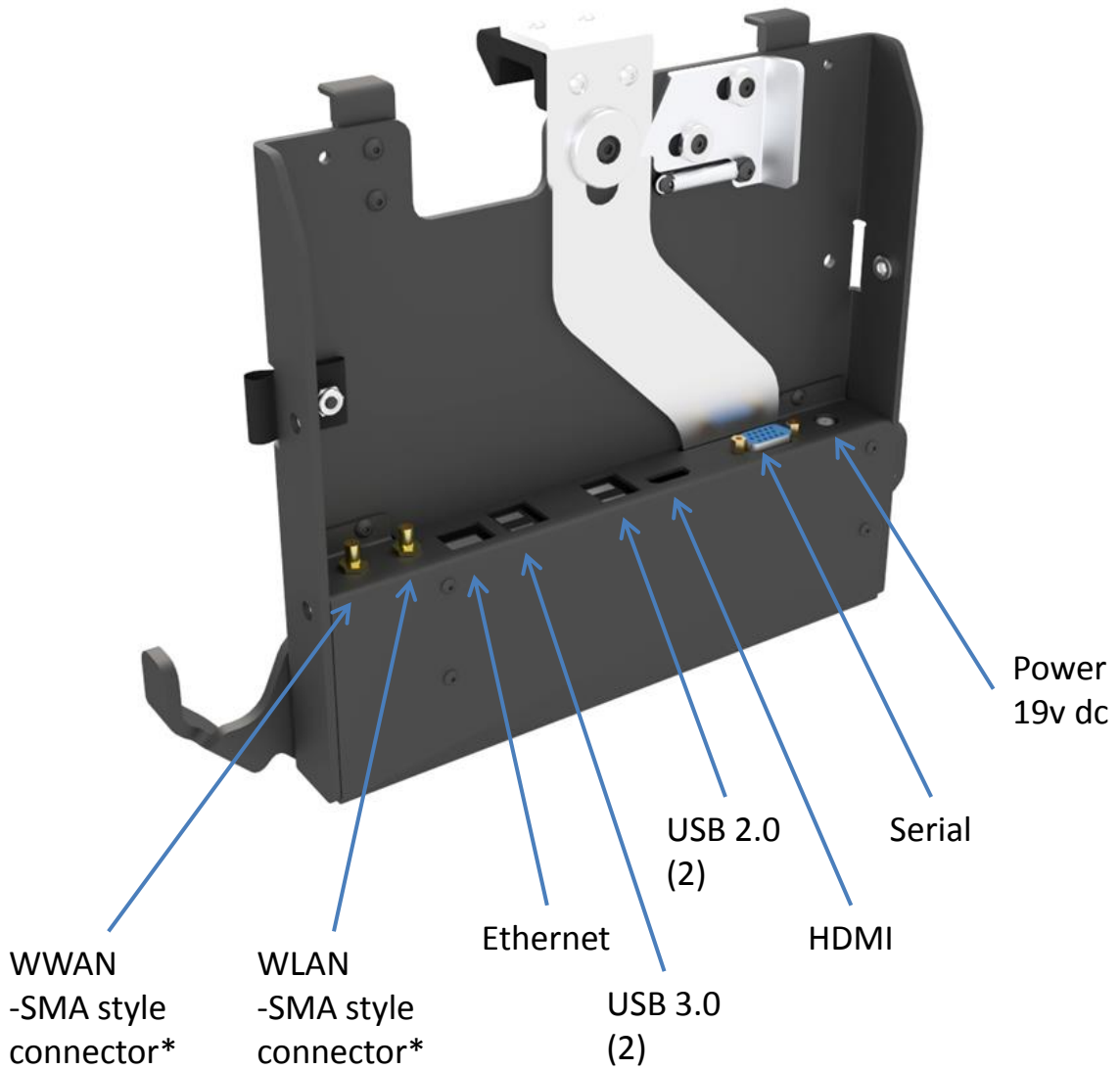
Description of Parts Continued

Rear View



Description of Parts Continued

Rear View



*TNC adapters available

Inserting the Tablet



Step 1:

Ensure the dock is unlocked

To unlock insert key and rotate to the horizontal (unlocked) position and remove the key



Step 2:

Pull the Flex Lock Lever towards the outside of the dock

The Top Clamp will spring up to the open position to allow easy tablet docking



Step 3:

Insert the tablet bottom first and carefully align the tablet onto the alignment pins using the bottom guide plate for positioning

Inserting the Tablet Continued



Step 4:

Press the tablet back into the dock so that it is held in place by the top guides.



Step 5:

Push the Top Clamp down until it clicks.

The Flex Lock lever will auto-engage and the tablet is now secure in the dock and ready for use



Step 6:

For added theft deterrence you may now insert the key and rotate to vertical (locked) position, then remove the key

Removing the Tablet



Step 1:
Ensure the dock is unlocked

To unlock insert key and to the horizontal (unlocked) position and remove the key



Step 2:
Pull the Flex Lock Lever towards the outside of the dock

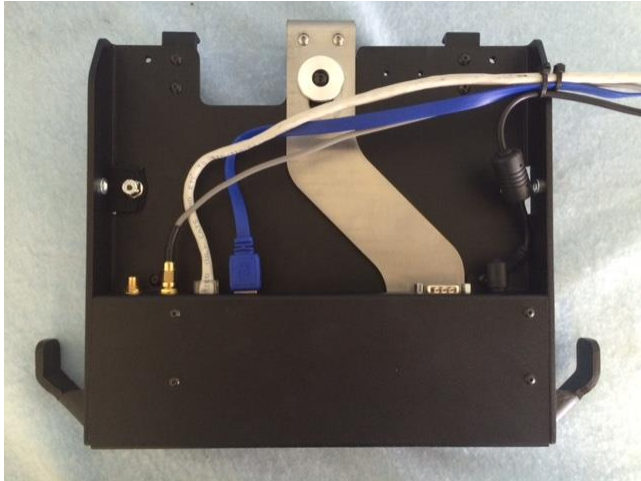
The Top Clamp will spring up to the open position to allow easy tablet removal



Step 3:
Tilt the top of the computer out and past the Top Clamp, then remove from the dock.

The dock can now be left as is making re-docking of the tablet even easier

Wiring/Cable Management

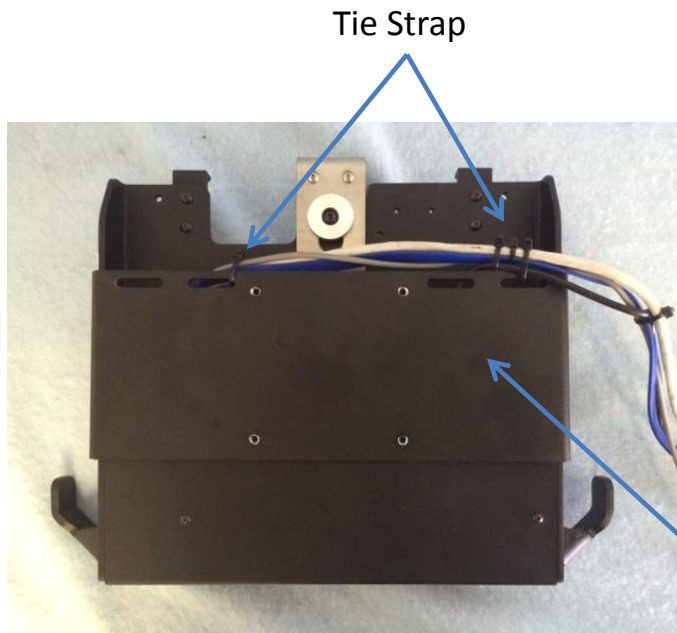


Connect all cables securely to dock connections, and use tie straps to secure cables to the built-in slots on the mounting/interface plate.

Wiring Tip:

PMT does not recommend relying on a cigarette socket adaptor for powering vehicle docks. We recommend hard wiring using a good clean ground direct from the vehicle battery (-) post, and (+) supply from a fused 12v location also directly from the vehicle battery. All Peripherals connecting to the docking station should get power and ground from the same location as the dock.

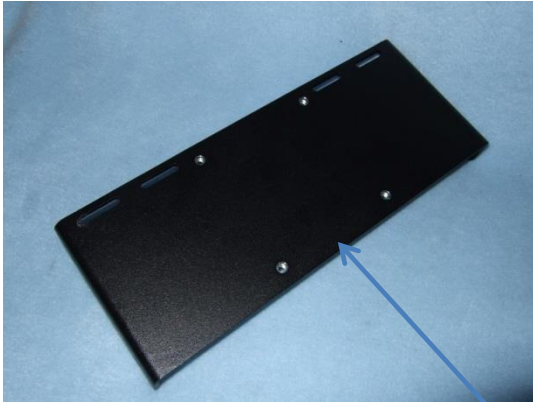
Visit www.precisionmounts.com/installation-instructions.html for a copy of our general wiring and troubleshooting guide



Tie Strap

PMT VESA 75mm x 75mm
mounting/interface plate

Mounting



Once you have attached all cables needed to the vehicle dock, attach the mounting/interface plate to the dock using the 4 supplied 10-24 UNC screws as shown



Description	Part Number
PMT VESA 75mm x 75mm mounting/interface plate	AS7.P001.001



The standard mounting/interface plate that comes with the PMT G1 TrimLine vehicle dock features an industry standard VESA 75mm x 75mm bolt pattern. This allows easy mounting to many pre-existing mounts as well as dedicated mounts from PMT. The screws needed for this are M4 x 12mm.



For more info visit: www.precisionmounts.com

Or call us at 1-888-869-7652
info@precisionmounts.com